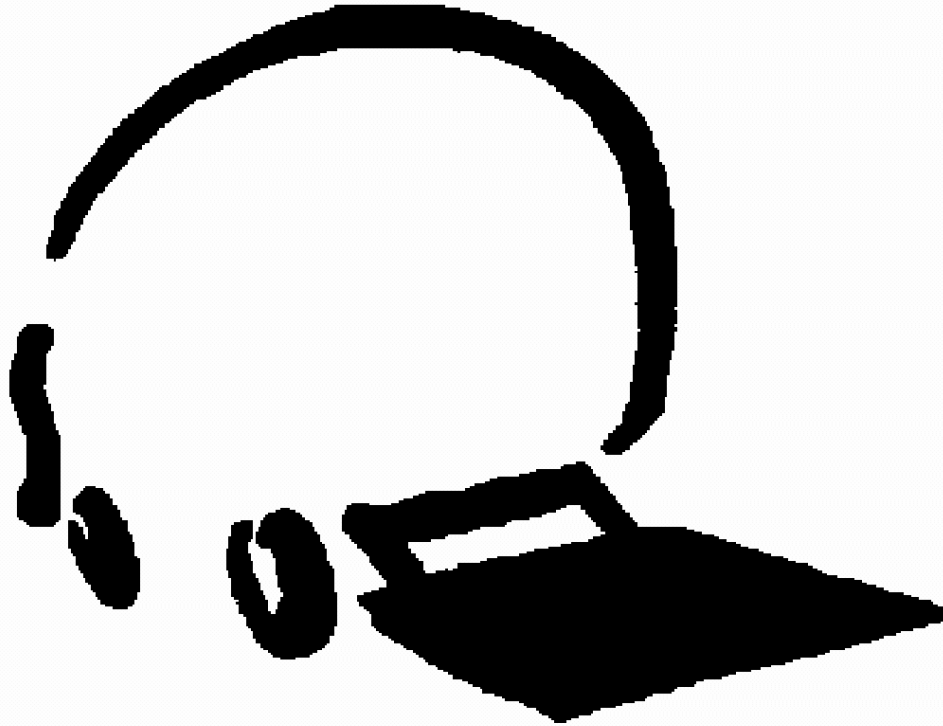


INTERLIFT



ILM PARTS MANUAL

INTERLIFT, INC. a member of MBB

15939 Piuma Ave., Cerritos, CA 90703 Tel (562) 924-8218 Fax (562) 924-8318
Visit our website at www.interlift.net for up to date information and
notifications

If you received this product with damaged or missing parts, contact Interlift at 562-924-8318

11/28/2006

Introduction

Each Interlift liftgate is manufactured to stringent quality standards for years of reliable service. To ensure maximum performance of your Interlift liftgate, always specify and use “OEM Parts” from Interlift.

This manual is a complete parts listing for ILM liftgates from 1200 lb. to 3000 lb. capacity. We have provided charts and diagrams to make the selection of the correct part as easy as possible.

This manual does not provide procedures for the servicing and repair of an Interlift liftgate. Service and repair should only be performed by an authorized Interlift distributor. For information on the nearest authorized Interlift distributor contact:

INTERLIFT, INC. a member of MBB.

15939 Piuma Ave
Cerritos, CA 90703
Tel (562) 924-8218
Fax (562) 924-8318

www.Interliftlift.net

** The use of non-standard or makeshift parts can be extremely hazardous and result in serious injury or death.*

Table of Contents

Introduction.....2

General Information.....4

Ordering Information.....5

Key Components6

H-Frame - Above Floor (AF).....7

H-Frame - Standard.....8

Internal H-Frame Components (Including Above Floor)9

Platform10

Electrical Components.....11

Slider Assembly.....12

Cylinder Assembly.....13

Hydraulic Power Unit Assembly.....14

Light Option15

Power Close Option.....16

Decals.....17

Help and Service18

General Information

MODEL NUMBER CODING

The code and model numbers of a liftgate are references to its size, type and capacity. Using these numbers when ordering or specifying improves customer satisfaction and delivery.

Model Number: **ILM209436AF**

ILM	20	94	36	AF
1	2	3	4	5

1. **LIFTGATE TYPE**
ILM = Medium Duty Liftgate

2. **WEIGHT CAPACITY**
 12 = 1250 lb. capacity
 16 = 1600 lb. capacity
20 = 2000 lb. capacity
 30 = 3000 lb. capacity

3. **WIDTH OF LIFTGATE FROM OUTSIDE OF LEFT RAIL TO OUTSIDE OF RIGHT RAIL**
 78 = 78" overall width
94 = 94" overall width

4. **DEPTH OF PLATFORM** (not including ramp)
 30 = 30" of platform loading area
36 = 36" of platform loading area
 42 = 42" of platform loading area
 48 = 48" of platform loading area
 54 = 54" of platform loading area
 60 = 60" of platform loading area

5. **STANDARD FLOOR HEIGHT UP TO 56" OR ABOVE THE FLOOR LIFT UP TO 56"***
 A = Aluminum Platform
AF = Above Floor
 AFA = Above Floor Aluminum Platform
 Blank = Standard liftgate

*ILM12 STANDARD FLOOR HEIGHT UP TO 46" OR ABOVE THE FLOOR LIFT UP TO 56"

Ordering Information

STEP 1 Determine the assembly on which the desired part is located using either the Table of Contents (page 2) or the Key Components diagram (page 5)

STEP 2 Identify the Item number from the appropriate part in the assembly diagram.

STEP 3 Locate the appropriate row listing the Item number in the table below the assembly diagram.

ITEM #	DESCRIPTION	ILM16	ILM20	ILM30
1	SPROCKET	20013		30007
2	PIN, SPROCKET		20016	
3	PIN RETAINER		20018	

STEP 4 Locate the column in the table that matches your model liftgate.

ITEM #	DESCRIPTION	ILM16	ILM20	ILM30
1	SPROCKET	20013		30007
2	PIN, SPROCKET		20016	
3	PIN RETAINER		20018	

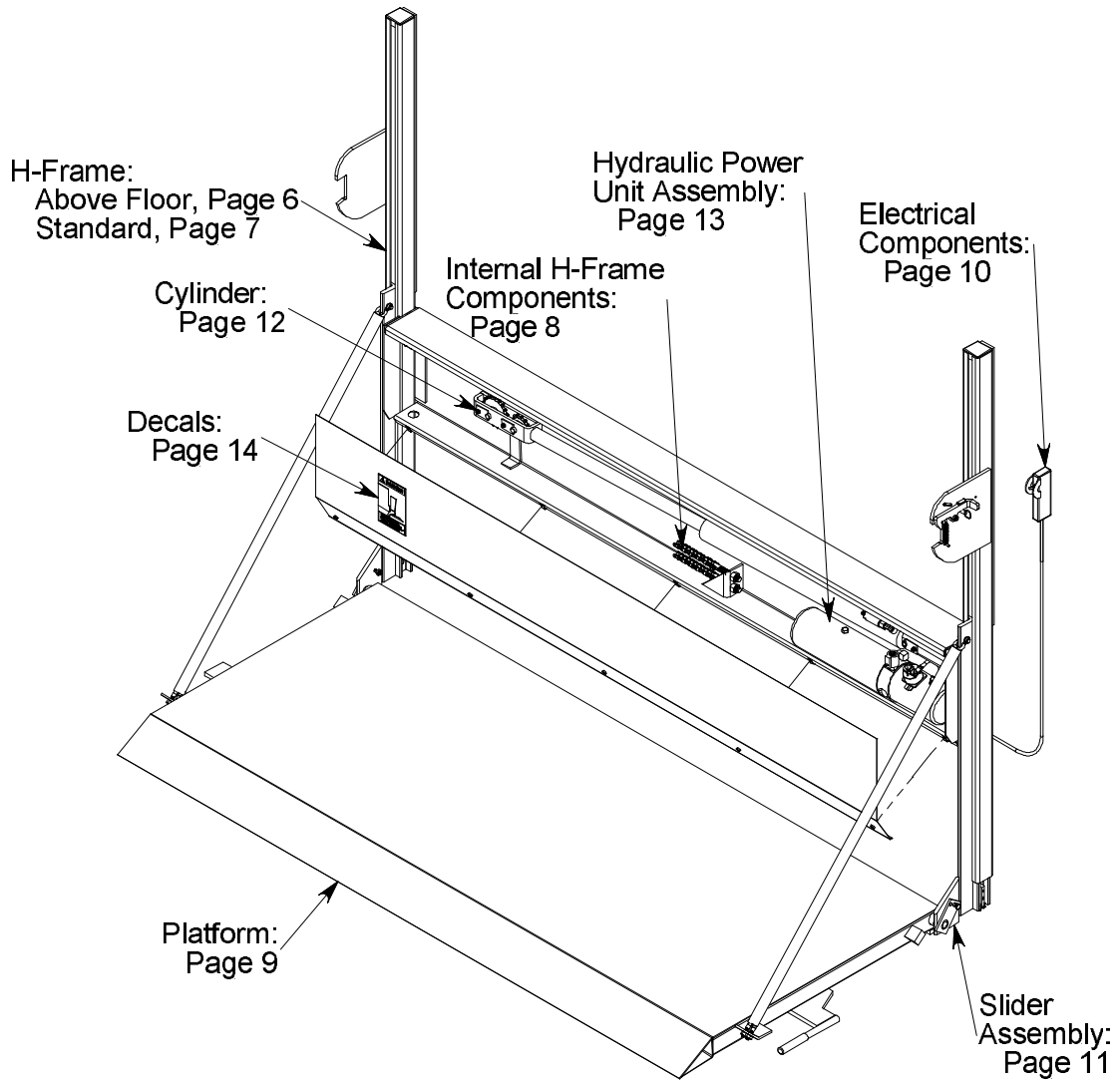
STEP 6 Find the correct part number.

ITEM #	DESCRIPTION	ILM16	ILM20	ILM30
1	SPROCKET	20013		30007
2	PIN, SPROCKET		20016	
3	PIN RETAINER		20018	

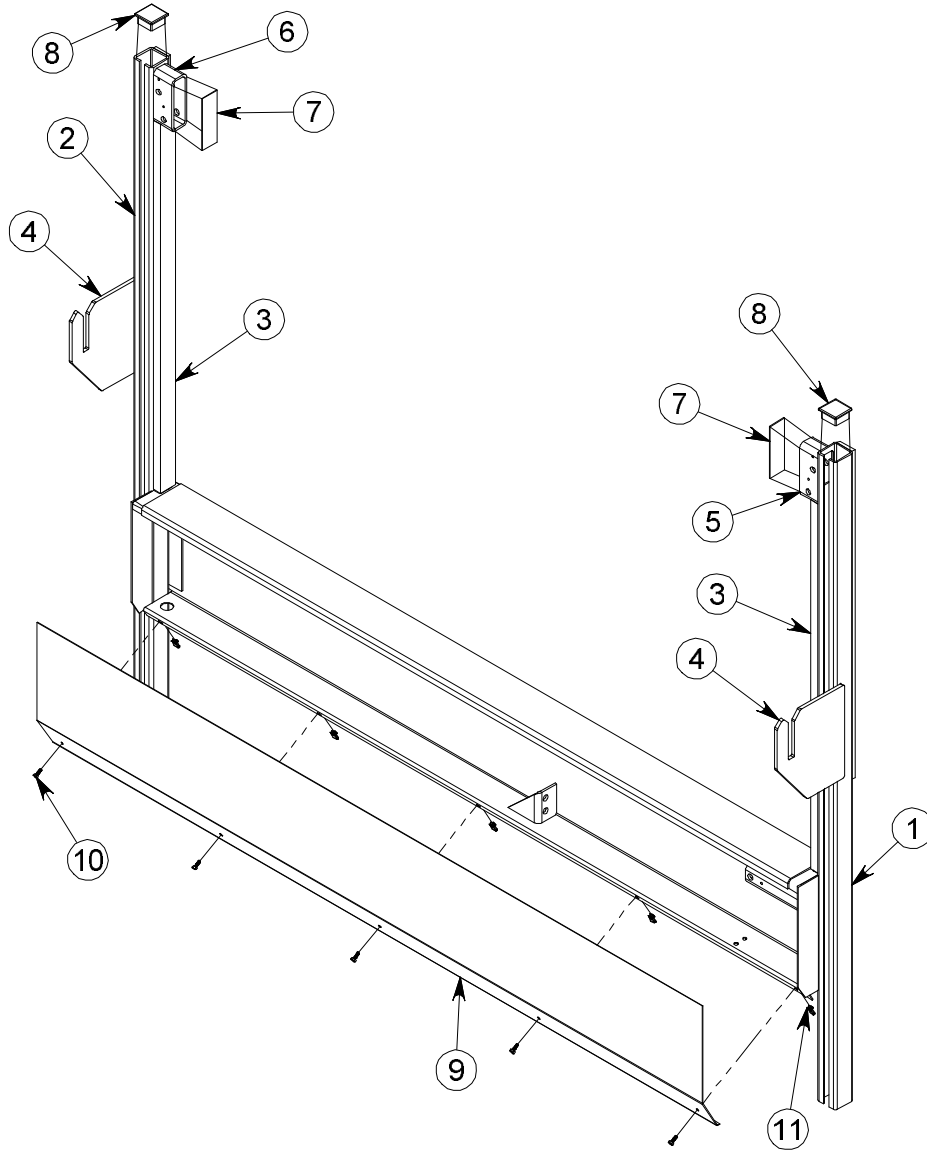
STEP 7 Order the part

Model Number: ILM209436AF
 Part Name: Sprocket
 Quantity Required: 1
 Part Number: 20013

Key Components

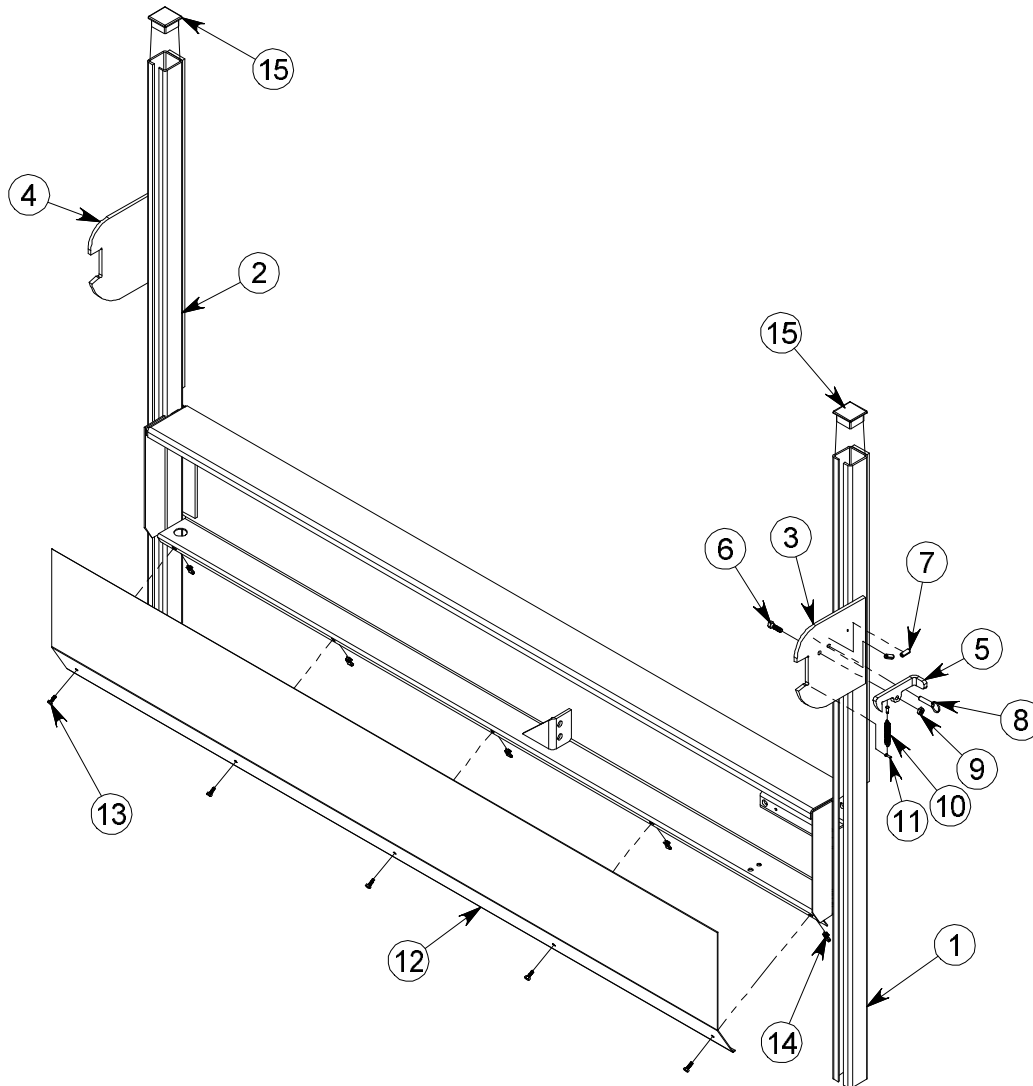


H-Frame - Above Floor (AF)



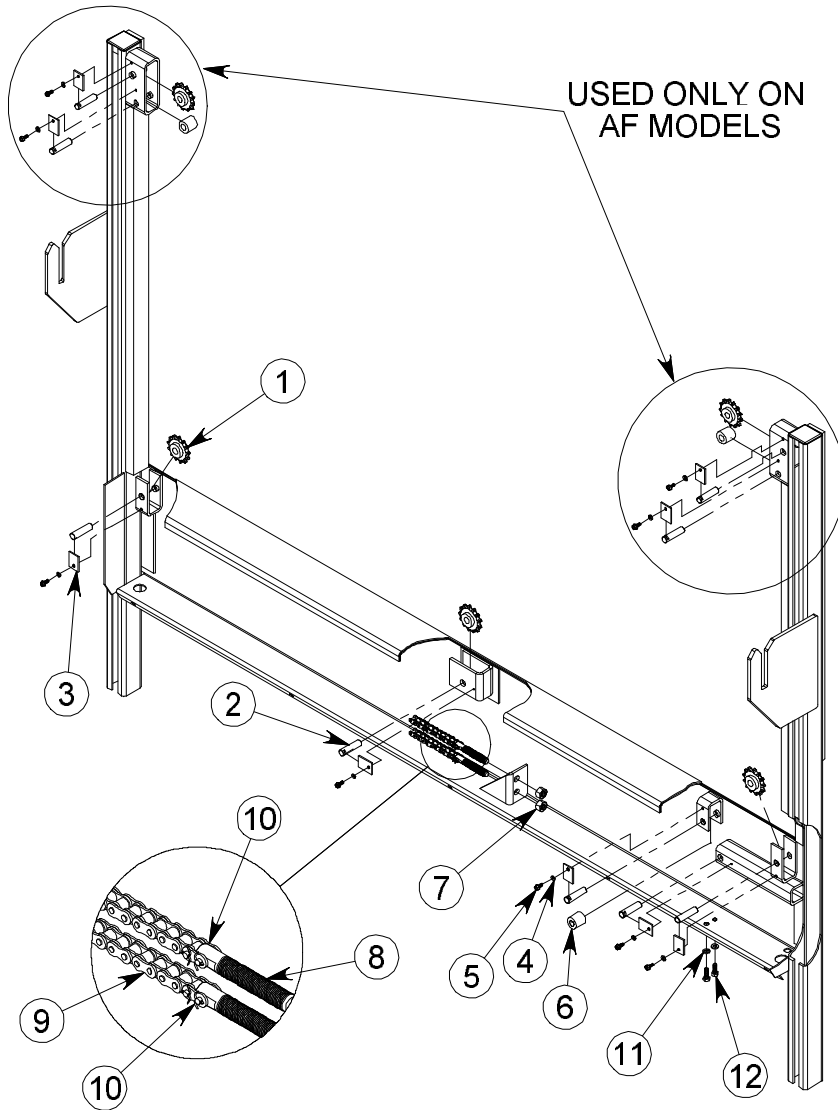
ITEM #	DESCRIPTION	ILM 1278	ILM 1294	ILM 16	ILM 20	ILM 30	QTY
	ENTIRE H-FRAME ASSY	12284	12285	16359	20369	20369	1
1	TRACK, RH			20082			1
2	TRACK, LH			20083			1
3	CHAIN COVER			16085			2
4	TRAVEL PLATE	10007			16152		2
5	SPROCKET BOX, AF, RH			20080			1
6	SPROCKET BOX, AF, LH			20081			1
7	COVER, SPROCKET BOX, AF			20079			2
8	RAIL CAP			12045			2
9	HOUSING COVER	12058			20029		1
10	BOLT			20038			5
11	TINNERMAN CLIP			20049			5

H-Frame - Standard



ITEM #	DESCRIPTION	ILM1278	ILM1294	ILM16	ILM20	ILM30	QTY
	ENTIRE H-FRAME ASSY	12282	12283	16358	20368	20368	1
1	TRACK, RH			20054			1
2	TRACK, LH			20055			1
3	TRAVEL PLATE ASSEMBLY, RH	10007		20048			1
4	TRAVEL PLATE, LH	10007		20051			1
5	SNAP LOCK LATCH	N/A		20039			1
6	BOLT	N/A		10085			1
7	ROLL PIN	N/A		10194			2
8	AIRCRAFT PIN	N/A		16148			1
9	NUT	N/A		20010			1
10	SPRING	N/A		20047			2
11	CLEVIS PIN	N/A		20161			2
12	HOUSING COVER	12058		20029			1
13	BOLT			20038			5
14	TINNERMAN CLIP			20049			5
15	RAIL CAP			12045			2

Internal H-Frame Components (Including Above Floor)



ITEM #	DESCRIPTION	ILM12	ILM16	ILM20	ILM30	QTY	
						STD	AF
1	SPROCKET, WITH BEARING		20013		30007	3	5
2	PIN, SPROCKET		20016			3/4*	8/9*
3	PIN RETAINER, SPROCKET		20018			3/4*	8/9*
4	WASHER		10256			3/4*	8/9*
5	SCREW, SELF TAPPING		10255			3/4*	8/9*
6	ROLLER, NYLON		20367			0	3
7	BOLT, CHAIN ANCHOR		20007		30003		2
8	NUT, CHAIN ANCHOR		20090				2
9	CHAIN, ROLLER		20044		30021		2
10	CHAIN, MASTER LINK		20010		30004		2
11	WASHER		10092				2
12	BOLT		20211				2

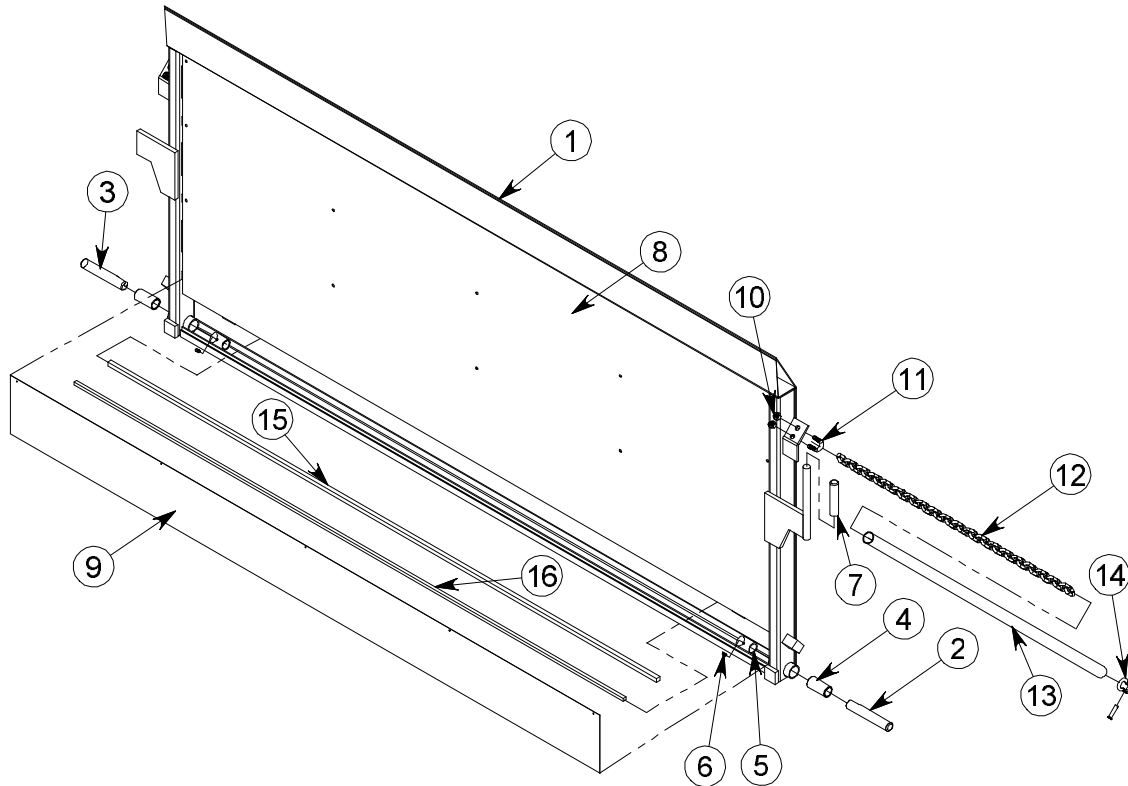
* DL12 & DL16 / DL20 & DL30

Platform

Platforms are available in many different sizes, material types, and special options. The chart below is given for general reference only.

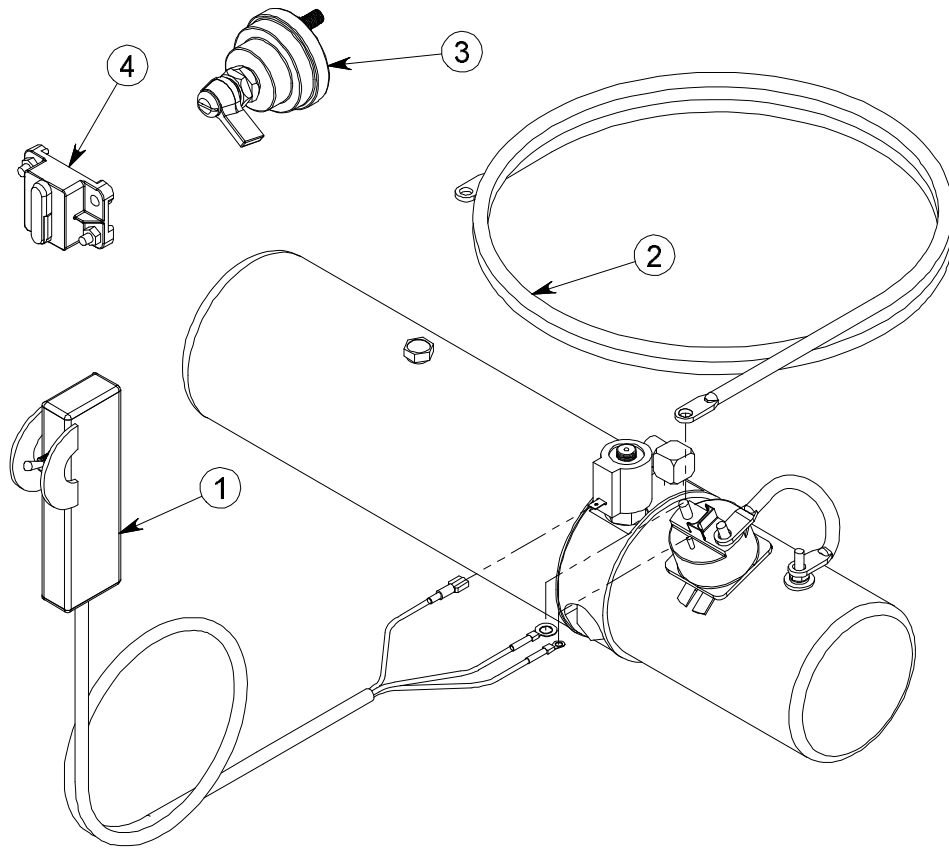
When ordering replacement platform sections, please provide the following information:

Platform Size Depth, Width, Thickness
 Material Type Steel, Aluminum
 Ramp Type Fixed, Flip, Auto Cart Stop



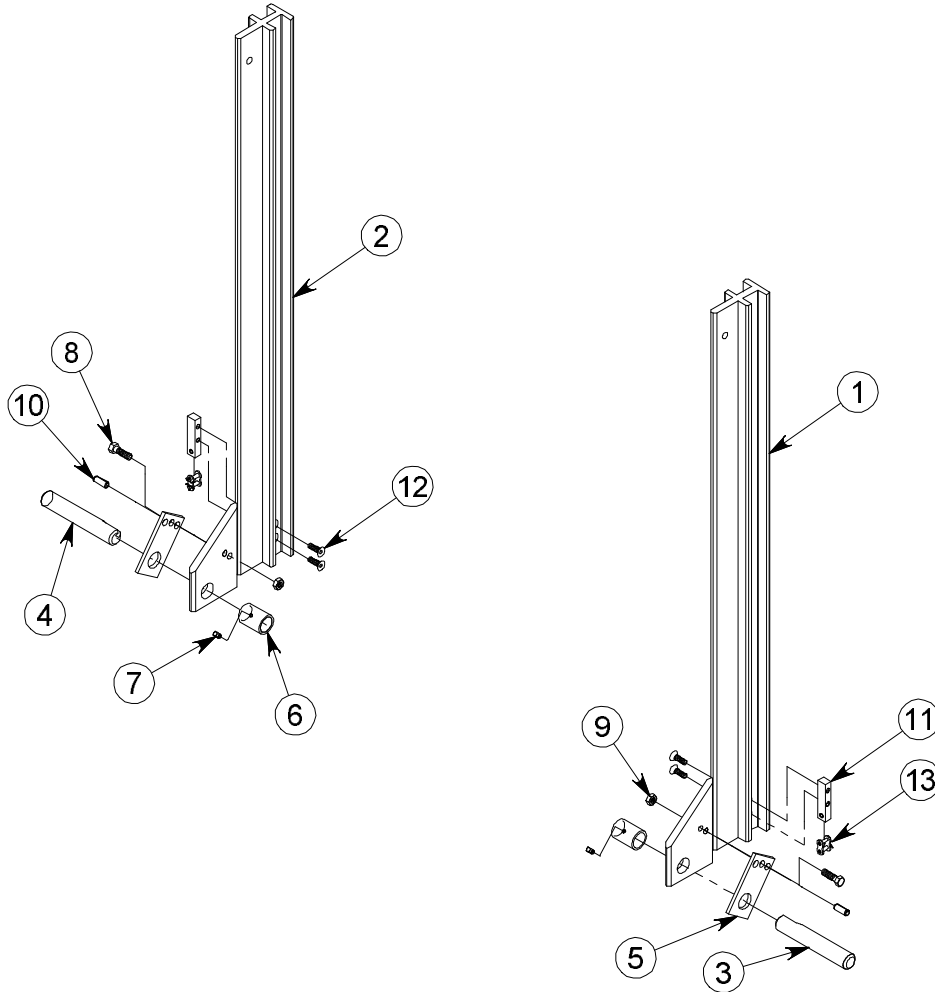
ITEM #	DESCRIPTION	73"X30"	89"X30"	89"X36"	89"X42"	73"X30"	89"X30"	89"X36"	89"X42"	89"X48"	89"X54"	89"X60"	QTY
		STEEL	STEEL	STEEL	STEEL	ALUM	ALUM	ALUM	ALUM	ALUM	ALUM	ALUM	
1	ENTIRE PLATFORM												1
2	HINGE PIN, RH	16494	16494	16495	16495	16494	16494	16494	16495	16207	16207	20265	1
3	HINGE PIN, LH	16494	16494	16494	16495	16494	16494	16494	16494	16207	16207	20265	1
4	BUSHING												2
5	COLLAR, HINGE PIN												2
6	SCREW, SQUARE HEAD												2
7	HANDLE, RUBBER	N/A		20292*					N/A				1
8	COVER, BILLBOARD	11089	11098	11096	11097				N/A				1
9	COVER, TORSION BAR	11101		12000					20174				1
10	NUT								16200				2
11	U-BOLT								16199				2
12	SIDE CHAIN	20213		20213		20213	20213						2
		31 LINKS		38 LINKS*									
13	CHAIN SLEEVE	12382		16382*		12382			16382				2
14	SHACKLE								20216				4
15	TOSION BAR	20037	20237	20241	20241	20037	20237	20237	20241	20241	20241	20245	2
16	TORSION BAR	20037	20237	20237	20241	20037	20237	20237	20237	20241	20241	20245	2

Electrical Components



ITEM #	DESCRIPTION	PART #	QTY
1	TOGGLE SWITCH ASSEMBLY	10179	1
2	CABLE, BATTERY	16369	1
3	MASTER DISCONNECT SWITCH	20450	1
4	CIRCUIT BREAKER	20453	1

Slider Assembly



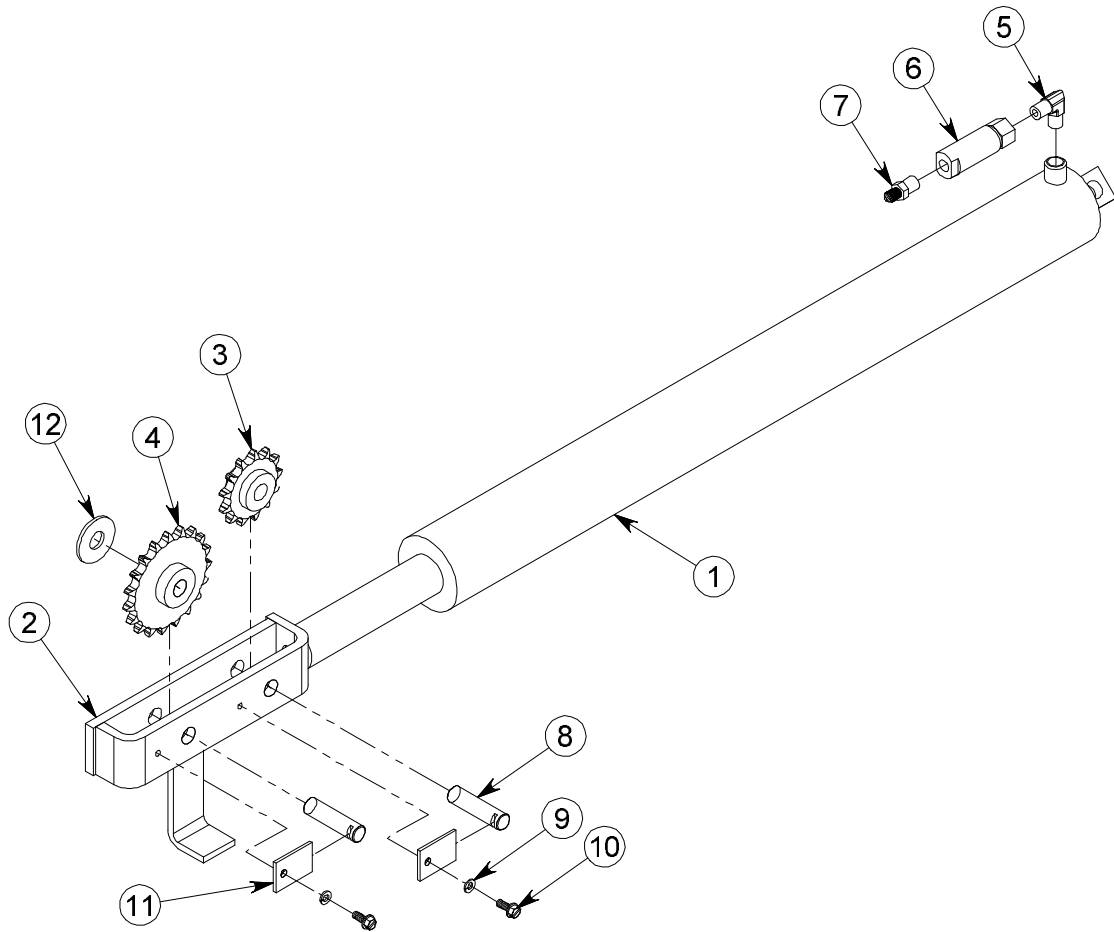
ITEM #	DESCRIPTION	ILM12		ILM16-ILM30					QTY	
		73"X30"	89"X30"	89"X30"	89"X36"	89"X42"	89"X48"	89"X54"		89"X60"
1	SLIDER ASSEMBLY, RH	12054*		20535*			16007*		1	
2	SLIDER ASSEMBLY, LH	12055*		20536*			16008*		1	
3	HINGE PIN, RH	16494	16494	16494	16494	16495	16207	16207	20265	1
4	HINGE PIN, LH	16494	16494	16494	16494	16494	16207	16207	20265	1
5	LOCKING TAB	12208						16208		1
6	COLLAR, HINGE PIN	12213						20205		1
7	SCREW, SQUARE HEAD				20212					8
8	BOLT				10085					8
9	NUT				20210					2
10	ROLL PIN				10194					2
11	TERMINATION BLOCK				20006**					4
12	SCREW, TERMINATION BLOCK				10006					2
13	CHAIN, MASTER LINK				20010**					2

*THE SLIDERS ARE REVERSED IN ABOVE FLOOR MODELS

**ILM30'S RECEIVE THE FOLLOWING:

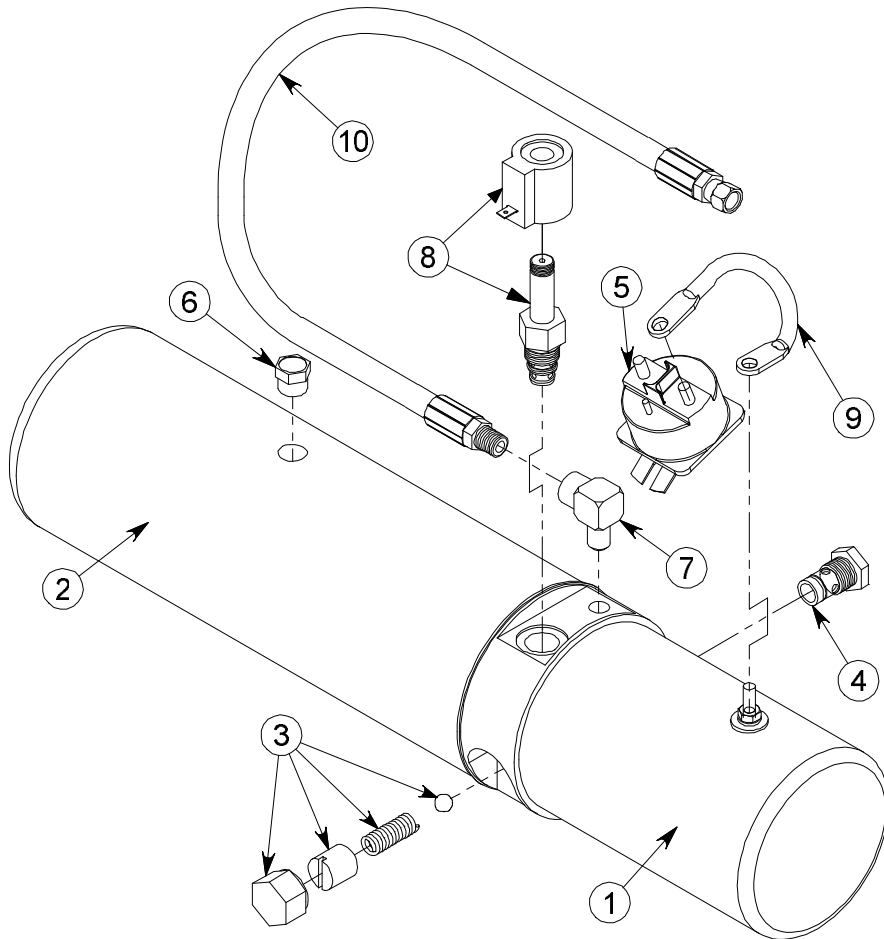
11	TERMINATION BLOCK	30002
13	CHAIN, MASTER LINK	30004

Cylinder Assembly



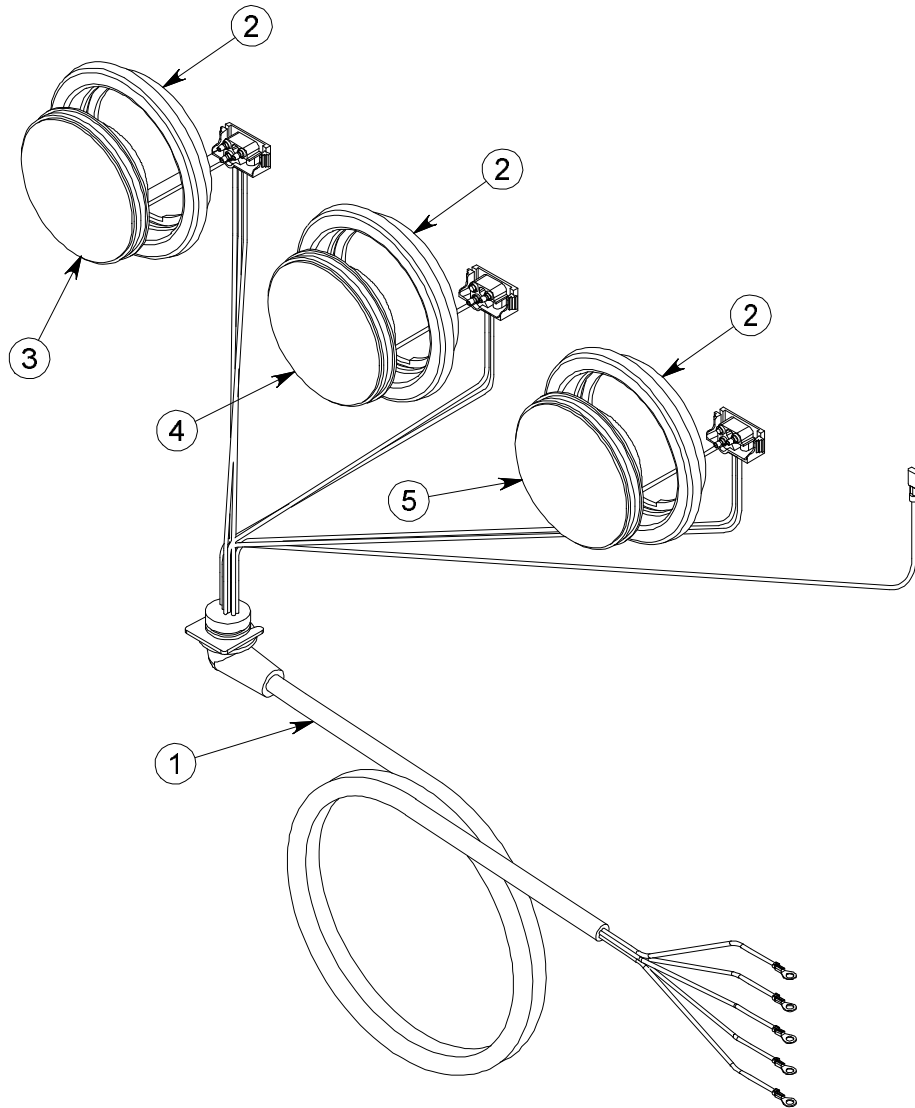
ITEM #	DESCRIPTION	ILM12 STD	ILM12 AF & ILM16	ILM20	ILM30	QTY
	COMPLETE CYLINDER ASSEMBLY	10123	20578	16216	30117	1
1	CYLINDER	2" X 22½" 12133	2" X 27" 16132	2½ X 27" 40111		1
2	CYLINDER HEAD		10109		20111	1
3	SPROCKET, SMALLER, WITH BEARING		20013		30107	1
4	SPROCKET, LARGER, WITH BEARING		20108		30106	1
5	FITTING, 90° MALE NPT		20473			1
6	FLOW CONTROL		25182		25183	1
7	FITTING, STRAIGHT, NPT-JIC		25021			1
8	PIN, SPROCKET		20016			2
9	WASHER, LOCK		10256			2
10	SCREW, SELF TAPPING		10255			2
11	PIN RETAINER, SPROCKET		20018			2
12	WASHER		20017			1

Hydraulic Power Unit Assembly



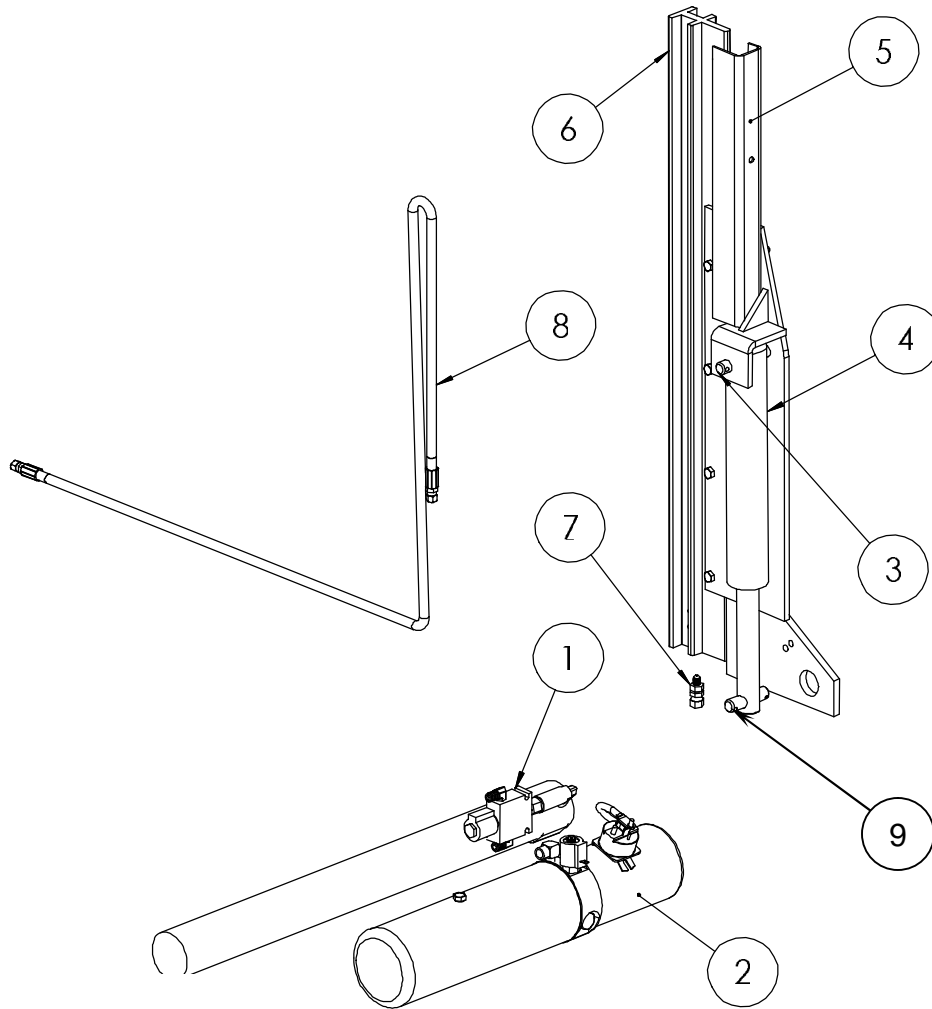
ITEM #	DESCRIPTION	ILM12	ILM16 TO ILM30	QTY
	POWER UNIT ASSEMBLY	DB1462 20622	DB1436 20717	1
1	MOTOR,		25163	1
2	RESERVOIR	12215	25480	1
3	VALVE, RELIEF		68226	1
4	VALVE, CHECK		25477	1
5	SOLENOID, 12VDC		20722	1
6	BREATHER		12291	1
7	FITTING, 90°		20483	1
8	VALVE, RELEASE		10137	1
9	CABLE, SOLENOID		10022	1
10	HOSE, HIGH PRESSURE		10044	1

Light Option



ITEM #	DESCRIPTION	4 LIGHT	6 LIGHT	QTY
	LIGHT KIT ASSEMBLY	16075	16076	2
1	LIGHT HARNESS	16093	16105	2
2	GROMMET, TAIL LIGHT		16059	4/6
3	LIGHT, RED		16062	1
4	LIGHT, YELLOW	N/A	16063	1
5	LIGHT, WHITE		16061	1

Power Close Option

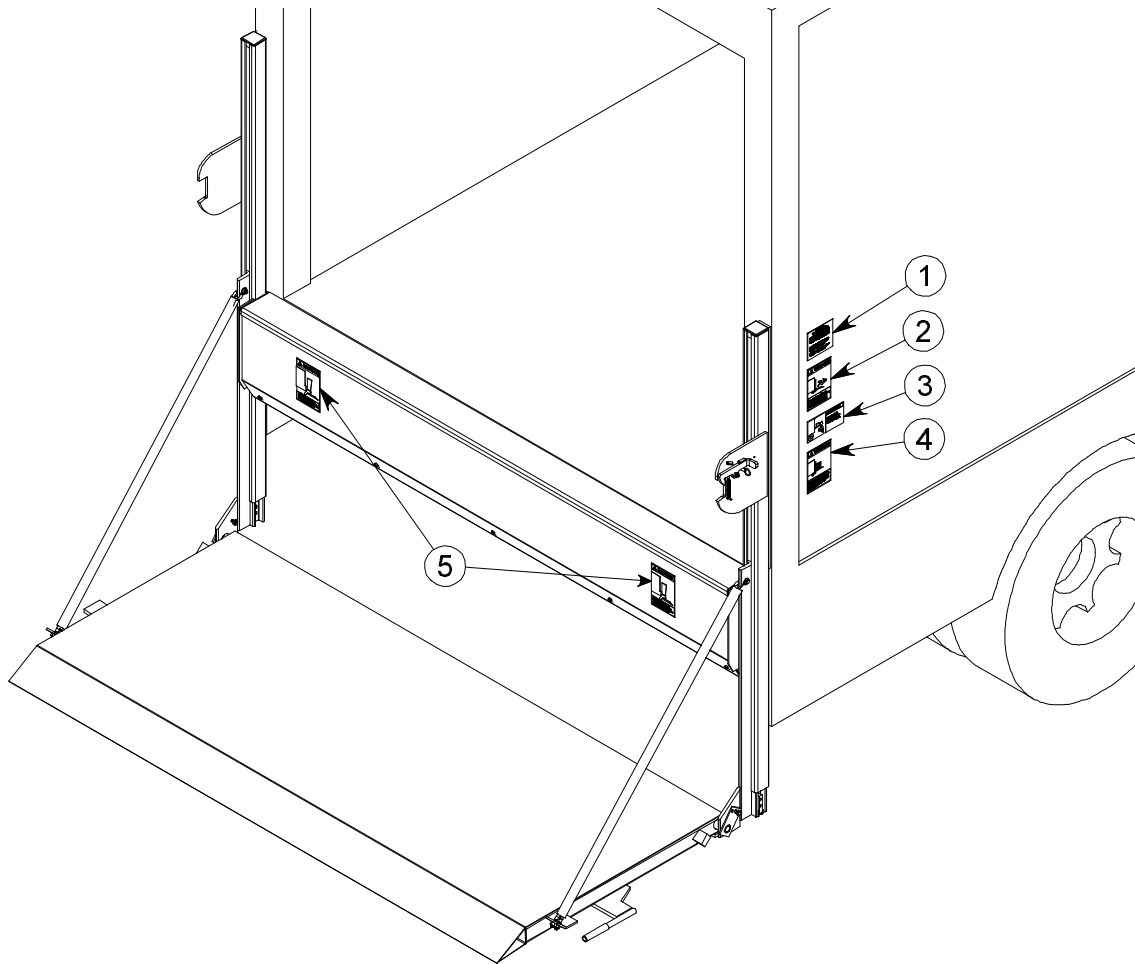


ITEM #	DESCRIPTION	ILM1278	ILM1294	ILM16	ILM20	ILM30	QTY
1	SELECTOR VALVE			20895			1
2	POWER UNIT			20717			1
3	PIN, 3/4", UPPER			20880			1
4	CLOSING CYLINDER			20896			1
5	HOSE GUARD			20882			1
6	SLIDER ASSY, RH, PCGO			20906			1
7	BULK HEAD FITTING			20889			1
8	HIGH PRESSURE HOSE, 1/4			20893			1
9	PIN, 3/4", LOWER			20881			1

Decals

Properly placed warning decals are an essential part of your safety program. Check that all safety decals are in place and are legible. Any missing decals **MUST** be replaced immediately. Replacement decals may be obtained **FREE** of charge from your distributor or by phoning, writing, or faxing us.

Following are the proper decals that you should have and their proper locations:



PART #	DESCRIPTION	ILM12	ILM16	ILM20	ILM30	QTY
1	URGENT WARNING		16181			1
2	WARNING, AVOID RIDING		16182			1
3	WARNING, KEEP CLEAR		20425			1
4	WARNING, MAX. CAPACITY	16178	16179	16180	16185	2
5	DANGER, LIFTGATE CAN CRUSH		20413			2

Help and Service

With careful maintenance and operation your liftgate should give you years of trouble free use. If a problem does develop, contact your liftgate distributor. They are best equipped to service your liftgate.

If you have suspected warranty problems, contact the distributor from whom you purchased the liftgate. They will normally process your claim from start to finish.

Your distributor will repair your liftgate and get you on the road as quickly as possible. They may invoice you for this service. If the problem is found to be warrantable by Interlift., Interlift will issue your Distributor a credit, which should then be credited back to you.