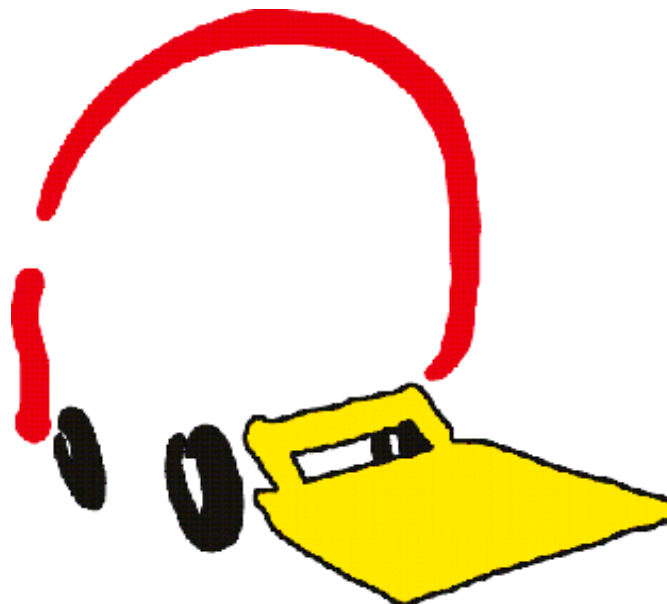




ILF 33, 44, 55

Auto- Fold

PARTS BREAK DOWN



[Interlift Inc. dba MBB Palfinger](#)

15939 Piuma Ave, Cerritos, CA 90703 TEL. (888)-774-5844 FAX. (562)-924-8318
572 Whitehead Road, Trenton, NJ 08619 TEL.(609)-587-4200 FAX.(609)-587-4201

DATE: 10/15/2010

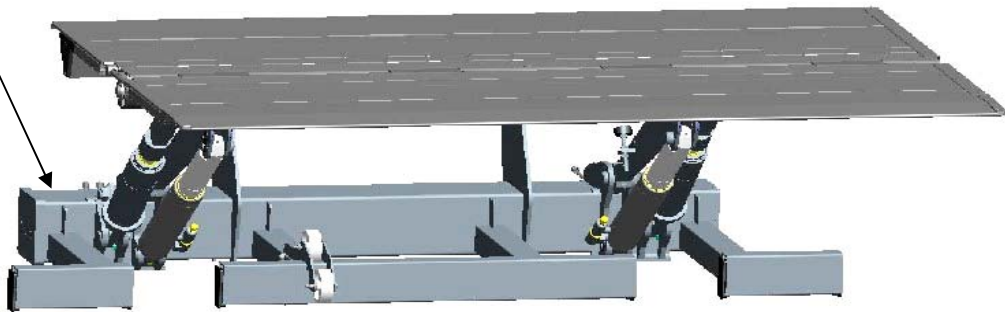
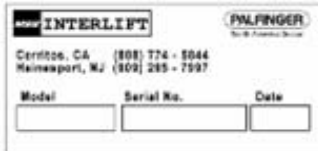
REVISION: 1

ILF INDEX

ILF - liftgate

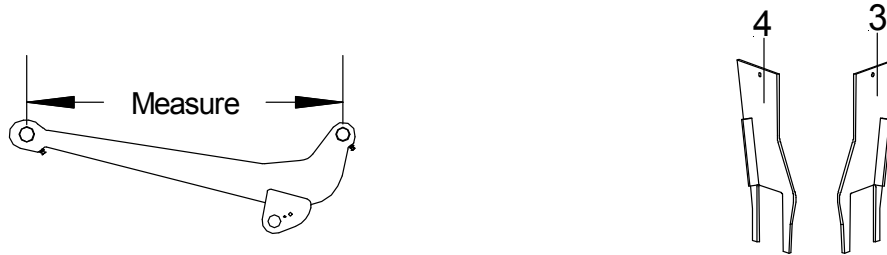
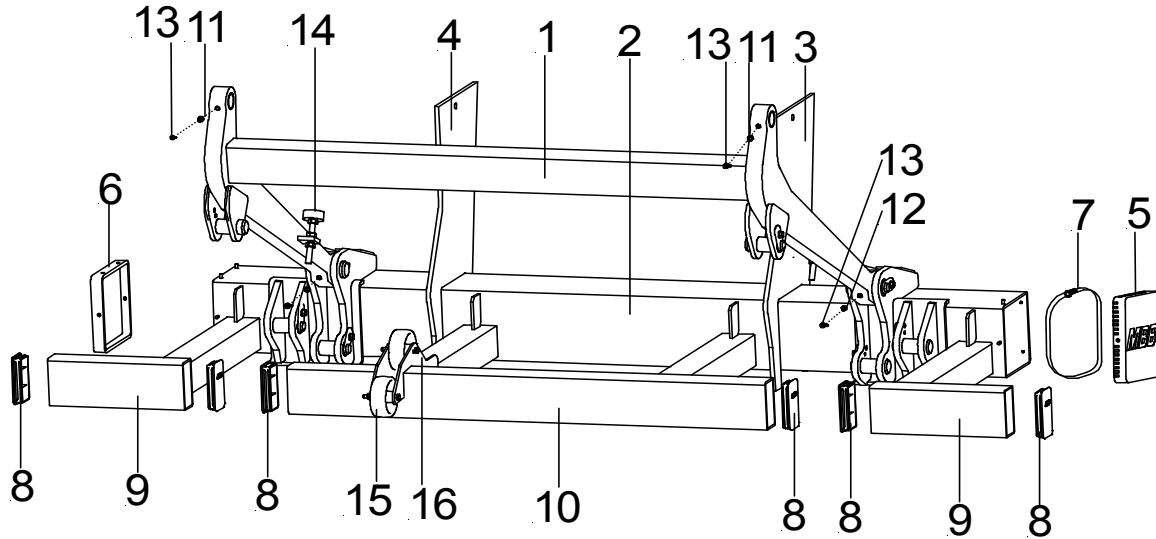
Auto-Fold

Important gate information:
On the top of the tube on
the driver side



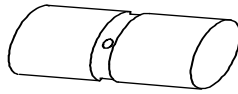
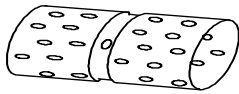
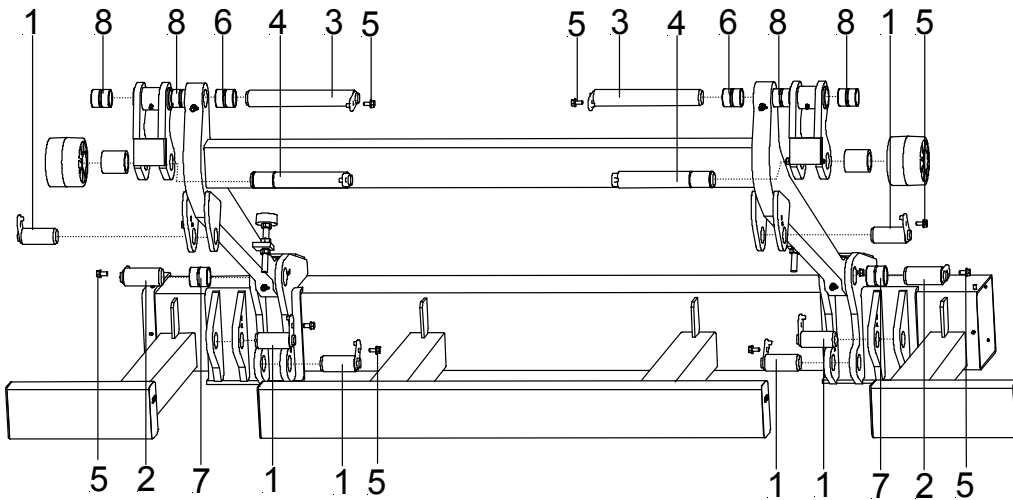
No.	Description	Page
1	LIFTING GEAR	3
2	PINS & BUSHINGS	4
3	BED EXTENSION	5
4	PLATFORM Aluminum	6
5	PLATFORM Steel-Aluminum	7
6	CONTROL SYSTEM	8
7	PC-BOARD AND CABLES	9
8	CYLINDER AND ADJUSTING HEAD	10
9	LIFT-, TILTCYLINDER COMPONENTS	11
10	POWER PACK MBB	12
11	POWER PACK BOSCH	13
12	HYDRAULIC PIPE	14

ILF LIFTING GEAR



No.	Description	ILF 33	ILF 44	ILF 55
1	Lift arm	P-140 8017	P-200 9088	P-200 9088
2	Main frame	P-200 5720	P-141 0267	P-141 0267
3	Mount plate - curb side	on request	on request	on request
4	Mount plate - driver side	on request	on request	on request
5	Cover with hinge - for control system	P-200 7474	P-200 7474	P-200 7474
6	Rubber cover	P-6848 3018	P-6848 3018	P-6848 3018
7	Clamp for cover	P-201 0169	P-201 0169	P-201 0169
8	Mount tube plastic end	P-7101 9233	P-7101 9233	P-7101 9233
9	Bumper - outer	P-9105 0150	P-9105 0150	P-9105 0150
10	Bumper - center	P-9105 0050	P-9105 0050	P-9105 0050
11	Grease zerk	P-6906 4337	P-6906 4337	P-6906 4337
12	Grease zerk 45 degree	P-128 4493	P-128 4493	P-128 4493
13	Red cap	P-119 1680	P-119 1680	P-119 1680
14	Rubber snubber with hardware	P-112 8624	P-112 8624	P-112 8624
15	Wheel with hardware	P-200 3774	P-200 3774	P-200 3774
16	Bracket for wheels (just bracket)	on request	P-201 5074	P-201 5074

ILF PINS & BUSHINGS

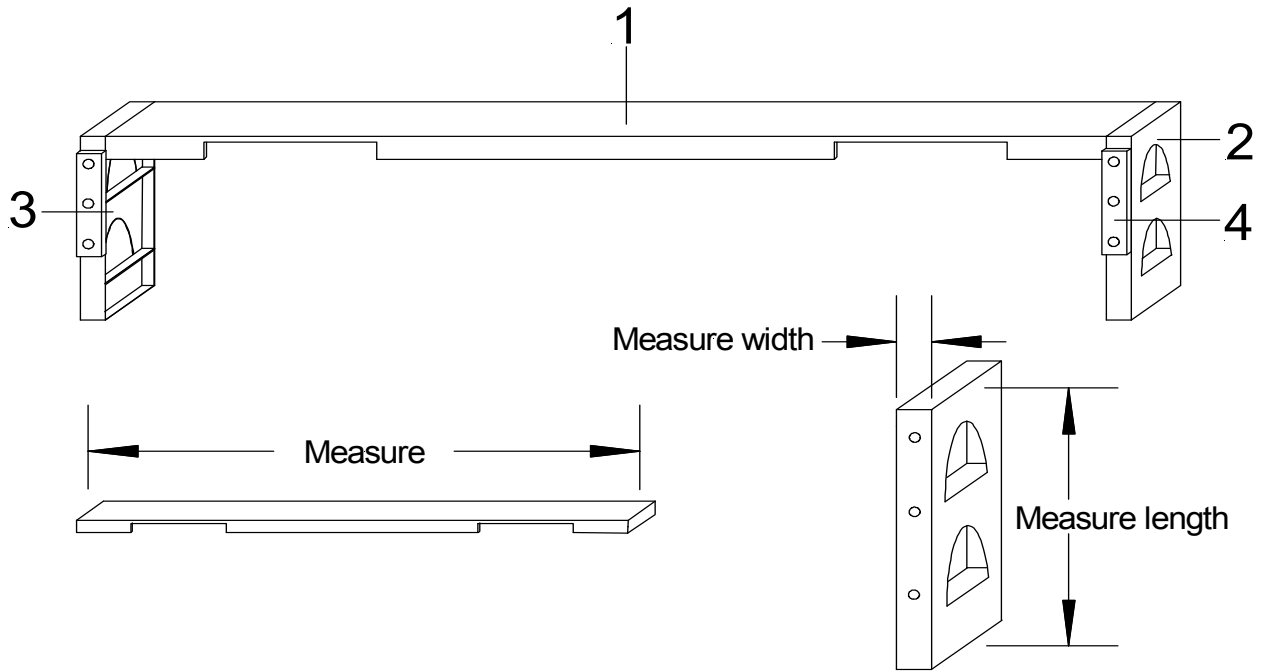


Measure		
mm	Inch	Part No.
28 x 99	1 1/8 x 3 7/8	P-1326307
28 x 180	1 1/8 x 7 1/8	P-1354169
28 x 187	1 1/8 x 7 3/8	P-71942287
36 x 91	1 3/8 x 3 5/8	P-1350394
36 x 228	1 3/8 x 9	P-2007823
36 x 255	1 3/8 x 10	P-1408315
40 x 95	1 5/8 x 3 3/4	P-1331371

mm	Inch	Part No.
32/28 x 31	1 1/4 / 1 1/8 x 1 1/4	P-1403367
32/28 x 36	1 1/4 / 1 1/8 x 1 3/8	P-1403364
32/28 x 48	1 1/4 / 1 1/8 x 1 7/8	P-2004646
40/36 x 36	1 5/8 / 1 3/8 x 1 3/8	P-1403366
40/36 x 41	1 5/8 / 1 3/8 x 1 5/8	P-1403363
44/40 x 41	1 3/4 / 1 5/8 x 1 5/8	P-1403362

No.	Description	ILF 33	ILF 44	ILF 55
PINS				
1	Pin lift arm, lift cylinder ; tube, cylinder	P-132 6307	P-135 0394	P-135 0394
2	Pin tube, lift arm	P-135 0394	P-133 1371	P-133 1371
3	Pin lift arm, shackle, platform	P-7194 2287	P-140 8315	P-140 8315
4	Pin incl. ground roller kit	P-140 5023	GRKILF44	GRKILF44
5	Bolt, pin lock	P-2009212	P-2009212	P-2009212
BUSHINGS				
6	Bushing lift arm	P-140 3364	P-140 3363	P-140 3363
7	Bushing lift arm	P-140 3366	P-140 3362	P-140 3362
8	Bushing - steel/alu platform shackle	N/A	P-140 3363	P-140 3363
	Bushing - alu/alu platform shackle	P-200 4646	N/A	N/A
KITS				
	Pin kit lifting gear, platform, cylinders, incl.2 ground rollers	PKILF33	PKILF44	PKILF44
	Bushing kit, compl. lifting gear, platform, cylinders	BKILF33	BKILF44	BKILF44

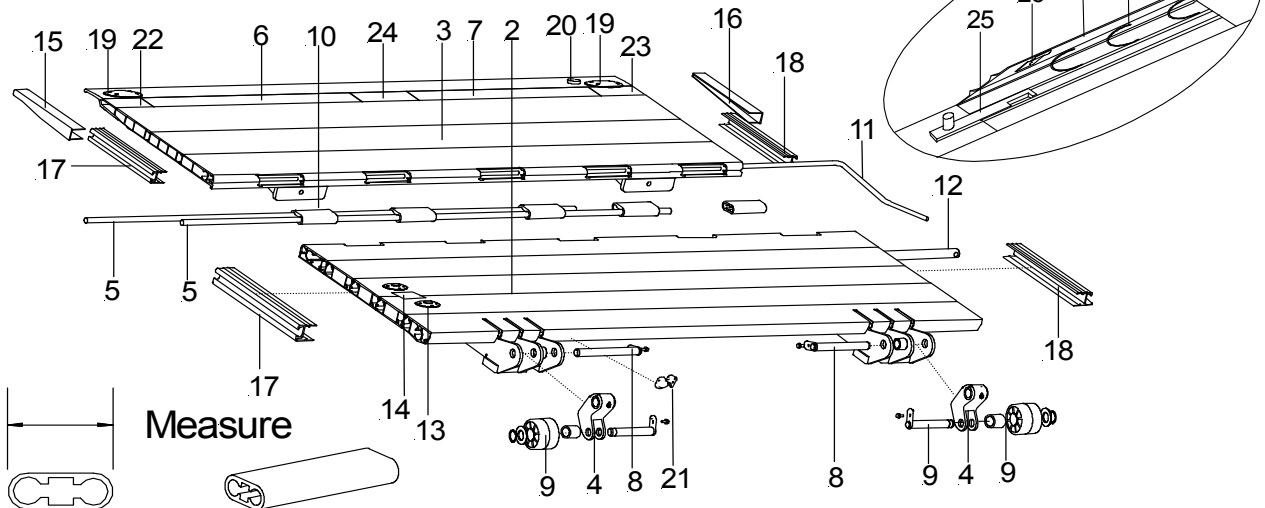
ILF BED EXTENSION AND BUMPERS



No.	Description	Part no.
BED EXTENSION		
1	for ILF 33 - length 102" (2600mm)	P-140 7182
	for ILF 44, 55 - length 101" (2560mm)	BE-ASM-ILF4455
DOCK BUMPER - CURB SIDE		
2	2 Step length 24" (610mm), width 3" (76mm)	1-0001924R
	length 24" (610mm), width 4" (101mm) - HD	1-0001924HDR
	length 24" (610mm), width 4" (101mm) - HD with lights	1-0001924HDR-LC
	1 Step length 20" (533mm), width 3" (76mm)	1-0001920R
DOCK BUMPER - DRIVER SIDE		
3	2 Step length 24" (610mm), width 3" (76mm)	1-0001924L
	length 24" (610mm), width 4" (101mm) - HD	1-0001924HDL
	length 24" (610mm), width 4" (101mm) - HD with lights	1-0001924HDL-LC
	1 Step length 20" (533mm), width 3" (76mm)	1-0001920L
RUBBER BUMPER		
4	Rubber bumper	1-00021
KITS (Curb and driver side)		
2 Step	Dock bumper - length 24" (610mm), width 3" (76mm)	1-0001924S
	Dock bumper HD - length 24" (610mm), width 4" (101mm)	1-0001924HDS
	Dock bumper HD with lights - length 24" (610mm), width 4" (101mm)	1-0001924HDS-OR
1 Step	Dock bumper - length 20" (533mm), width 3" (76mm)	1-0001920S

ILF PLATFORM

Aluminum platform

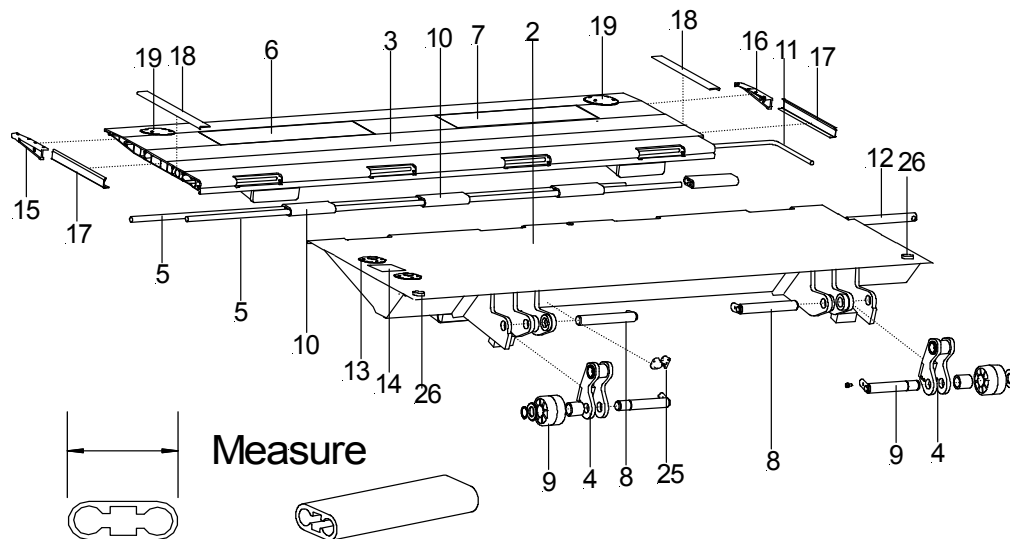


No.	Description	ILF 33
1	Platform - alu / alu	4PFA3362
2	Main section	on request
3	Tip section	on request
4	Shackle	P-118 4926
5	Rod - diameter 20mm (3/4")	P-98317 22365
6	Cart stop lid - curb side	P-200 6698
7	Cart stop lid - driver side	P-200 6697
8	Pin lift arm, shackle, platform	P-140 8315
9	Pin incl. ground roller kit	P-140 5023
10	Hinge - width 3" length 7 7/8" (200mm) - cut to required length	P-140 8513
11	Torsion bar - diameter 3/8" (9mm) - curb side	P-200 6407
	Torsion bar - diameter 3/8" (9mm) - driver side	P-200 6406
	Torsion bar - diameter 1/2" (12mm) - driver side	P-200 0463
12	Torsion bar retainer	P-140 8525
13	Foot control button 2-wire	P-133 0945
14	Plate	P-134 1966
15	Aluminum cap tip - curb side - with cart stops	P-140 8523
	Aluminum cap tip - curb side - without cart stops	on request
16	Aluminum cap tip - driver side - with cart stops	P-140 8524
	Aluminum cap tip - driver side - without cart stops	on request
17	Side profile - curb side - cut to required length	P-140 8521
18	Side profile - driver side - cut to required length	P-140 8522
19	Warning light - LED	P-140 6365
20	Rubber snub with hex head bolt	P-7104 2936
21	Plastic bracket	P-201 9337
22	Side fill in - curb side - cut to required length	P-200 6651
23	Side fill in - driver side - cut to required length	P-200 6651
24	Center fill in	P-200 0267
25	Interlock latch - curb side	P-200 0888A
	Interlock latch - driver side	P-140 9347A
26	Spring clip	P-140 9349
27	Spring	P-140 8661

ILF PLATFORM

Steel-Aluminum platform

Cartstop - spring loaded

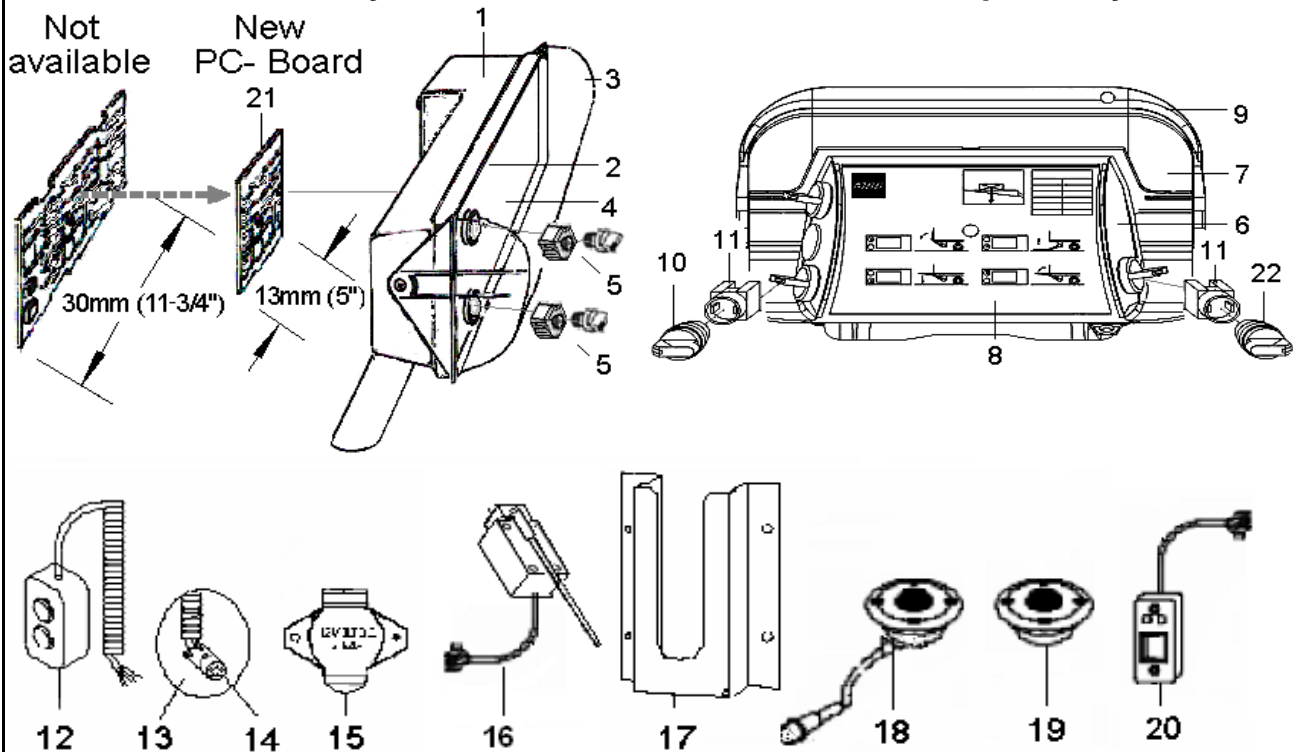


No.	Description	ILF 44	ILF 55
1	Platform with cartstops - <i>steel-alu</i>	4PFA424F-W/CS	4PFA424F-W/CS
	Platform without cartstops - <i>steel-alu</i>	4PFA424F	4PFA424F
2	Main section	on request	on request
3	Tip section	on request	on request
4	Shackle	P-200 7769	P-200 7769
5	Rod - diameter 20mm ($\frac{3}{4}$ ")	P-98317 22365	P-98317 22365
6	Cart stop lid - <i>curb side</i>	P-2006698	P-2006698
7	Cart stop lid - <i>driver side</i>	P-2006697	P-2006697
8	Pin lift arm, shackle, platform	P-140 8315	P-140 8315
9	Pin incl. ground roller kit	GRKILF44	GRKILF44
10	Hinge - width 3" length 7 $\frac{7}{8}$ "(200mm) - cut to required length	P-140 8513	P-140 8513
11	Torsion bar	P-200 0463	P-200 0463
12	Torsion bar retainer	P-140 8525	P-140 8525
13	Foot control button 2-wire	P-133 0945	P-133 0945
14	Plate	P-134 1966	P-134 1966
15	Plastic cap tip - <i>curb side</i> - with cart stops	P-90832 39000	P-90832 39000
	Plastic cap tip - <i>curb side</i> - without cart stops	P-90813 36000	P-90813 36000
16	Plastic cap tip - <i>driver side</i> - with cart stops	P-90832 38000	P-90832 38000
	Plastic cap tip - <i>driver side</i> - without cart stops	P-90813 36010	P-90813 36010
17	Side profile bottom	P-98325 21700	P-98325 21701
18	Side profile top	P-124 4631	P-124 4632
19	Warning light - LED	P-140 6365	P-140 6365
20	Sliding rod	P-140 6248	P-140 6248
21	Spring	P-140 8661	P-140 8661
22	Plastic hold down clip	P-200 4637	P-200 4637
23	Plastic rod support	P-140 6245	P-140 6245
24	Spring clip	P-140 9349	P-140 9349
25	Plastic bracket	P-201 9337	P-201 9337
26	Rubber snub with hex head bolt	P-7104 2936	P-7104 2936

ILF CONTROL SYSTEM

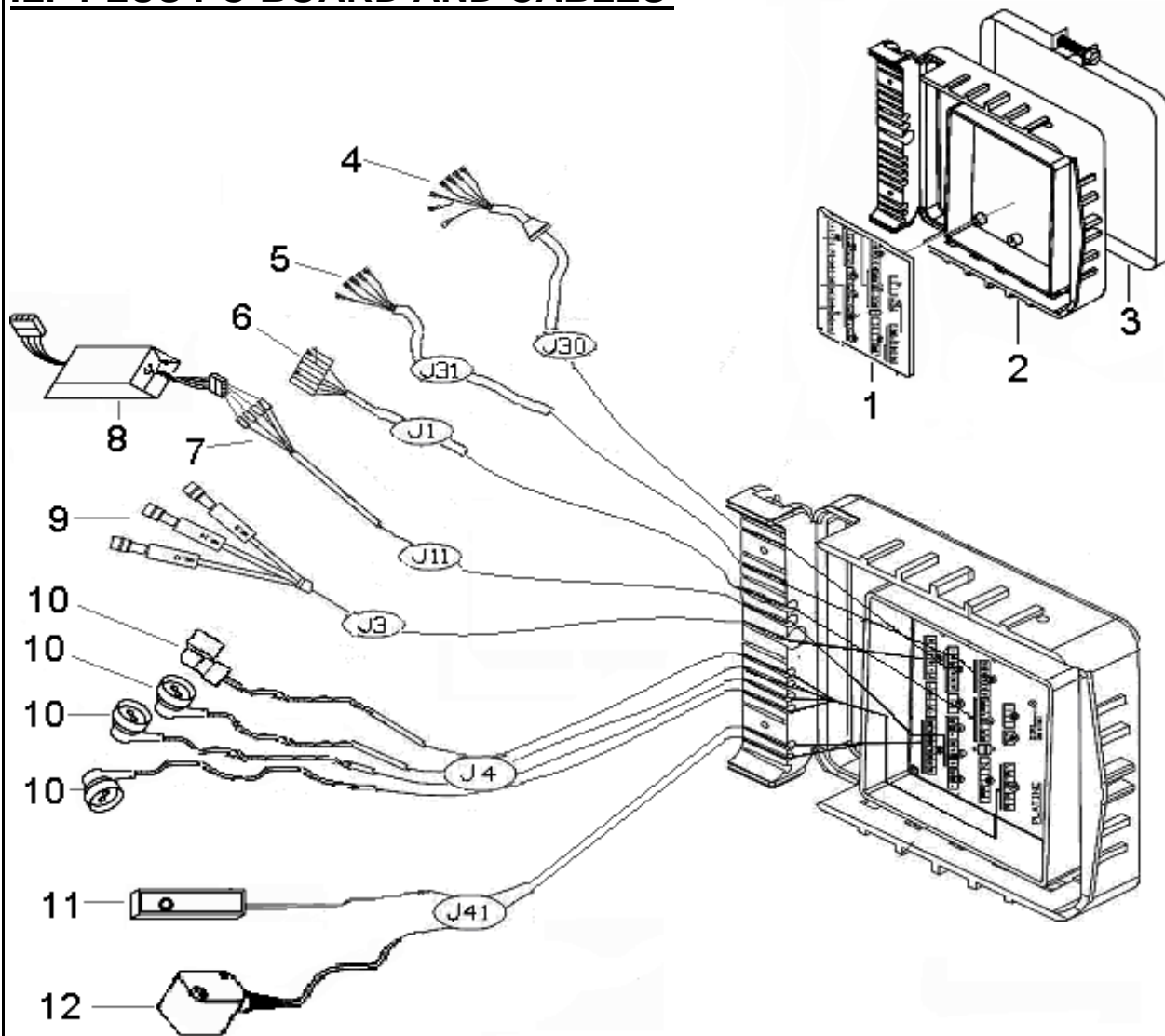
Until 2004: K- style

Since 2004: K plus- style



No.	Description	Part No.
1	Complete outer plastic box	P-133 8263
2	Control panel with PC-board - conversion kit	P-201 2524F
3	Flip down lid	P-131 9393
4	Plastic cover control box	P-122 8744
5	Momentary turn knob and contact block	P-201 1543
6	Control box with PC-board and harness	P-200 9407
	Control box with cable (without PC-board)	P-200 9870
7	Complete outer plastic box	P-200 9205
8	Operation lable	ATG-ILF
9	Flip down lid	P-200 7476
10	Momentary turn knob	P-200 7456
11	Contact block	P-200 7457
12	2 Button hand control with coil	P-7291 6816
13	2 Button hand control with coil and plug	P-7291 6816P
14	Plug, 4 way	3-00010
15	Socket, 4 way	3-00011
16	Limit switch	P-118 8914
17	Holster for hand control	1-00050
18	Foot control button 2 wire	P-133 0945
19	Foot control button	P-140 5256
20	Cab on-off switch	P-133 2494
21	PC- Board - K plus style	P-201 2184F
22	On- off switch	P-200 9186

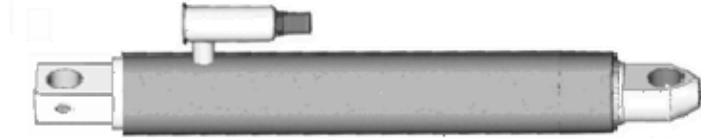
ILF PLUS PC-BOARD AND CABLES



No.	Description	Part No.
1	PC- board	P-200 7193F
2	Cover for control system	P-200 7474
3	Clamp for cover	P-201 0169
4	Wire harness for control box (J30)	P-200 7295
5	Wire harness for hand control (J31)	P-200 8921
6	Wire harness for power pack (J1)	P-2007406
7	Wire harness for cab on-off switch (J11)	P-200 7049
8	Power relay for J11	P-200 7044
9	Wire harness for warning lights and foot control (J3)	P-134 2776
10	Cable for solenoid valve (J4)	P-6725 4198
11	Sensor B13 for lift arm (J41)	P-133 2476
12	Sensor B15 for platform (J41)	P-133 2485

ILF CYLINDER

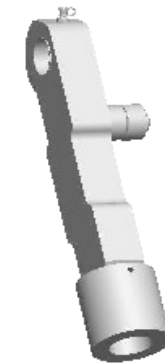
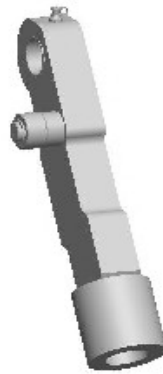
No.1 Lift cylinder



No.2 Tilt cylinder



No.3 Adjusting head



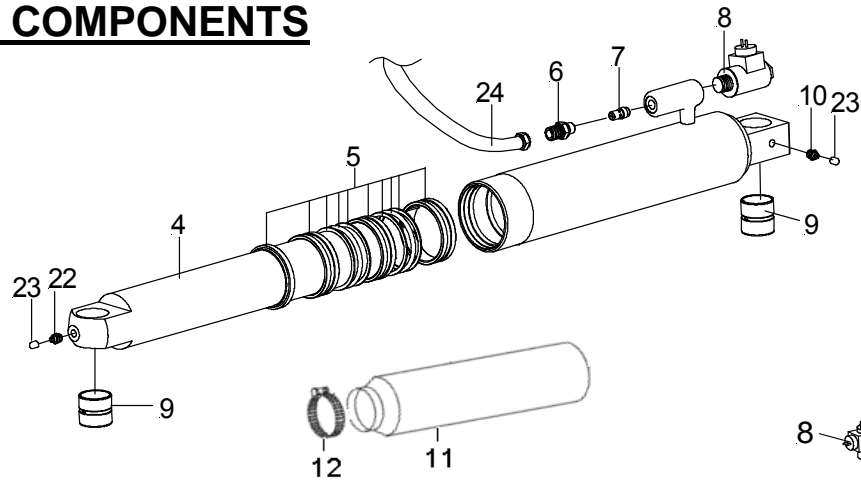
curb side

driver side

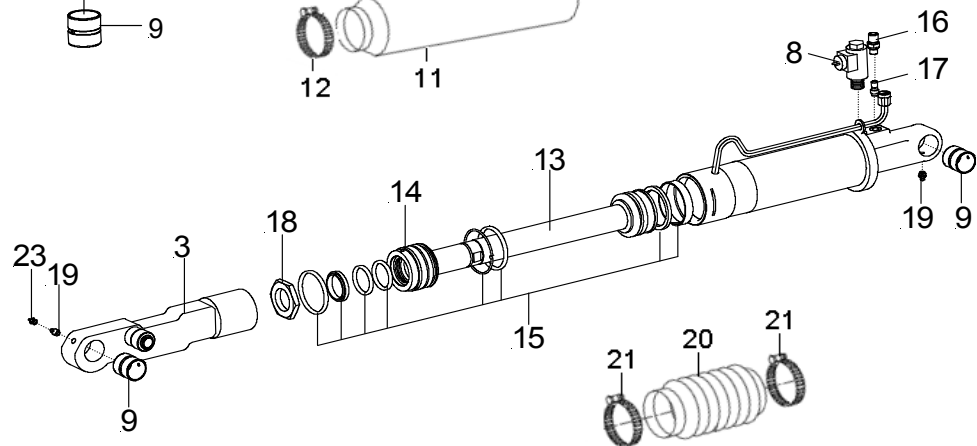
No.	Description	ILF 33	ILF 44	ILF 55
1	Lift cylinder <i>without release valve</i>	P-134 3854	P-135 0167	P-135 0167
2	Tilt cylinder <i>without release valve - curb side</i>	P-140 8236	P-201 5025	P-201 5025
	Tilt cylinder <i>without release valve - driver side</i>	P-140 8235	P-201 5024	P-201 5024
3	Adjusting head - <i>curb side</i>	P-2012123	P-201 2118	P-201 2118
	Adjusting head - <i>driver side</i>	P-2012122	P-201 2119	P-201 2119

ILF CYLINDER COMPONENTS

Lift cylinder



Tilt cylinder

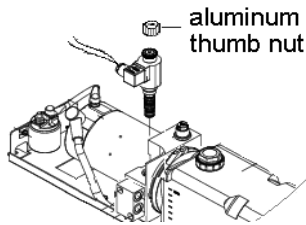


No.	Description	ILF 33	ILF 44	ILF 55
<i>Piston rod diameter- lift cylinder</i>		55mm (2 1/4")	70mm (2 3/4")	70mm (2 3/4")
<i>Piston rod diameter- tilt cylinder</i>		40mm (1 1/2")	45mm (1 3/4")	45mm (1 3/4")
3	Adjusting head	see no.3 on page 10 'ILF CYLINDER'		
4	Piston rod	P-140 1503	P-140 3799	P-140 3799
5	Rebuild kit	P-200 5323	P-202 1847	P-202 1847
6	Adaptor / hose fitting	P-118 8263	P-118 8263	P-118 8263
7	Restrictor control valve	P-135 5942	P-136 3828	P-136 3828
8	Release valve 12V	P-6728 2345	P-6728 2345	P-6728 2345
9	Bushing	P-140 3367	P-140 3363	P-140 3363
10	Grease zerk	P-6906 4337	P-6906 4337	P-6906 4337
11	Sleeve - lift cylinder	P-109 9010	P-109 8362	P-109 8362
12	Clamp	P-6843 0828	P-6873 4258	P-6873 4258
13	Piston rod for tilt cylinder	P-200 0878	P-141 0866	P-141 0866
14	End plug	P-6827 4001	P-6881 3557	P-6881 3557
15	Rebuild kit - tilt cylinder	P-133 0674	P-133 0683	P-133 0683
16	Adaptor / hose fitting	P-118 8263	P-118 8263	P-118 8263
17	Restrictor control valve	P-135 5942	P-132 5551	P-132 5551
18	Lock nut for tilt cylinder	P-6726 5408	P-7159 7563	P-7159 7563
19	Grease zerk	P-6906 4337	P-6906 4337	P-6906 4337
20	Rubber bellows	P-6725 9238	P-6872 4546	P-6872 4546
21	Clamp	P-6843 0828	P-6843 0828	P-6843 0828
22	Grease zerk	P-6906 4337	P-128 4493	P-128 4493
23	Red cap	P-119 1680	P-119 1680	P-119 1680
23	Hydraulic hose - each	P-7060 5848	P-7060 5848	P-7060 5848

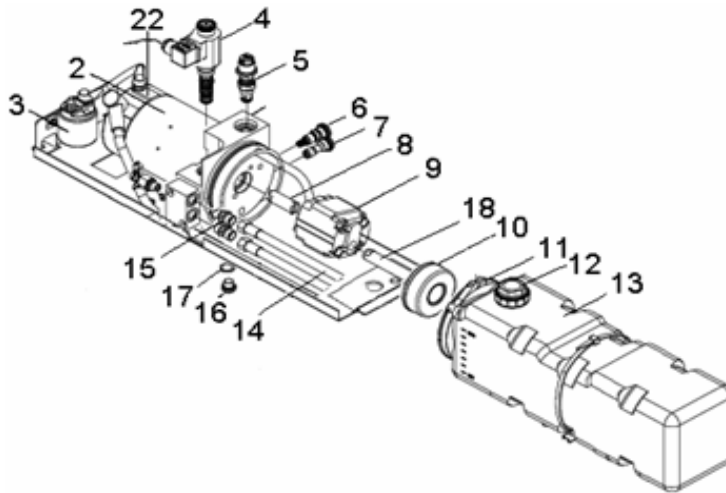
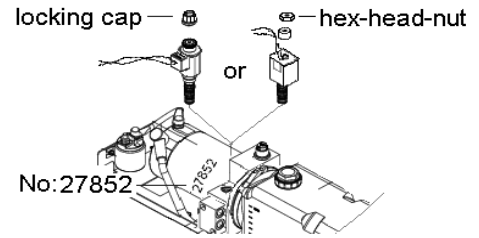
ILF MBB POWER PACK

How to identify:

MBB



Bosch

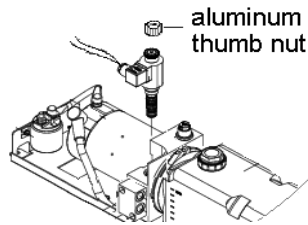


No.	Description	ILF 33	ILF 44	ILF 55
1	Power pack	P-140 6000	P-140 6000	P-140 6000
2	Motor 12 Volt	P-135 3555	P-135 3555	P-135 3555
3	Motor solenoid	P-132 0127	P-132 0127	P-132 0127
4	Shift valve (S-5)	P-129 9412	P-129 9412	P-129 9412
5	Pressure control valve	P-129 8111	P-129 8111	P-129 8111
6	Shuttle valve <i>since 1998</i>	P-140 5972	P-140 5972	P-140 5972
	Flow divider <i>till 1998</i>	P-129 8102	P-129 8102	P-129 8102
7	Flow control valve (R5)	P-129 8086	P-129 8086	P-129 8086
8	Coupler	P-140 6264	P-140 6264	P-140 6264
9	Pump	P-129 8068	P-129 8068	P-129 8068
10	Pump filter	P-129 8022	P-129 8022	P-129 8022
11	Clamp for oil reservoir	P-136 2509	P-136 2509	P-136 2509
12	Breather cap	P-136 2518	P-136 2518	P-136 2518
13	Oil reservoir	P-136 2483	P-136 2483	P-136 2483
14	Hydraulic hose	P-111 2885	P-111 2885	P-111 2885
15	Adaptor	P-118 8263	P-118 8263	P-118 8263
16	Drain plug	P-6637 3088	P-6637 3088	P-6637 3088
17	Sealing washer	P-129 8013	P-129 8013	P-129 8013
18	Pipe	on request	on request	on request
22	Carbon brushes kit (4 pieces)	P-141 0330	P-141 0330	P-141 0330

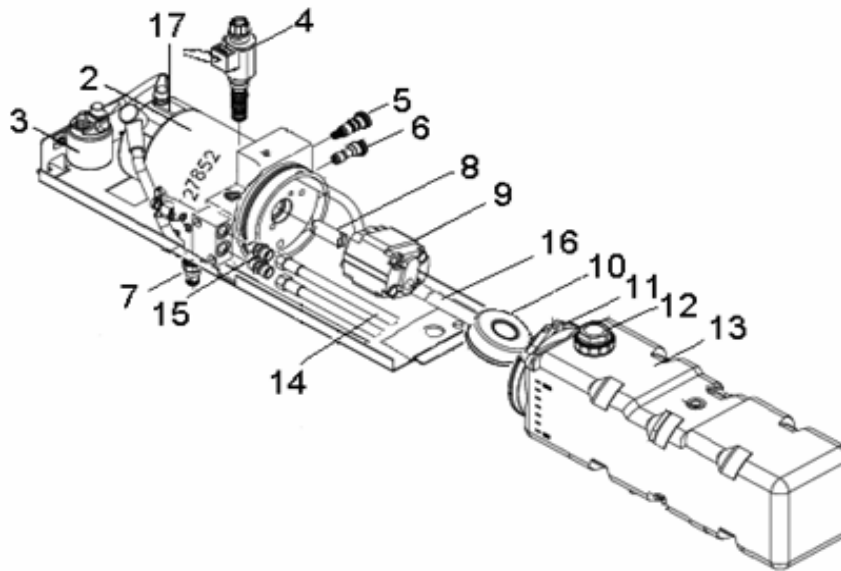
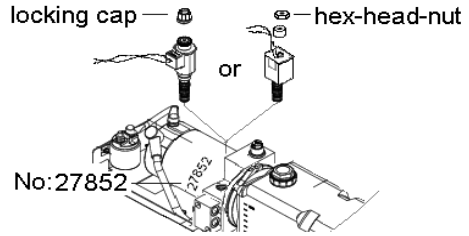
ILF BOSCH POWER PACK

How to identify:

MBB

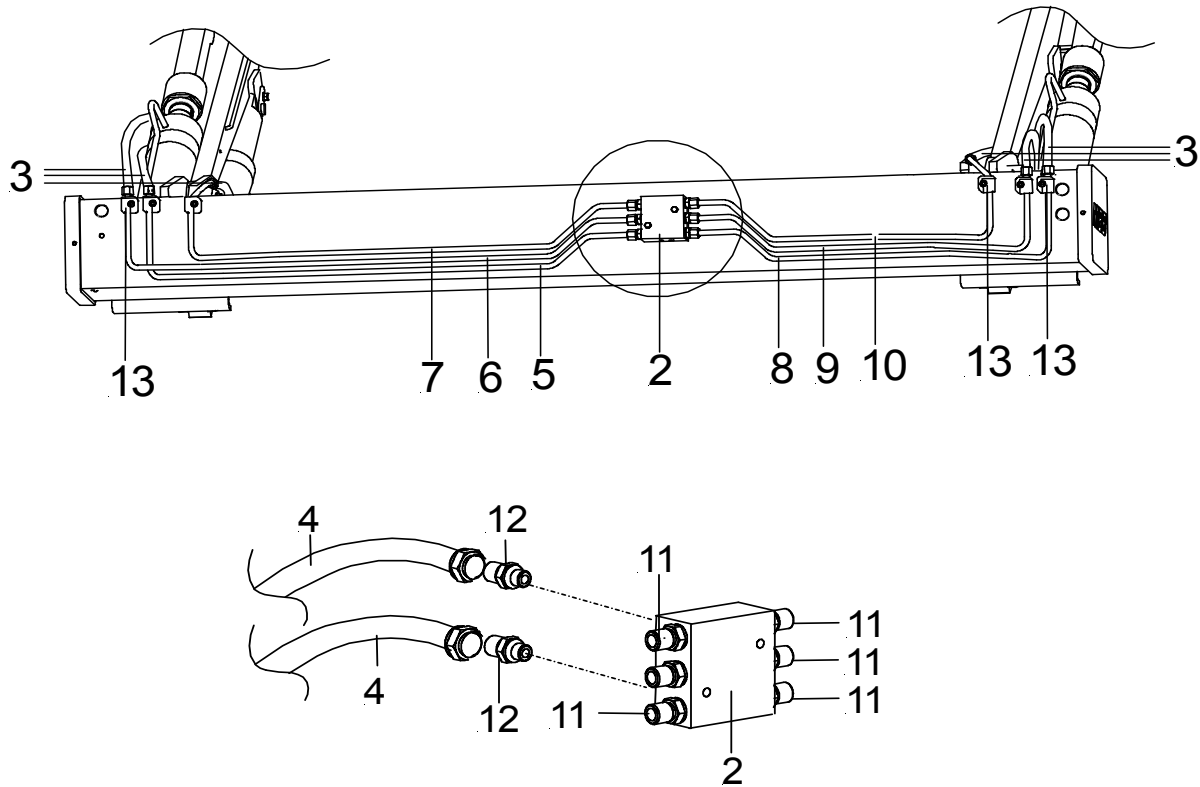


Bosch



No.	Description	ILF 33	ILF 44	ILF 55
1	Power pack	N/A	N/A	N/A
2	Motor 12 Volt	P-129 8264	P-129 8264	P-129 8264
3	Motor solenoid	P-132 0127	P-132 0127	P-132 0127
4	Shift valve (S5)	P-105 8804	P-105 8804	P-105 8804
5	Pressure release valve	P-105 8760	P-105 8760	P-105 8760
6	Shuttle valve	P-7233 5694	P-7233 5694	P-7233 5694
7	Flow control valve (R5)	P-105 8653	P-105 8653	P-105 8653
8	Coupler	P-6880 7808	P-6880 7808	P-6880 7808
9	Pump	P-105 8831	P-105 8831	P-105 8831
10	Screen	P-7041 1385	P-7041 1385	P-7041 1385
11	Reservoir clamp set	P-140 4308	P-140 4308	P-140 4308
12	Cap with filter	P-140 1680	P-140 1680	P-140 1680
13	Oil reservoir	P-7041 1296	P-7041 1296	P-7041 1296
14	Hydraulic Hose	P-111 2885	P-111 2885	P-111 2885
15	Adaptor	P-118 8263	P-1188 263	P-1188 263
16	Pipe	on request	on request	on request
17	Carbon brushes kit (4 pieces)	P-111 6767	P-111 6767	P-111 6767

ILF HYDRAULIC PIPE



No.	Description	ILF 33	ILF 44	ILF 55
1	Hydraulic pipe kit (without hoses)	P-140 1079	P-140 1079	P-140 1079
2	Alu valve block with adaptor	P-133 0067	P-133 0067	P-133 0067
3	Hydraulic hose kit - 6 pieces	P-130 3233	P-130 3233	P-130 3233
	Hydraulic hose - each	P-7060 5848	P-7060 5848	P-7060 5848
4	Hydraulic hose to power pack - each	P-111 2885	P-111 2885	P-111 2885
5	Pipe - lower curb side	P-112 9989	P-112 9989	P-112 9989
6	Pipe - med. curb side	P-112 9998	P-112 9998	P-112 9998
7	Pipe - top curb side	P-112 9970	P-112 9970	P-112 9970
8	Pipe - lower driver side	P-112 9943	P-112 9943	P-112 9943
9	Pipe - med. driver side	P-112 9952	P-112 9952	P-112 9952
10	Pipe - top driver side	P-112 9961	P-112 9961	P-112 9961
11	Hose fitting	P-118 8263	P-118 8263	P-118 8263
12	Hose fitting	P-114 9677	P-114 9677	P-114 9677
13	Plastic holder	P-110 8532	P-110 8532	P-110 8532