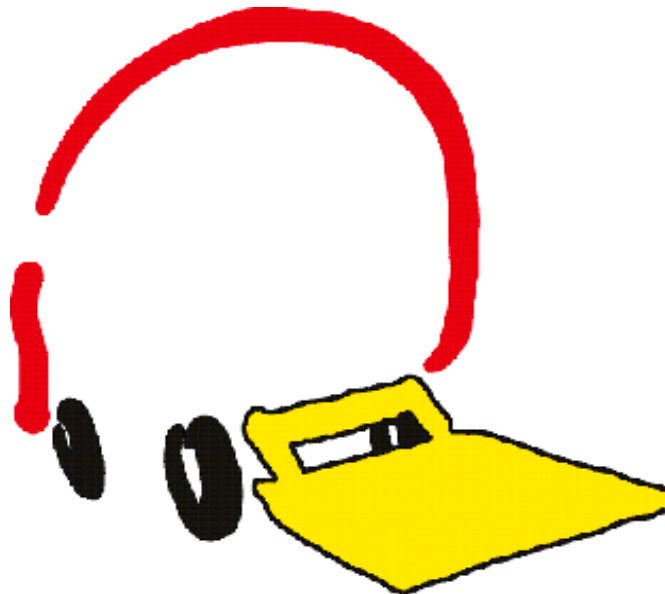




*ILFS 33, 38*

**Distribution Pro**

**PARTS BREAK DOWN**



**[Interlift Inc. dba MBB Palfinger](#)**

15939 Piuma Ave, Cerritos, CA 90703 TEL. (888)-774-5844 FAX. (562)-924-8318  
572 Whitehead Road, Trenton, NJ 08619 TEL.(609)-587-4200 FAX.(609)-587-4201

DATE: 10/15/2010  
REVISION: 1

**ILFS INDEX**

**ILFS - liftgate**  
**Distribution Pro**

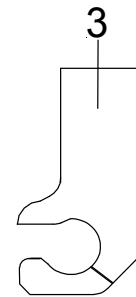
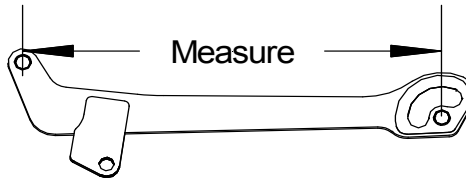
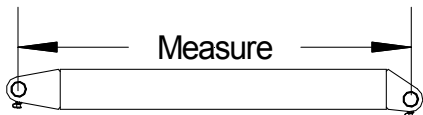
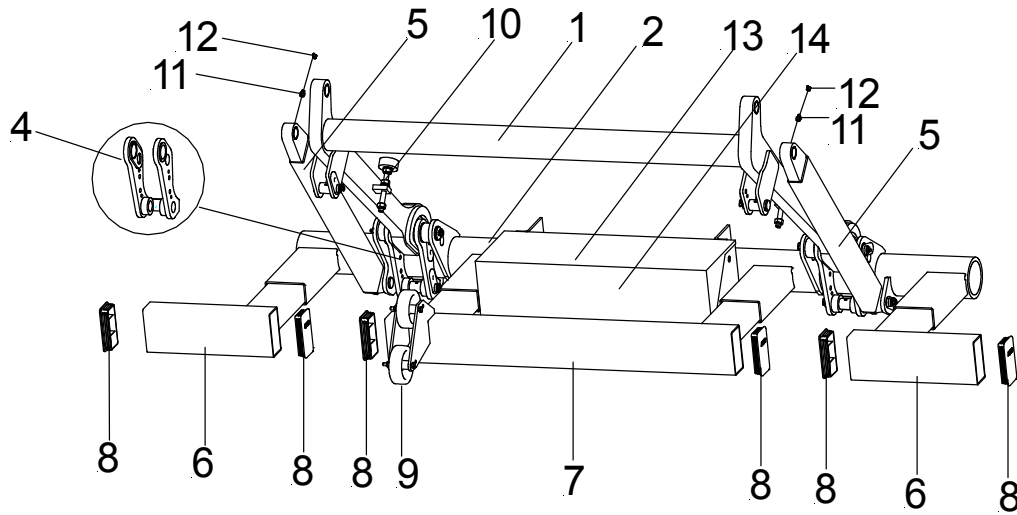
Important gate information:  
 On the top of the tube on  
 the driver side

<b>INTERLIFT</b>		<b>PALFINGER</b>
Cerritos, CA (888) 774 - 5844		Surf W. American Service
Hainesport, NJ (609) 295 - 7997		
Model	Serial No.	Date
<input type="text"/>	<input type="text"/>	<input type="text"/>



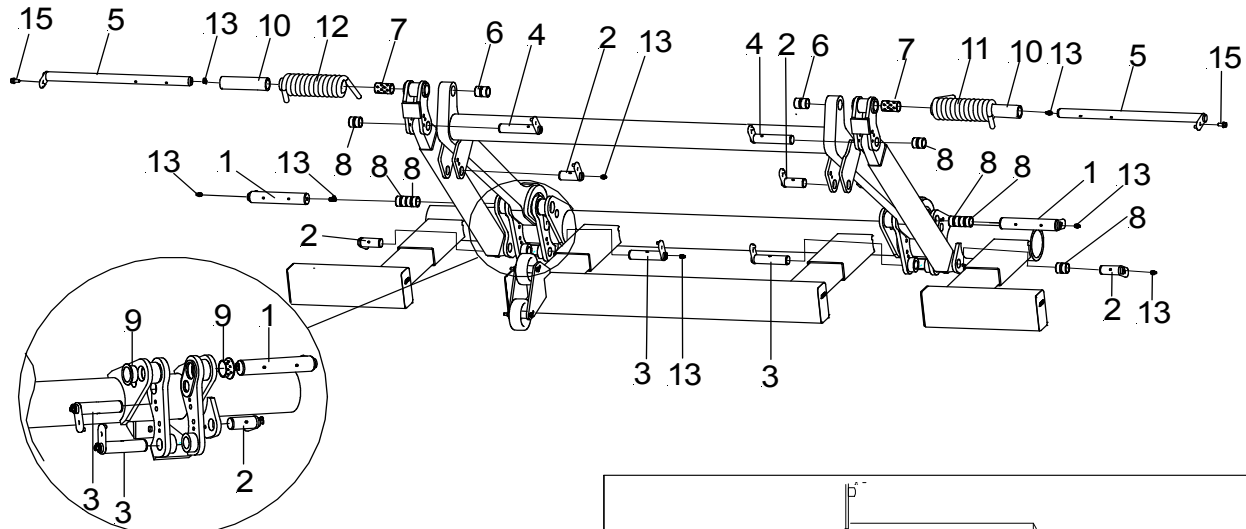
No.	Description	Page
1	LIFTING GEAR	3
2	PINS & BUSHINGS	4
3	BED EXTENSION	5
4	PLATFORM steel / steel	6
5	PLATFORM aluminum / aluminum	7
6	PLATFORM steel / aluminum	8
7	CONTROL SYSTEM	9
8	CYLINDER AND COMPONENTS	10
9	POWER PACK	11
10	HYDRAULIC PIPE	12

**ILFS LIFTING GEAR**



No.	Description	Part no.
1	Lift arm - 800mm (31 1/2")	P-1406667
	Lift arm - 900mm (35 1/2")	P-1406668
2	Main frame	P-2005483
3	Mount plate	on request
4	Swinging fixture	P-2006380
5	Parallel arm - 800mm (31 1/2")	P-2005868
	Parallel arm - 900mm (35 1/2")	P-2004720
6	Bumper - <i>outer</i>	P-91050150
7	Bumper - <i>center</i>	P-91050050
8	Mount tube plastic end	P-71019233
9	One wheel with hardware	P-2003774
10	Rubber snubber with hardware	P-1128624
11	Grease zerk	P-69064337
12	Red cap	P-1191680
13	Power pack lid	2-00085
14	Power pack box - enclosure	P-1407778

**ILFS PINS & BUSHINGS**

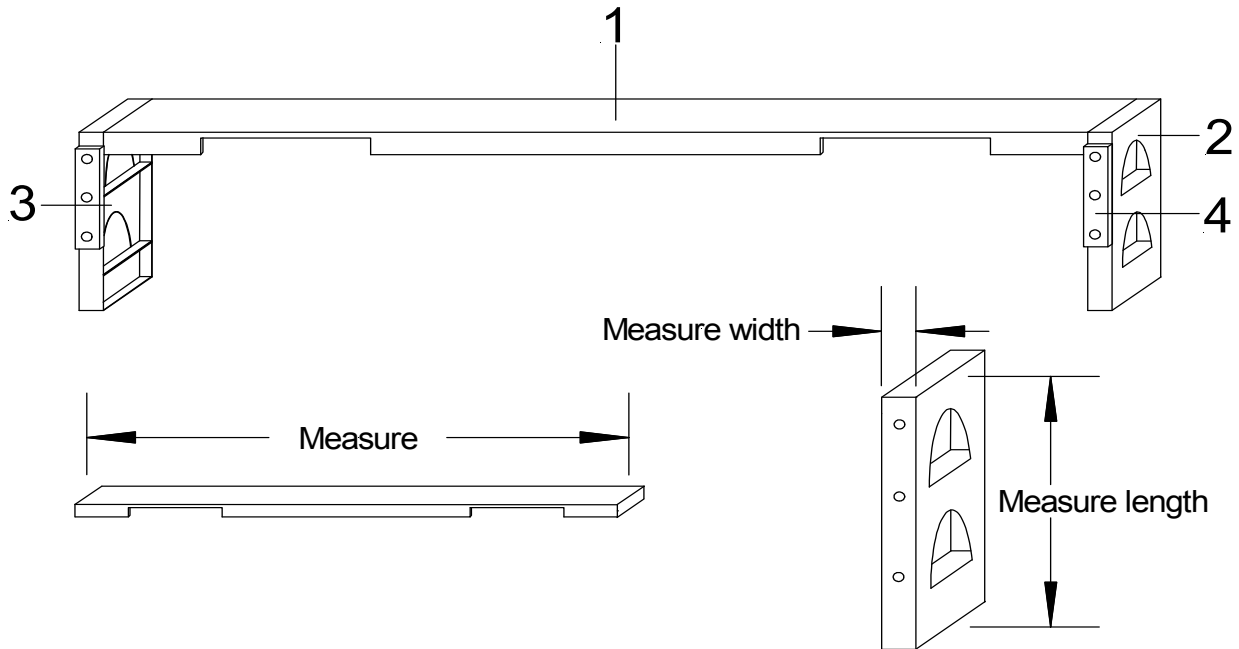


mm	Inch	Part no.
32/28 x 31	1 1/4 / 1 1/8 x 1 1/4	P-1403367
32/28 x 36	1 1/4 / 1 1/8 x 1 3/8	P-1403364
32/28 x 48	1 1/4 / 1 1/8 x 1 7/8	P-2004646
36/40/50 x 17	1 3/8 / 1 1/2 / 2 x 5/8	P-1278682

mm	Inch	Part No.
28 x 68	1 1/8 x 2 5/8	P-1129102
28 x 110	1 1/8 x 4 1/4	P-1238277
28 x 125	1 1/8 x 4 7/8	P-1227943
28 x 453	1 1/8 x 17 3/4	P-1407655
36 x 180	1 3/8 x 7	P-1238286

No.	Description	Part no.
<b>PINS</b>		
1	Pin lift arm, swinging fixture, tube	P-1238286
2	Pin parallel arm, tube ; lift cylinder, lift arm	P-1129102
3	Pin lift cylinder, tube ; tube, swinging fixture, lift arm	P-1238277
4	Pin shackle, parallel arm	P-1227943
5	Pin platform, shackle, lift arm	P-1407655
<b>BUSHINGS</b>		
6	Bushing lift arm, platform	P-1403364
7	Bushing - steel platform shackle	P-2004646
	Bushing - alu plan platform shackle	P-1403367
8	Bushing parallel arm, lift arm	P-1403367
9	Bushing swinging fixture	P-1278682
10	Torsion spring plastic tube	P-1228526
<b>HARDWARE</b>		
11	Coil spring - curb side	P-1264848
12	Coil spring - driver side	P-1264857
13	Grease zerk	P-69064337
14	Red cap	P-1191680
15	Bolt, pin lock	P-2009212
<b>KITS</b>		
	Pin kit incl. hardware	P-1407782
	Bushing kit without no.10 (Torsion spring plastic tube)	P-1407783

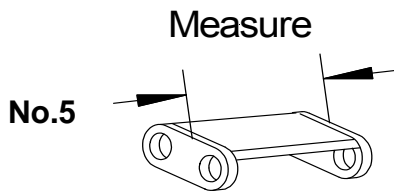
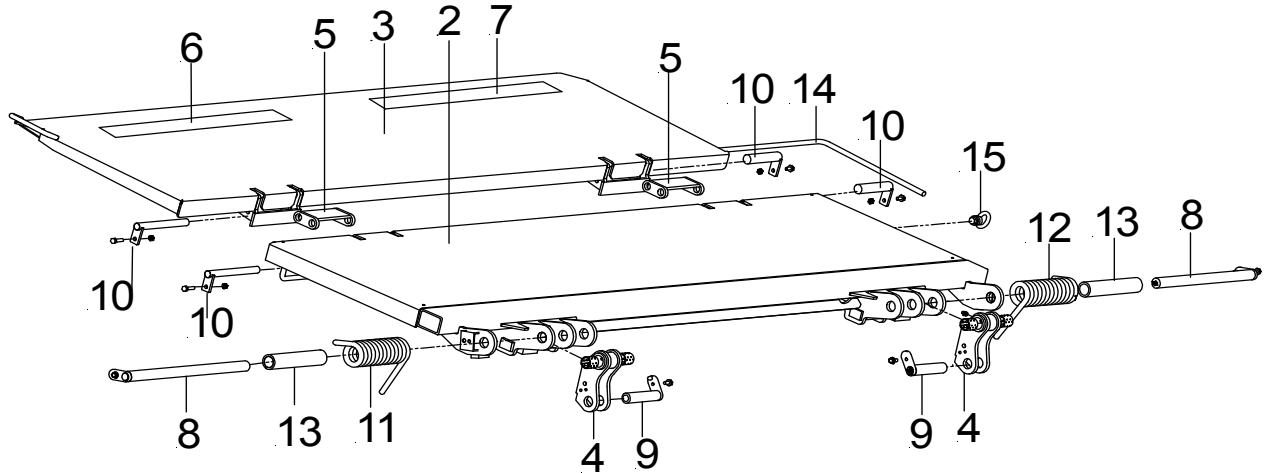
**ILFS BED EXTENSION AND BUMPERS**



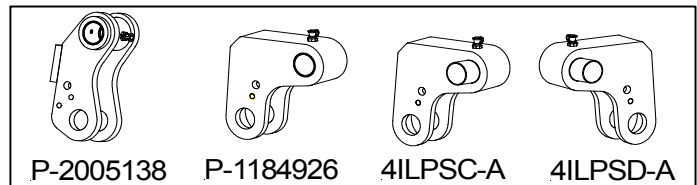
No.	Description	Part no.	
1	<b>BED EXTENSION</b>		
	length 96" (2440mm)	426BEB-A	
	length 102" (2590mm)	426BEB-A-102	
2	<b>DOCK BUMPER - CURB SIDE</b>		
	2 Step	length 24" (610mm), width 3" (76mm)	1-0001924R
		length 24" (610mm), width 4" (101mm) - HD	1-0001924HDR
		length 24" (610mm), width 4" (101mm) - HD with lights	1-0001924HDR-LC
1 Step	length 20" (533mm), width 3" (76mm)	1-0001920R	
3	<b>DOCK BUMPER - DRIVER SIDE</b>		
	2 Step	length 24" (610mm), width 3" (76mm)	1-0001924L
		length 24" (610mm), width 4" (101mm) - HD	1-0001924HDL
		length 24" (610mm), width 4" (101mm) - HD with lights	1-0001924HDL-LC
1 Step	length 20" (533mm), width 3" (76mm)	1-0001920L	
4	<b>RUBBER BUMPER</b>		
		Rubber bumper	1-00021
	<b>KITS (Curb and driver side)</b>		
	2 Step	Dock bumper - length 24" (610mm), width 3" (76mm)	1-0001924S
		Dock bumper HD - length 24" (610mm), width 4" (101mm)	1-0001924HDS
		Dock bumper HD with lights- length 24" (610mm), width 4" (101mm)	1-0001924HDS-OR
	1 Step	Dock bumper - length 20" (533mm), width 3" (76mm)	1-0001920S

**ILFS PLATFORM**

**Steel platform**



**Shackles**

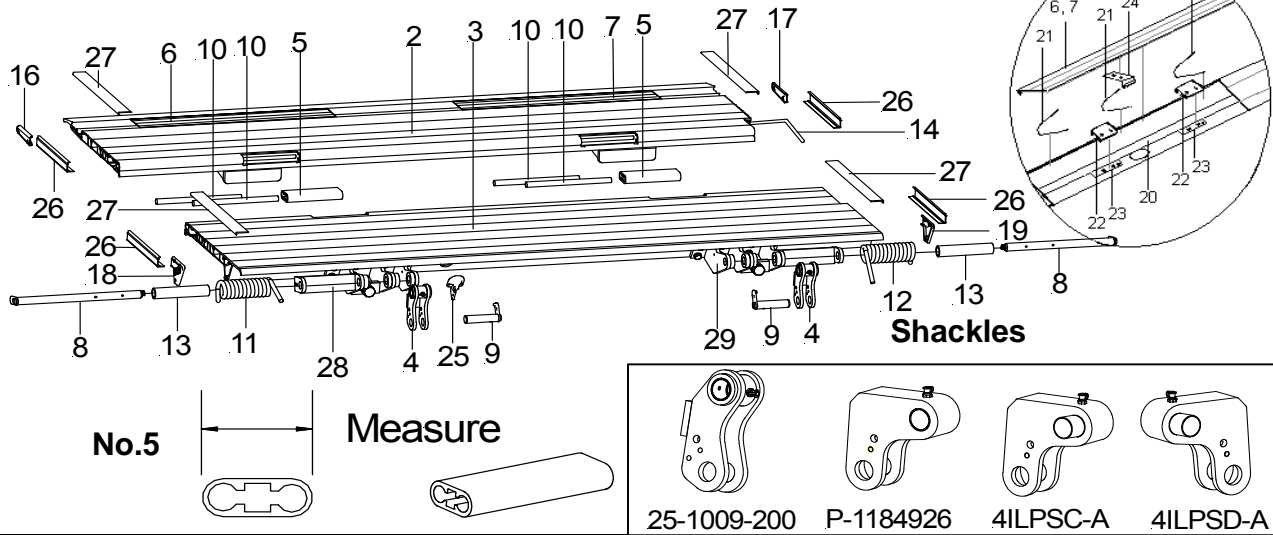


No.	Description	Part no.
1	Platform - steel/steel specific length and width size	on request
2	Main section specific length and width size	on request
3	Tip section specific length and width size	on request
4	Shackle	see above
5	Hinge - width 5 3/8" (137mm)	4ILPH-A
6	Cart stop - curb side	1-00005L
7	Cart stop - driver side	1-00005R
8	Pin platform, shackle, lift arm	P-1407655
9	Pin shackle, parallel arm	P-1227943
10	Pin main section, tip section	4ILPP-A
11	Coil spring - curb side	P-1264848
12	Coil spring - driver side	P-1264857
13	Torsion spring plastic tube	P-1228526
14	Torsion bar - for 48" platform (63" length)	P-1409441
	Torsion bar - for 54" platform (63" length)	P-1409441
	Torsion bar - for 60" platform (48" length)	2-76001
15	Torsion bar retainer	P-2004522

**ILFS PLATFORM**

**Aluminum platform**

Cartstop - spring loaded



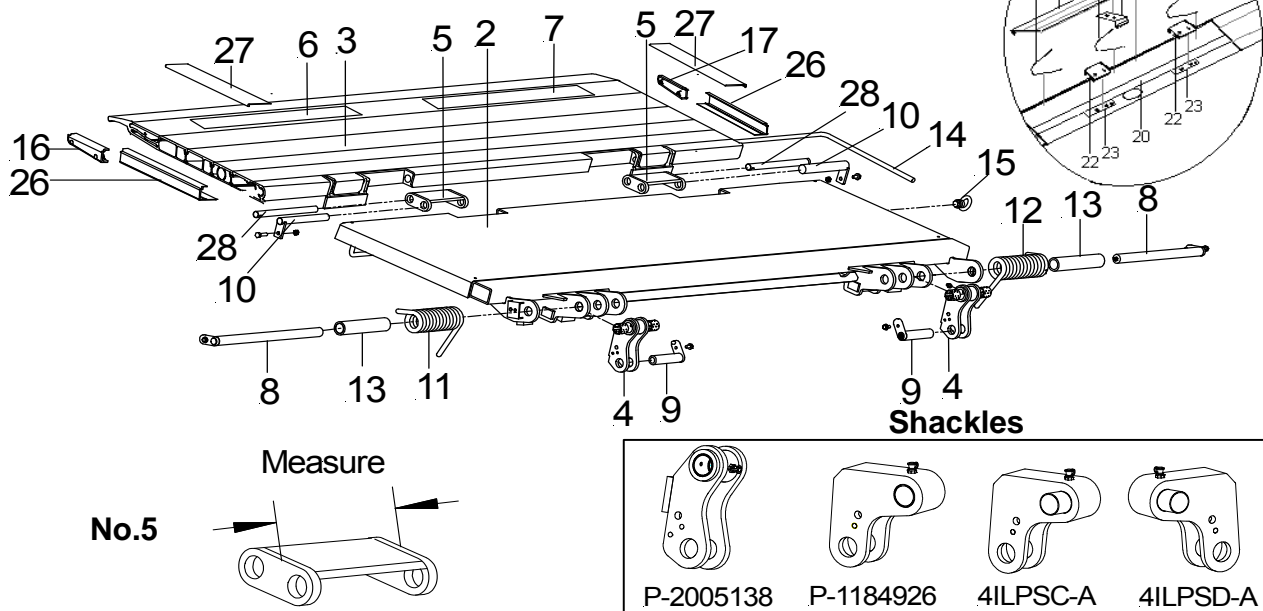
No.	Description	Part no.
1	Platform - <i>alu/alu</i> specific length and width size	on request
2	Main section specific length and width size	on request
3	Tip section specific length and width size	on request
4	Shackle	see above
5	Hinge - width 2 3/4" (67mm) - 20mm hole	P-1408512
	Hinge - width 3" (77mm) - 20mm hole	P-1408513
6	Cart stop lid - <i>curb side</i>	P-2006698
7	Cart stop lid - <i>driver side</i>	P-2006697
8	Pin <i>platform, shackle, lift arm</i>	P-1407655
9	Pin <i>shackle, parallel arm</i>	P-1227943
10	Pin <i>main section, tip section</i>	P-67264894
11	Coil spring - <i>curb side</i>	P-1264848
12	Coil spring - <i>driver side</i>	P-1264857
13	Torsion spring plastic tube	P-1228526
14	Torsion bar	P-9083175070
15	Torsion bar retainer	P-9000000064
16	Plastic cap tip - <i>curb side - with cart stops</i>	P-9083239000
	Plastic cap tip - <i>curb side - without cart stops</i>	P-9081336000
17	Plastic cap tip - <i>driver side - with cart stops</i>	P-9083238000
	Plastic cap tip - <i>driver side - without cart stops</i>	P-9081336010
18	Plastic cap head - <i>curb side</i>	P-9083229000
19	Plastic cap head - <i>driver side</i>	P-9083230000
20	Sliding rod	P-1406248
21	Spring	P-1408661
22	Plastic hold down clip	P-2004637
23	Plastic rod support	P-1406245
24	Spring clip	P-1409349
25	Plastic bracket	P-2019337
26	Side profile bottom	P-9832521700
27	Side profile top	P-1244631
28	Clevis - <i>curb side</i>	P-2005955
29	Clevis - <i>driver side</i>	P-2005954



**ILFS PLATFORM**

**Steel-Aluminum platform**

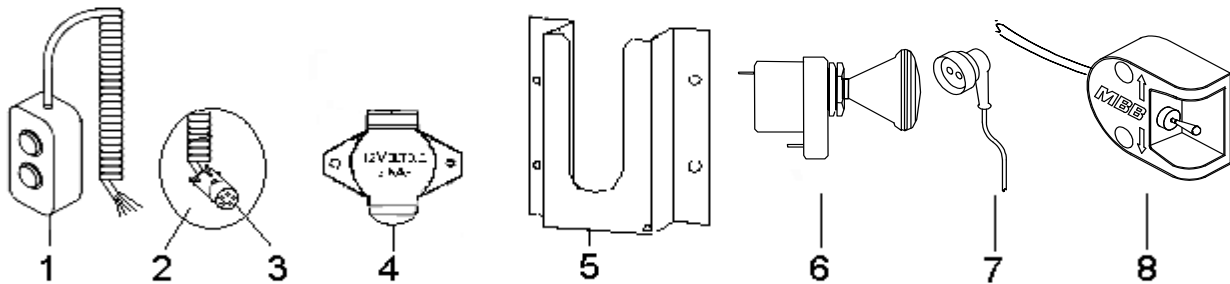
Cartstop - spring loaded



No.	Description	Part no.
1	Platform - steel/alu specific length and width size	on request
2	Main section specific length and width size	on request
3	Tip section specific length and width size	on request
4	Shackle	see above
5	Hinge - width 5 3/8" (137mm)	4ILPH-A
6	Cart stop lid - curb side	P-2006698
7	Cart stop lid - driver side	P-2006697
8	Pin platform, shackle, lift arm	P-1407655
9	Pin shackle, parallel arm	P-1227943
10	Pin main section, hinge	4ILPP-A
11	Coil spring - curb side	P-1264848
12	Coil spring - driver side	P-1264857
13	Torsion spring bushing	P-1228526
14	Torsion bar - for 48" platform	P-9083175070
	Torsion bar - for 60" platform	P-9083175090
15	Torsion bar retainer / eyenut	P-2004522
16	Plastic cap tip - curb side - with cart stops	P-9083239000
	Plastic cap tip - curb side - without cart stops	P-9081336000
17	Plastic cap tip - driver side - with cart stops	P-9083238000
	Plastic cap tip - driver side - without cart stops	P-9081336010
20	Sliding rod	P-1406248
21	Spring	P-1408661
22	Plastic hold down clip	P-2004637
23	Plastic rod support	P-1406245
24	Spring clip	P-1409349
26	Side profile bottom	P-9832521700
27	Side profile top	P-1244631
28	Pin tip section, hinge	P-67264894



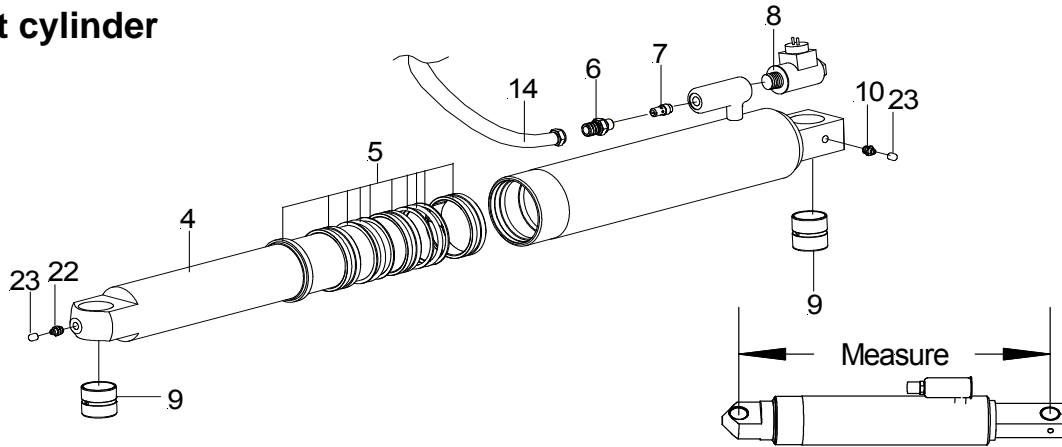
**ILFS CONTROL SYSTEM**



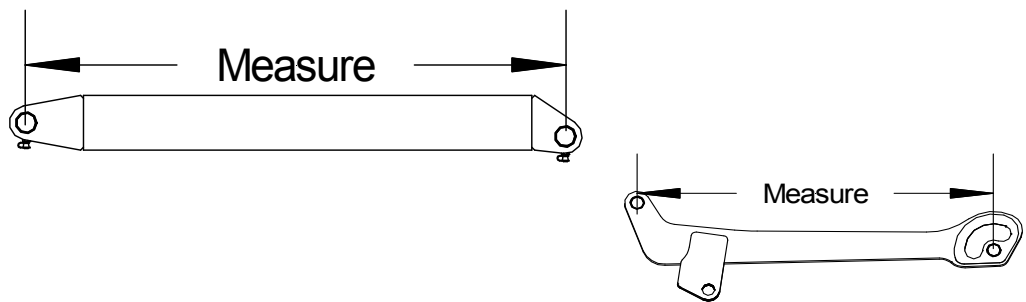
No.	Description	Part no.
1	2 Button hand control with coil	P-72916816
2	2 Button hand control with coil and plug	P-72916816P
3	Plug, 4 way	3-00010
4	Socket, 4 way	3-00011
5	Holster for hand control	1-00050
6	Cab push-pull on-off switch	P-1201838
7	Cable for solenoid valve	P-67254198
8	Toggle switch	P-2004565

**ILFS CYLINDER AND COMPONENTS**

**No.1 Lift cylinder**

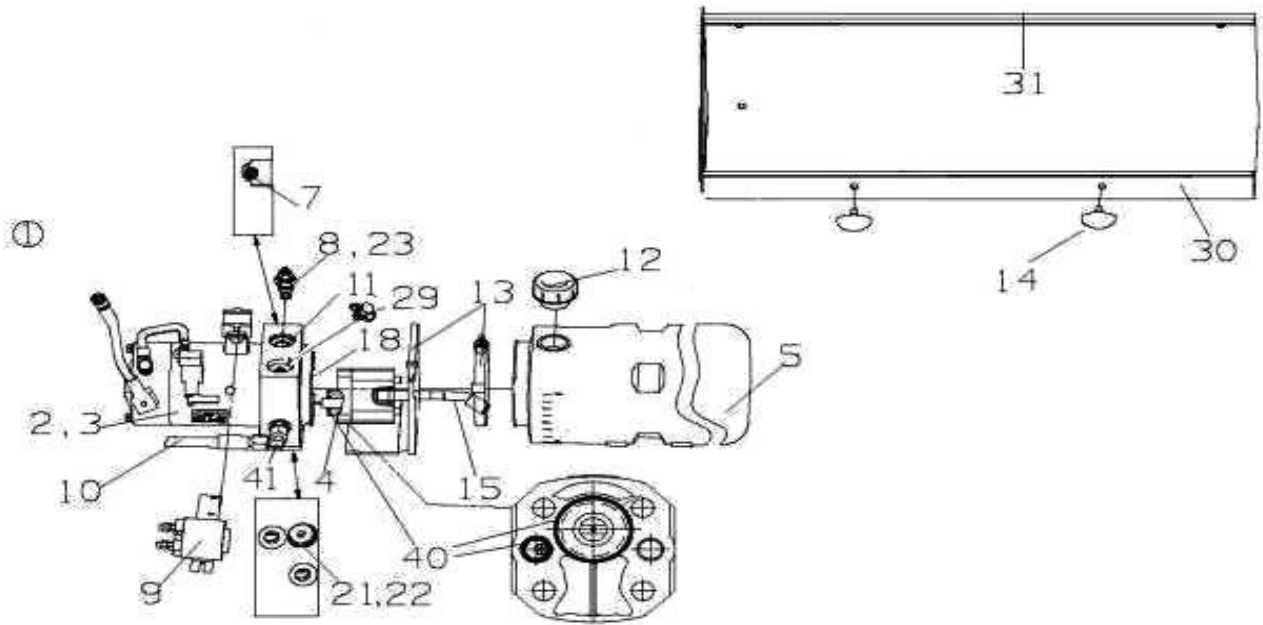


**No.2 Parallel arm**



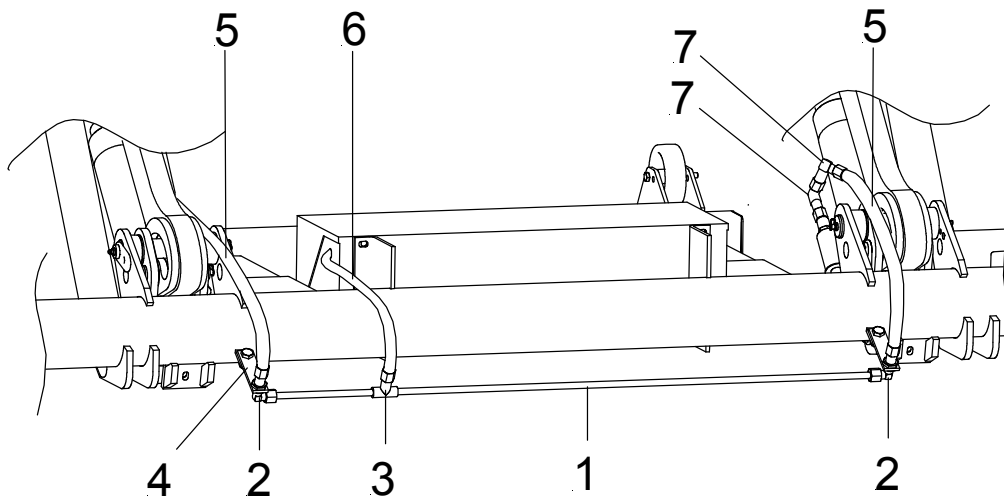
No.	Description	Part no.
	<i>Piston rod diameter- lift cylinder</i>	<b>63mm (2 ½")</b>
	<i>compressed length - lift cylinder</i>	<b>509mm (20")</b>
1	Lift cylinder <i>without release valve</i> 63.28.509	P-1340602
2	Parallel arm - 800mm (31 ½")	P-2005868
	Parallel arm - 900mm (35 ½")	P-2004720
4	Piston rod	P-1400645
5	Rebuild kit	P-1407784
6	Adaptor / hose fitting	P-1188263
7	Restrictor no.2	P-1365484
8	Release valve	P-67282345
9	Bushing	P-1403367
10	Grease zerk	P-69064337
11	Sleeve	P-1097838
12	Clamp	P-68430828
14	Hydraulic hose	P-70605848
22	Grease zerk	P-69064337
23	Red cap	P-1191680

**ILFS POWER PACK**



No.	Description	Part no.
1	Power pack complete with box	P-2020860
2	Motor 12 Volt	P-2020866
3	Carbon brushes kit (4 pieces) - since 2001	P-1410330
	Carbon brushes kit (4 pieces) - till 2001	P-1407399
4	Pump	P-2020618
5	Oil reservoir	P-1404306
7	Shuttle valve	P-2005141
8	Pressure control valve	P-1404297
9	Motor solenoid	P-1404303
10	Hydraulic hose	P-2005387
11	Restrictor no.1	P-1355899
12	Breather cap	P-1404487
13	Clamp kit for oil reservoir	P-1404308
14	Wing screw - size M8 x 16mm	on request
15	Suction pipe with filter	P-2010674
18	Coupler	P-1406291
21	Drain plug	P-66373088
22	Sealing washer	P-1298013
29	Pressure gauge	P-1405397
30	Power pack box	P-1407778
31	Lid for power pack box	2-00085
40	O-seal kit	P-2012576
41	Fitting - 90° Elbow	P-1232266

**ILFS HYDRAULIC PIPE**



No.	Description	Part no.
1	Hydraulic pipe set - <i>without hoses</i>	P-1201034
2	Bulk head fitting - 90° elbow	P-1111066
3	Tee- Fitting	P-1111075
4	Strap - <i>one side</i>	P-1278692
5	Hydraulic hose - <i>to cylinder</i>	P-70605848
6	Hydraulic hose - <i>to power pack</i>	P-2005387
7	90° elbow fitting	P-1232266
8	Olive	P-1130927