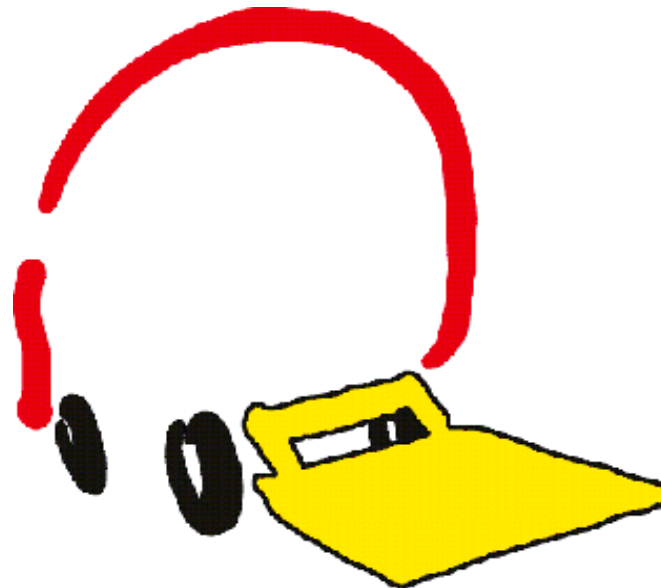




ILR 20, 25, 30

Route Pro

PARTS BREAK DOWN



[Interlift Inc. dba MBB Palfinger](#)

15939 Piuma Ave, Cerritos, CA 90703 TEL. (888)-774-5844 FAX. (562)-924-8318
572 Whitehead Road, Trenton, NJ 08619 TEL.(609)-587-4200 FAX.(609)-587-4201

DATE: 10/15/2010
REVISION: 1

ILR INDEX

ILR - liftgate

Route Pro

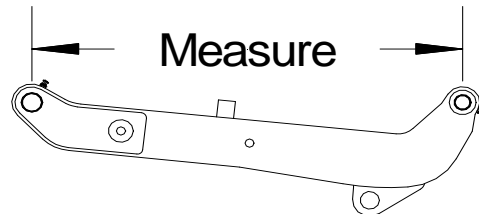
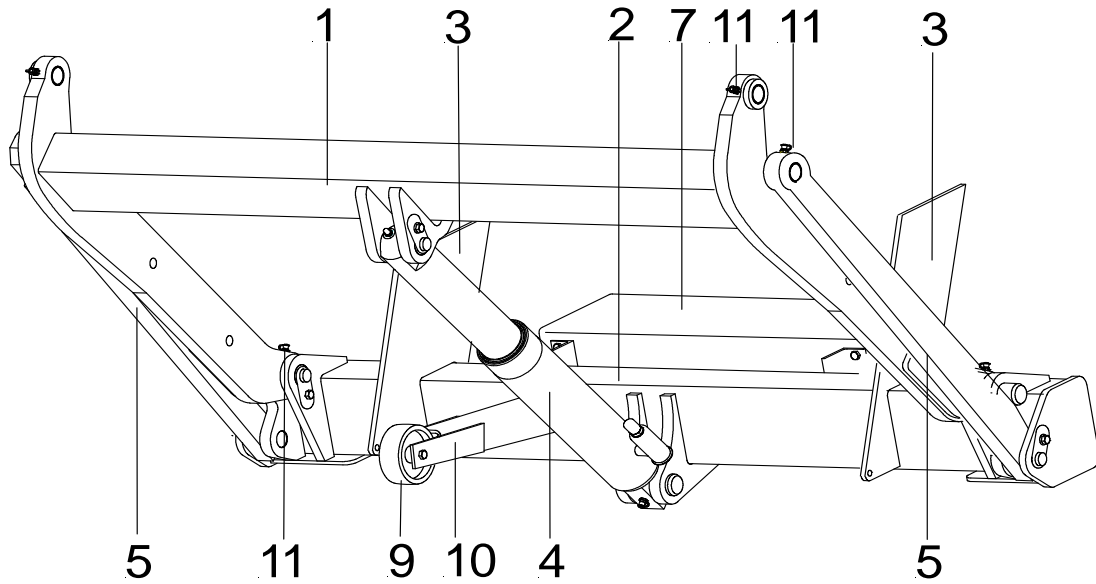
Important gate information:
On the top of the tube on
the driver side

INTERLIFT		PALFINGER <small>South America Division</small>
Cerritos, CA (888) 774-5844 Hainesport, NJ (609) 285-7597		
Model	Serial No.	Date
<input type="text"/>	<input type="text"/>	<input type="text"/>



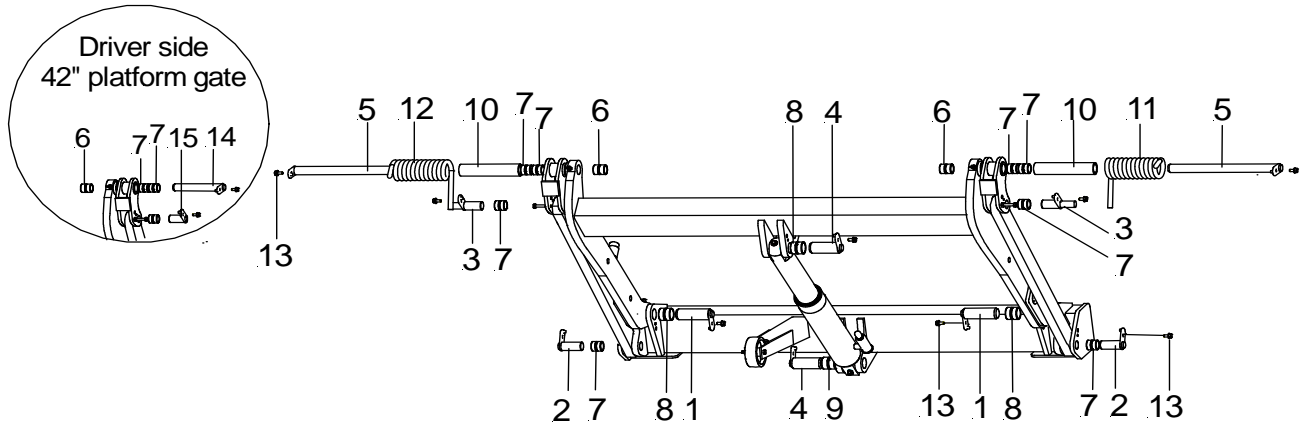
No.	Description	Page
1	LIFTING GEAR	3
2	PINS & BUSHINGS	4
3	BED EXTENSION	5
4	PLATFORM 48" x 80"	6
5	PLATFORM 42" x 80"	7
6	CONTROL SYSTEM	8
7	CYLINDER AND COMPONENTS	9
8	POWER PACK	10

ILR LIFTING GEAR

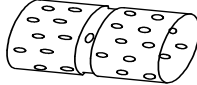


No.	Description	Part no.
1	Lift arm - 800mm (31 ½")	15-0310-000
	Lift arm - 900mm (35 ½")	4ILRLA-A-900
2	Main frame	4ILRMF-P
3	Mount plate	4ILRMP-A
4	Cylinder	P-2004093
5	Parallel arm - 800mm (31 ½")	15-0310-000
	Parallel arm - 900mm (35 ½")	4ILRPA-A-900
7	Power pack lid	2-00085
8	Power pack box - enclosure	P-1407778
9	Wheel with hardware	P-2003774
10	Bracket with wheel and hardware	P-2003724
11	Grease zerk	P-69064337
12	Red cap	P-1191680

ILR PINS & BUSHINGS



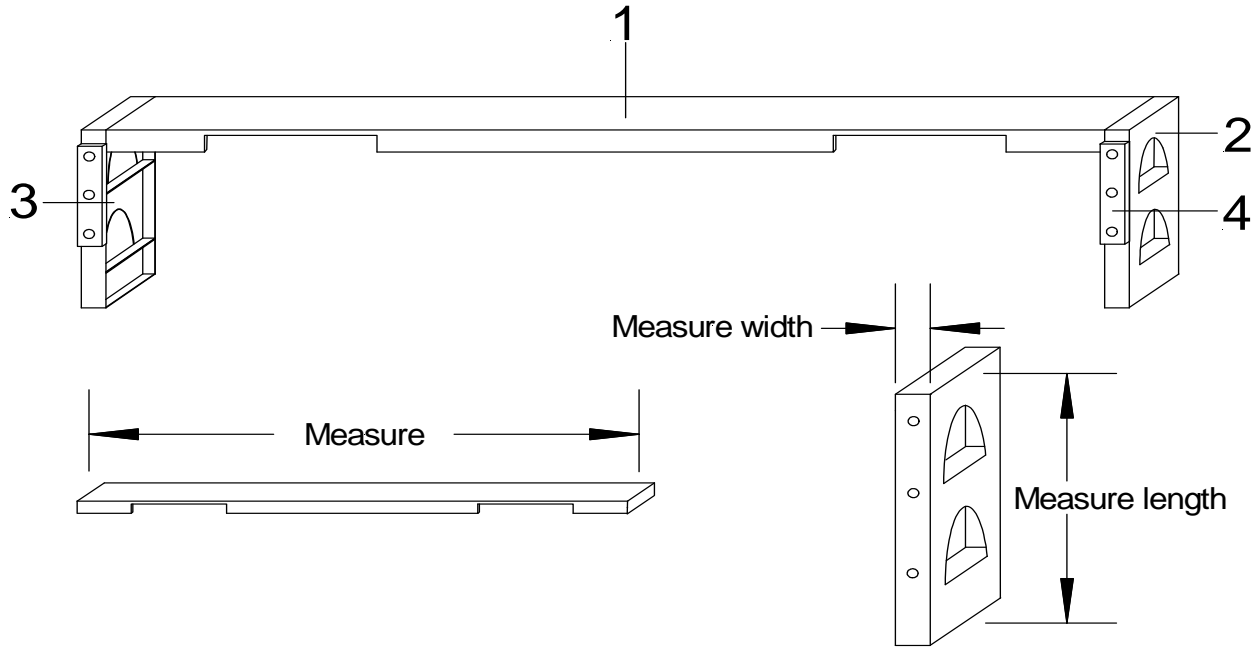
mm	Inch	Part No.
28 x 66	1 1/8 x 2 1/2	P-2003652
28 x 74	1 1/8 x 2 7/8	P-2003651
28 x 105	1 1/8 x 4 1/8	P-2003649
28 x 153	1 1/8 x 6	P-2003653
28 x 365	1 1/8 x 14 3/8	P-2003650
36 x 102	1 3/8 x 4	P-1407100
36 x 115	1 3/8 x 4 1/2	P-1407046



mm	Inch	Part no.
32/28 x 31	1 1/4 / 1 1/8 x 1 1/4	P-1403367
32/28 x 36	1 1/4 / 1 1/8 x 1 3/8	P-1403364
40/36 x 36	1 5/8 / 1 3/8 x 1 3/8	P-1403366
40/36 x 41	1 5/8 / 1 3/8 x 1 5/8	P-1403363

No.	Description	Part no.
PINS		
1	Pin lift arm, tube	P-1407046
2	Pin parallel arm, tube	P-2003651
3	Pin shackle, parallel arm	P-2003649
4	Pin cylinder	P-1407100
5	Pin platform, shackle, lift arm	P-2003650
14	Pin platform, shackle, lift arm - just 42" platform	P-2003653
15	Pin shackle, parallel arm - just 42" platform	P-2003652
BUSHINGS		
6	Bushing lift arm, platform	P-1403364
7	Bushing shackle; parallel arm	P-1403367
8	Bushing tube, lift arm ; cylinder, lift arm	P-1403366
9	Bushing cylinder, tube	P-1403363
10	Torsion spring plastic tube	P-1228526
HARDWARE		
11	Coil spring - curb side	P-1264848
12	Coil spring - driver side	P-1264857
13	Bolt, pin lock	P-2009212

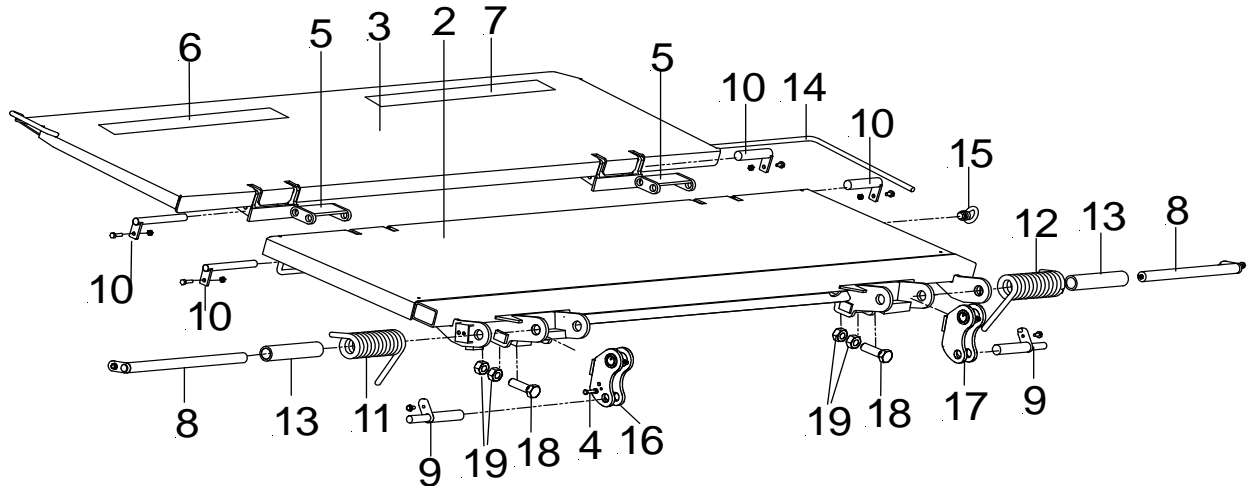
ILR BED EXTENSION AND BUMPERS



No.	Description		Part no.
1	BED EXTENSION		
		length 96" (2440mm)	4ILRBE-P
		length 102" (2590mm)	on request
2	DOCK BUMPER - CURB SIDE		
	2 Step	length 24" (610mm), width 3" (76mm)	1-0001924R
		length 24" (610mm), width 4" (101mm) - HD	1-0001924HDR
		length 24" (610mm), width 4" (101mm) - HD with lights	1-0001924HDR-LC
1 Step	length 20" (533mm), width 3" (76mm)	1-0001920R	
3	DOCK BUMPER - DRIVER SIDE		
	2 Step	length 24" (610mm), width 3" (76mm)	1-0001924L
		length 24" (610mm), width 4" (101mm) - HD	1-0001924HDL
		length 24" (610mm), width 4" (101mm) - HD with lights	1-0001924HDL-LC
1 Step	length 20" (533mm), width 3" (76mm)	1-0001920L	
4	RUBBER BUMPER		
		Rubber bumper	1-00021
	KITS (Curb and driver side)		
	2 Step	Dock bumper - length 24" (610mm), width 3" (76mm)	1-0001924S
		Dock bumper HD - length 24" (610mm), width 4" (101mm)	1-0001924HDS
		Dock bumper HD with lights- length 24" (610mm), width 4" (101mm)	1-0001924HDS-OR
1 Step	Dock bumper - length 20" (533mm), width 3" (76mm)	1-0001920S	

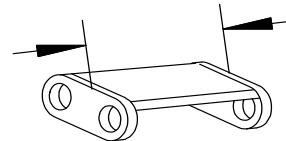
ILR PLATFORM

Steel platform 48" x 80"



Measure

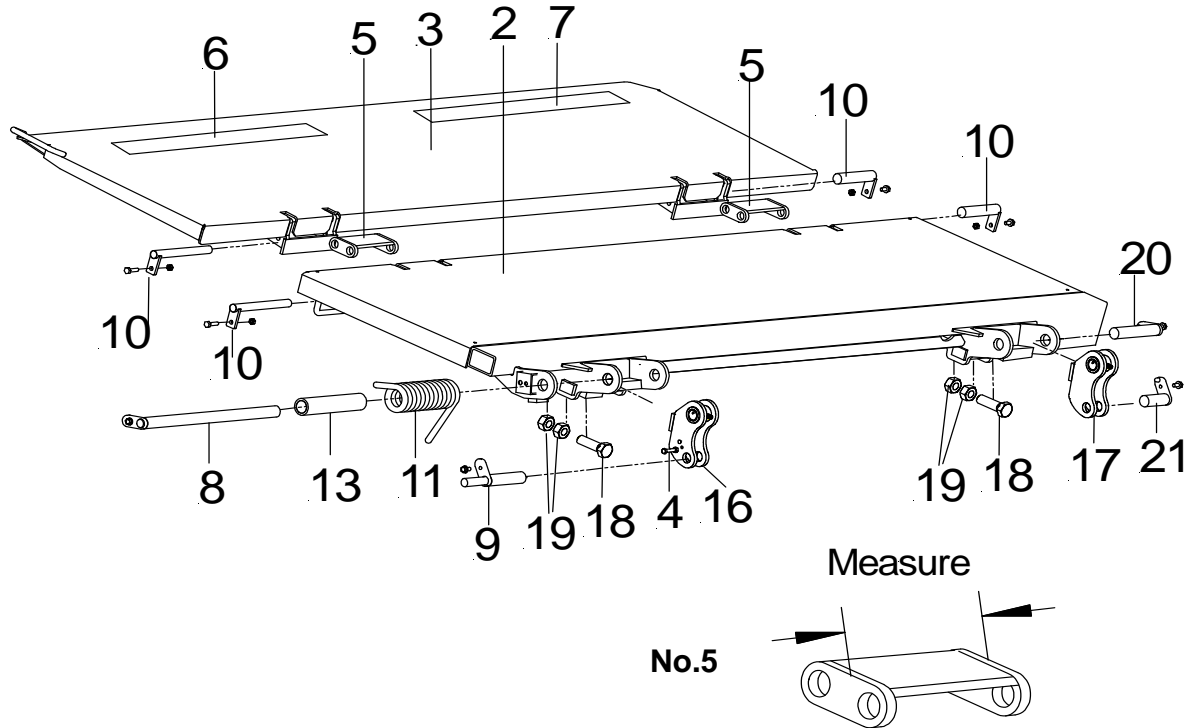
No.5



No.	Description	Part no.
1	Platform - 48" x 80" with cart stops	4ILRP48-P-CS
	Platform - 48" x 80" without cart stops	4ILRP48-P
2	Main section	on request
3	Tip section	on request
4	Bolt - DIN931 M8 x 50	P-66108368
5	Hinge - width 4" (100mm)	4ILRH-A
6	Cart stop - curb side	1-00005L
7	Cart stop - driver side	1-00005R
8	Pin platform, shackle, lift arm	P-2003650
9	Pin shackle, parallel arm	P-2003649
10	Pin main section, tip section	4ILPP-A
11	Coil spring - curb side	P-1264848
12	Coil spring - driver side	P-1264857
13	Torsion spring plastic tube	P-1228526
14	Torsion bar (63" length) - for 48" platform	P-1409441
15	Torsion bar retainer	P-2004522
16	Shackle - curb side	4ILRSC-P-ASSY
17	Shackle - driver side	4ILRSD-P-ASSY
18	Bolt - hex head M24-3.0 x 80	P-2004732
19	Nut - hex nut 24mm	P-67243196

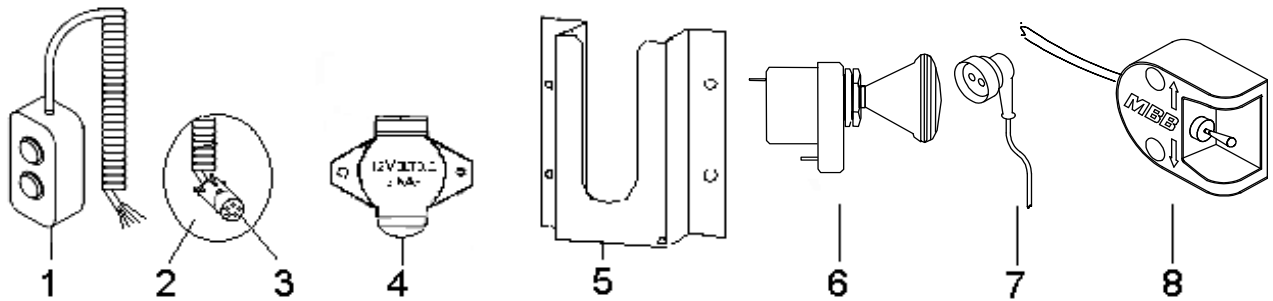
ILR PLATFORM

Steel platform 42" x 80"



No.	Description	Part no.
1	Platform - 42" x 80" with cart stops	4ILRP42-P-CS
	Platform - 42" x 80" without cart stops	4ILRP42-P
2	Main section	on request
3	Tip section	on request
4	Bolt - DIN931 M8 x 50	P-66108368
5	Hinge - width 4" (100mm)	4ILRH-A
6	Cart stop - curb side	1-00005L
7	Cart stop - driver side	1-00005R
8	Pin platform, shackle, lift arm	P-2003650
9	Pin shackle, parallel arm	P-2003649
10	Pin main section, tip section	4ILPP-A
11	Coil spring - curb side	P-1264848
13	Torsion spring plastic tube	P-1228526
16	Shackle - curb side	4ILRSC-P-ASSY
17	Shackle - driver side	4ILRSD-P-ASSY
18	Bolt - hex head M24-3.0 x 80	P-2004732
19	Nut - hex nut 24mm	P-67243196
20	Pin platform, shackle, lift arm	P-2003653
21	Pin shackle, parallel arm	P-2003652

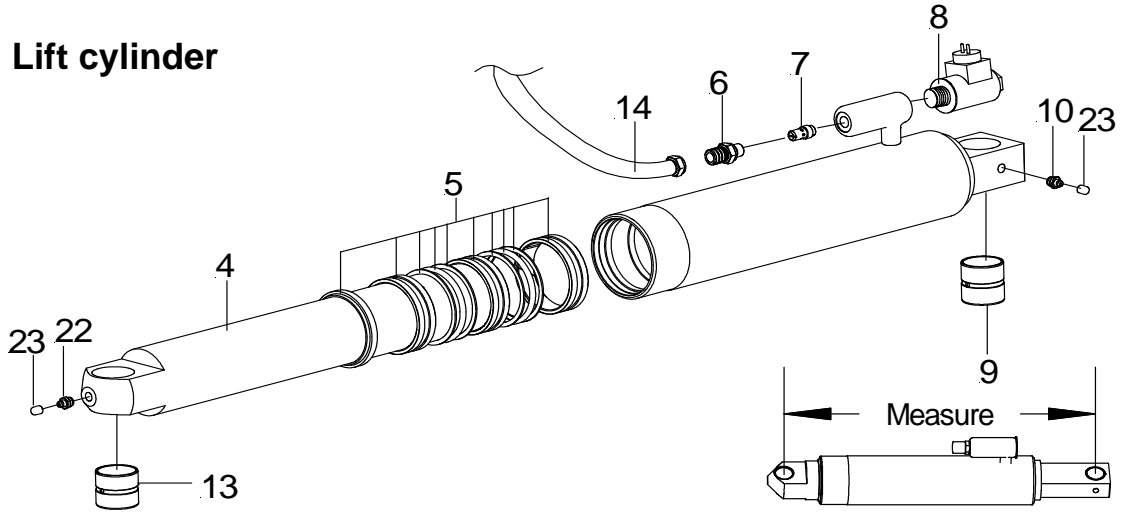
ILR CONTROL SYSTEM



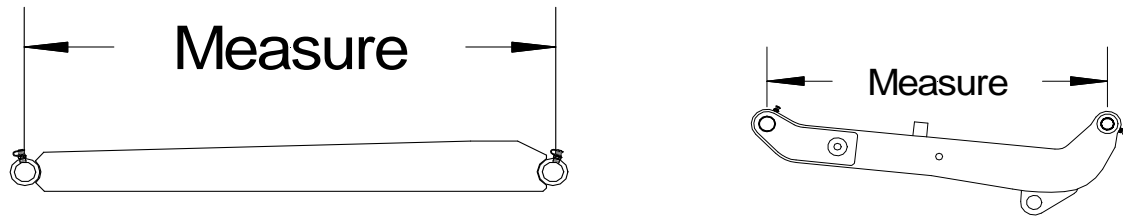
No.	Description	Part no.
1	2 Button hand control with coil	P-72916816
2	2 Button hand control with coil and plug	P-72916816P
3	Plug, 4 way	3-00010
4	Socket, 4 way	3-00011
5	Holster for hand control	1-00050
6	Cab push-pull on-off switch	P-1201838
7	Cable for solenoid valve	P-67254198
8	Toggle switch	P-2004565

ILR CYLINDER AND COMPONENTS

No.1 Lift cylinder

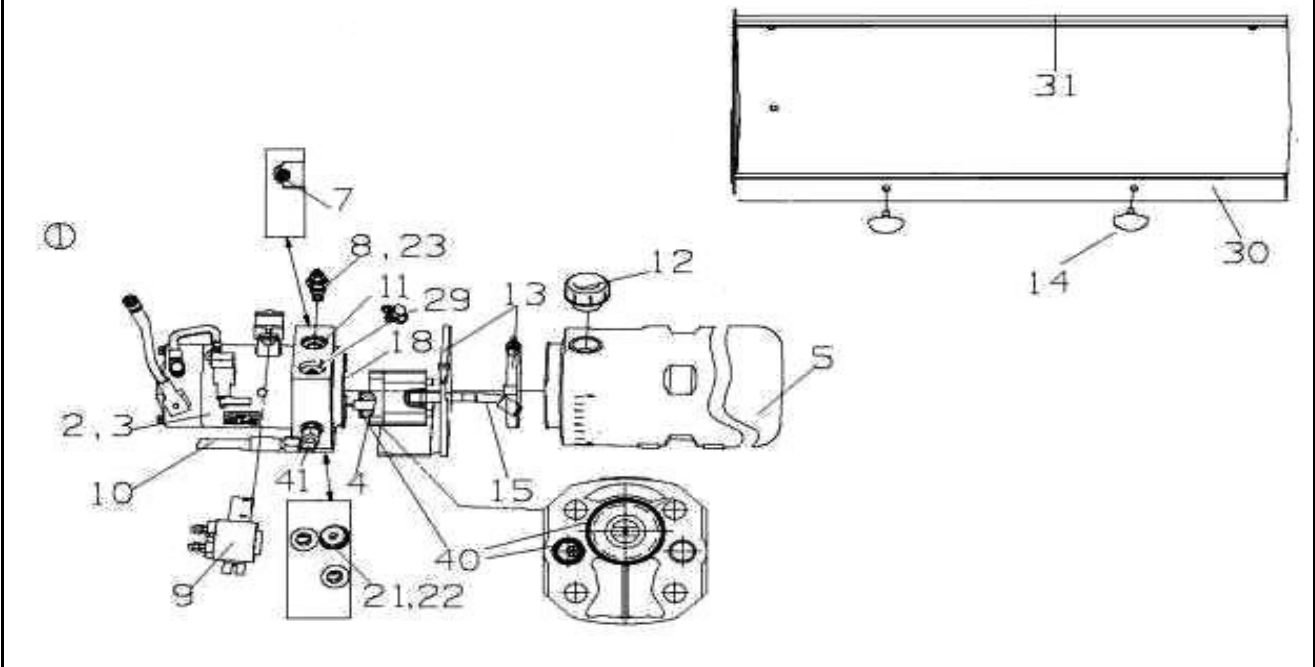


No.2 Parallel arm



No.	Description	Part no.
	<i>Piston rod diameter- lift cylinder</i>	70mm (2 ¾")
	<i>compressed length - lift cylinder</i>	516mm (20 ¼")
1	Lift cylinder <i>without release valve</i> 70.36.516	P-2004093
2	Parallel arm - 800mm (31 ½")	15-0310-000
	Parallel arm - 900mm (35 ½")	4ILRPA-A-900
4	Piston rod	P-2004096
5	Rebuild kit	P-2021847
6	Adaptor / hose fitting	P-1188263
7	Restrictor no.4	P-1363828
8	Release valve	P-67282345
9	Bushing	P-1403363
10	Grease zerk	P-69064337
11	Sleeve	P-1098362
12	Clamp	P-68734258
13	Bushing	P-1403366
14	Hydraulic hose - 51" (1300mm)	P-2005387
22	Grease zerk	P-69064337
23	Red cap	P-1191680

ILR POWER PACK



No.	Description	Part no.
1	Power pack complete with box	P-2020860
2	Motor 12 Volt	P-2020866
3	Carbon brushes kit (4 pieces) - since 2001	P-1410330
4	Carbon brushes kit (4 pieces) - till 2001	P-1407399
4	Pump	P-2020618
5	Oil reservoir	P-1404306
7	Shuttle valve	P-2005141
8	Pressure control valve	P-1404297
9	Motor solenoid	P-1404303
10	Hydraulic hose	P-2005387
11	Restrictor no.1	P-1355899
12	Breather cap	P-1404487
13	Clamp kit for oil reservoir	P-1404308
14	Wing screw - size M8 x 16mm	on request
15	Suction pipe with filter	P-2010674
18	Coupler	P-1406291
21	Drain plug	P-66373088
22	Sealing washer	P-1298013
29	Conector for pressure gauge	P-1405397
30	Power pack box	P-1407778
31	Lid for power pack box	2-00085
40	O-seal kit	P-2012576
41	Fitting - 90° Elbow	P-1232266