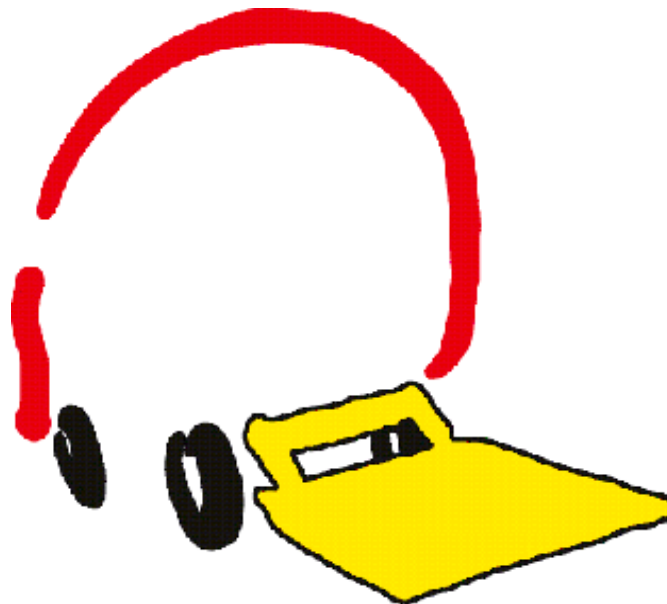




ILT 35, 40
ILT- WR 35

Twin Fold

PARTS BREAK DOWN



[Interlift Inc. dba MBB Palfinger](#)

15939 Piuma Ave, Cerritos, CA 90703 TEL. (888)-774-5844 FAX. (562)-924-8318
572 Whitehead Road, Trenton, NJ 08619 TEL.(609)-587-4200 FAX.(609)-587-4201

DATE: 10/15/2010

REVISION: 1

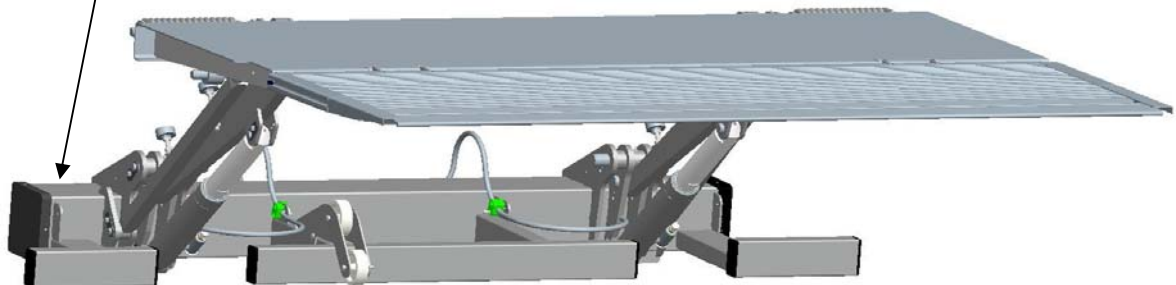
ILT INDEX

ILT - liftgate

Twin Fold

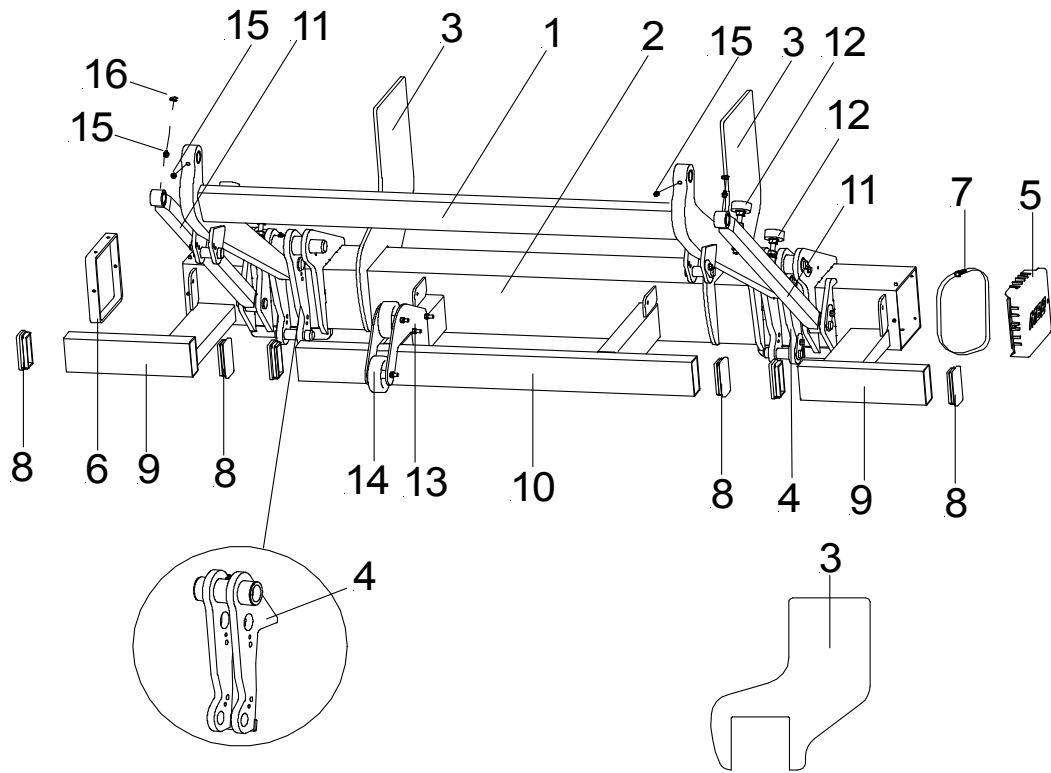
Important gate information:
On the top of the tube on
the driver side

INTERLIFT		PALFINGER <small>North America Division</small>
Cerritos, CA	(888) 774 - 5844	
Hainesport, NJ	(609) 285 - 7997	
Model	Serial No.	Date
<input type="text"/>	<input type="text"/>	<input type="text"/>



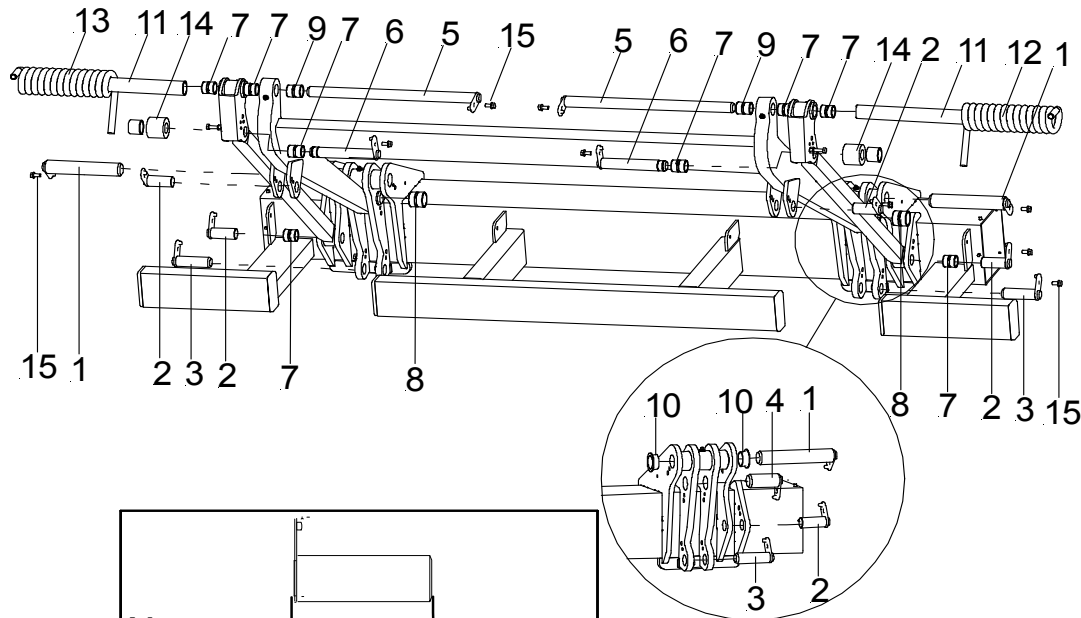
No.	Description	Page
1	LIFTING GEAR	3
2	PINS & BUSHINGS	4
3	BED EXTENSION	5
4	PLATFORM aluminum / aluminum	6
5	PLATFORM steel / aluminum	7
6	CONTROL SYSTEM	8
7	CYLINDER AND COMPONENTS	9
8	POWER PACK	10
9	HYDRAULIC PIPE SYSTEM	11

ILT LIFTING GEAR



No.	Description	Part no.
1	Lift arm	10-1007-100
2	Main frame	01-1007-100
	Main frame for ILT- WR (with walk ramp)	01-1007-200
3	Mount plate	60-1007-201
4	Swinging fixture	05-1007-100
5	Rubber cover with hinge for control system	P-2007 474
6	Rober cover	P-6848 3018
7	Clamp for cover	P-2010 169
8	Mount tube plastic end	P-2013 674
9	Bumper - <i>outer</i>	on request
10	Bumper - <i>center</i>	on request
11	Parallel arm	15-1009-100
12	Rubber snubber with hardware	P-112 8624
13	Wheel bracket assembly	60-1007-500
14	One wheel with hardware	P-2003 774
15	Grease zerk	P-6906 4337
16	Red cap	P-1191 680

ILT PINS & BUSHINGS

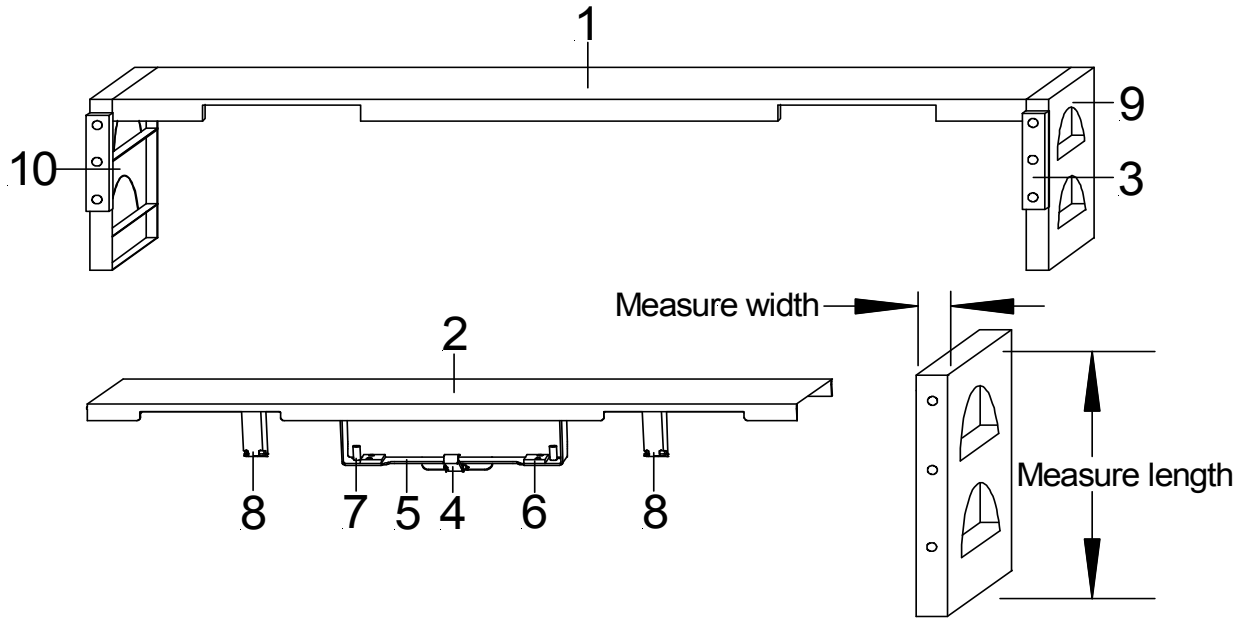


mm	Inch	Part No.
28 x 74	1 1/8 x 2 7/8	P-2003651
28 x 99	1 1/8 x 3 7/8	P-1326307
28 x 180	1 1/8 x 7	P-1354169
28 x 453	1 1/8 x 17 3/4	P-1353966
36 x 91	1 3/8 x 3 1/2	P-1350394
36 x 206	1 3/8 x 8 1/8	P-1403348

mm	Inch	Part no.
32/28 x 31	1 1/4 / 1 1/8 x 1 1/4	P-1403367
32/28 x 36	1 1/4 / 1 1/8 x 1 3/8	P-1403364
40/36 x 36	1 1/2 / 1 3/8 x 1 3/8	P-1403366
40/36/50 x 17	1 1/2 / 1 3/8 / 2 x 5/8	P-1278682

No.	Description	Part no.
PINS		
1	Pin <i>swinging fixture, tube</i>	P-140 3348
2	Pin <i>parallel arm, tube ; lift cylinder, lift arm</i>	P-200 3651
3	Pin <i>lift cylinder, swinging fixture</i>	P-132 6307
4	Pin <i>swinging fixture, lift arm</i>	P-135 0394
5	Pin <i>platform, shackle, lift arm</i>	P-135 3966
6	Pin <i>incl. steel roller kit</i>	P-1405023
BUSHINGS		
7	Bushing <i>shackle, parallel arm</i>	P-140 3367
8	Bushing <i>lift arm, tube</i>	P-140 3366
9	Bushing <i>lift arm</i>	P-140 3364
10	Bushing <i>swinging fixture</i>	P-127 8682
11	Torsion spring plastic tube	P-122 8526
HARDWARE		
12	Coil spring - <i>curb side</i>	P-201 4616
13	Coil spring - <i>driver side</i>	P-201 4617
14	Roller, steel	P-201 4620
15	Bolt, pin lock	P-200 9212
KITS		
	Pin kit <i>incl. hardware</i>	on request
	Bushing kit <i>without no. 10 (Torsion spring bushing)</i>	on request

ILT BED EXTENSION AND BUMPERS

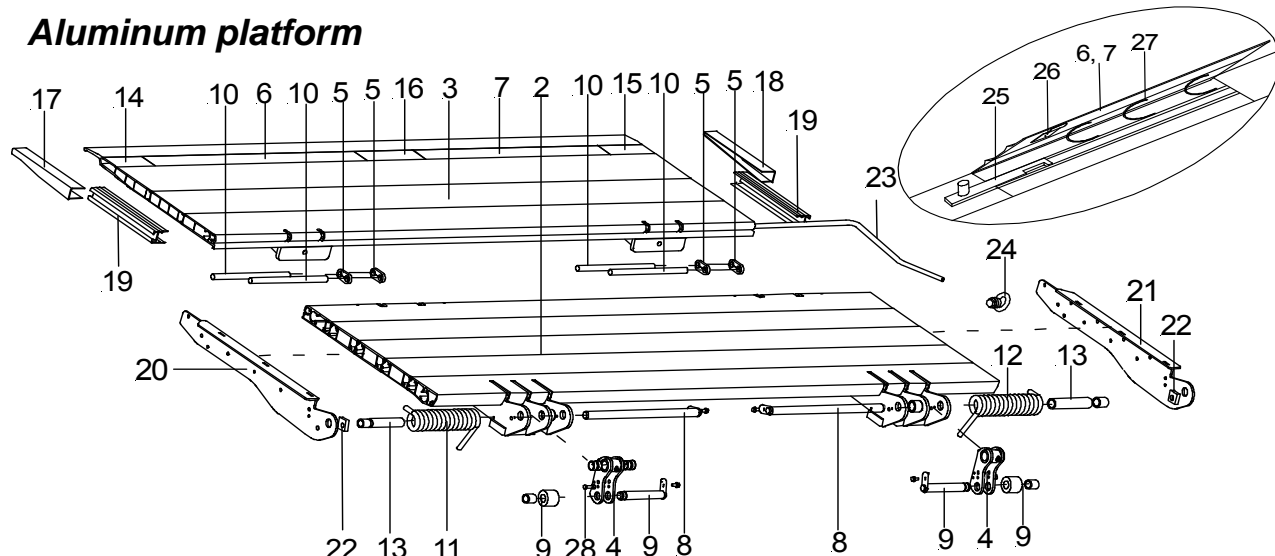


No.	Description	Part no.	
1	Bed extension - length 102" (2590mm)	60-1007-100	
2	Bed extension for walk ramp - length 102" (2590mm)	60-1009-100-WR	
3	Rubber bumper	1-00021	
4	Latch assembly	60-1009-400	
5	Walk ramp U-frame bracket	60-1009-201	
6	Slide block	60-1009-111	
7	Tube	60-1009-112	
8	Up stop	60-1009-301	
DOCK BUMPER - CURB SIDE			
9	2 Step	length 24" (610mm), width 3" (76mm)	1-0001924R
		length 24" (610mm), width 4" (101mm) - HD	1-0001924HDR
		length 24" (610mm), width 4" (101mm) - HD with lights	1-0001924HDR-LC
	1 Step	length 20" (533mm), width 3" (76mm)	1-0001920R
DOCK BUMPER - DRIVER SIDE			
10	2 Step	length 24" (610mm), width 3" (76mm)	1-0001924L
		length 24" (610mm), width 4" (101mm) - HD	1-0001924HDL
		length 24" (610mm), width 4" (101mm) - HD with lights	1-0001924HDL-LC
	1 Step	length 20" (533mm), width 3" (76mm)	1-0001920L
KITS (Curb and driver side)			
2 Step	Dock bumper - length 24" (610mm), width 3" (76mm)		1-0001924S
	Dock bumper HD - length 24" (610mm), width 4" (101mm)		1-0001924HDS
	Dock bumper HD with lights - length 24" (610mm), width 4" (101mm)		1-0001924HDS-OR
1 Step	Dock bumper - length 20" (533mm), width 3" (76mm)		1-0001920S

ILT PLATFORM

Aluminum platform

Cartstop - spring loaded

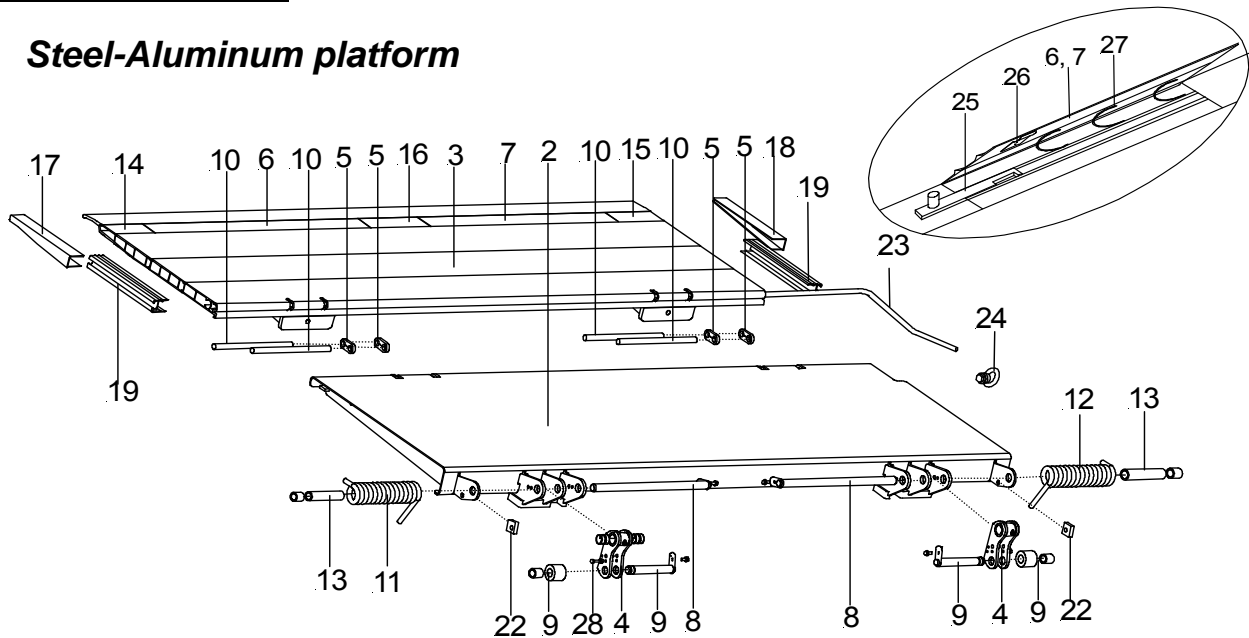


No.	Description	Part no.
1	Platform with cartstops - alu/alu	20-1009-400
	Platform without cartstops - alu/alu	20-1009-300
2	Main section - alu	21-1009-000
3	Tip section with cartstops	P-2016 514
	Tip section without cartstops	P-2015 658
4	Shackle	25-1009-200
5	Hinge	20-1007-101
6	Cart stop lid - curb side	P-2000 249
7	Cart stop lid - driver side	P-2000 250
8	Pin platform, shackle, lift arm	P-1353 966
9	Pin incl. steel roller kit	P-1405023
10	Pin main section, tip section	P-6726 4894
11	Coil spring - curb side	P-2014 616
12	Coil spring - driver side	P-2014 617
13	Torsion spring plastic tube	P-1228 526
14	Side fill in - curb side	P-2006 651
15	Side fill in - driver side	P-2006 651
16	Center fill in	P-2000 267
17	Aluminum cap tip - curb side - with cart stops	P-1408 523
	Aluminum cap tip - curb side - without cart stops	on request
18	Aluminum cap tip - driver side - with cart stops	P-1408 524
	Aluminum cap tip - driver side - without cart stops	on request
19	Side profile tip section - cut to required length	P-140 8521
20	Side profile main section - curb side	21-1009-300
21	Side profile main section - driver side	21-1009-400
22	Plate for coil spring adjustment	60-1007-301
23	Torsion bar	P-2006 410
24	Torsion bar retainer / eyenut	P-2004 522
25	Interlock latch - curb side	P-2000 888A
	Interlock latch - driver side	P-1409 347A
26	Spring clip	P-1409 349
27	Spring	P-1408 661

ILT PLATFORM

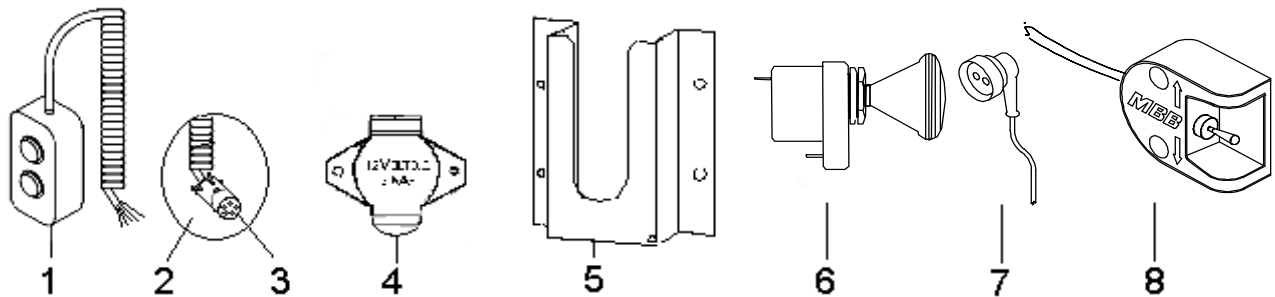
Steel-Aluminum platform

Cartstop - spring loaded



No.	Description	Part no.
1	Platform with cartstops - <i>steel/alu</i>	20-1007-200
	Platform without cartstops - <i>steel/alu</i>	20-1007-100
2	Main section - <i>steel</i>	21-1007-100
3	Tip section <i>with cartstops</i>	P-2016 514
	Tip section <i>without cartstops</i>	P-2015 658
4	Shackle	25-1007-100
5	Hinge	20-1007-101
6	Cart stop lid - <i>curb side</i>	P-2000 249
7	Cart stop lid - <i>driver side</i>	P-2000 250
8	Pin <i>platform, shackle, lift arm</i>	P-1353 966
9	Pin <i>incl. steel roller kit</i>	P-1405023
10	Pin <i>main section, tip section</i>	P-6726 4894
11	Coil spring - <i>curb side</i>	P-2014 616
12	Coil spring - <i>driver side</i>	P-2014 617
13	Torsion spring plastic tube	P-1228 526
14	Side fill in - <i>curb side</i>	P-2006 651
15	Side fill in - <i>driver side</i>	P-2006 651
16	Center fill in	P-2000 267
17	Aluminum cap tip - <i>curb side - with cart stops</i>	P-1408 523
	Aluminum cap tip - <i>curb side - without carts tops</i>	on request
18	Aluminum cap tip - <i>driver side - with cart stops</i>	P-1408 524
	Aluminum cap tip - <i>driver side - without cart stops</i>	on request
19	Side profile for tip section - <i>cut to required length</i>	P-140 8521
22	Plate for coil spring adjustment	60-1007-301
23	Torsion bar	P-2006 410
24	Torsion bar retainer / <i>eyenut</i>	P-2004 522
25	Interlock latch - <i>curb side</i>	P-2000 888A
	Interlock latch - <i>driver side</i>	P-1409 347A
26	Spring clip	P-1409 349
27	Spring	P-1408 661

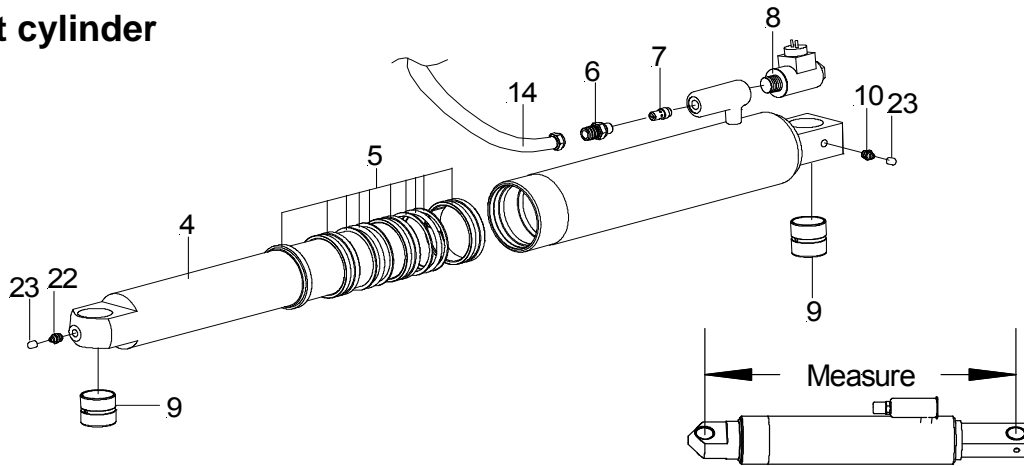
ILT CONTROL SYSTEM



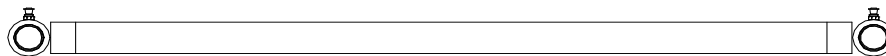
No.	Description	Part no.
1	2 Button hand control with coil	P-7291 6816
2	2 Button hand control with coil and plug	P-7291 6816P
3	Plug, 4 way	3-00010
4	Socket, 4 way	3-00011
5	Holster for hand control	1-00050
6	Cab push-pull on-off switch	P-1201 838
7	Cable for solenoid valve	P-6725 4198
8	Toggle switch	P-2004 565

ILT CYLINDER AND COMPONENTS

No.1 Lift cylinder

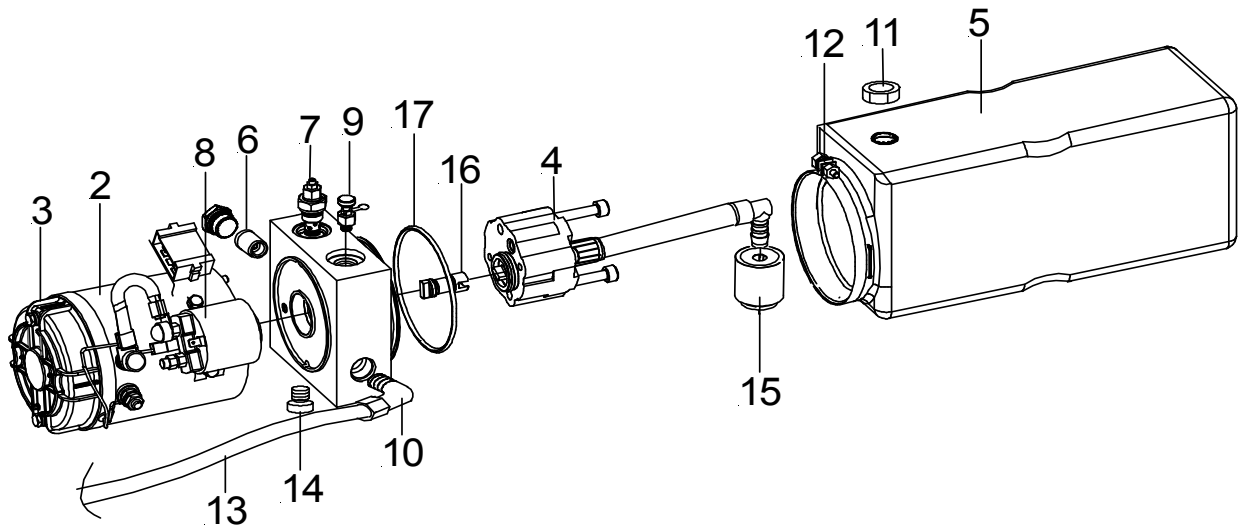


No.2 Parallel arm



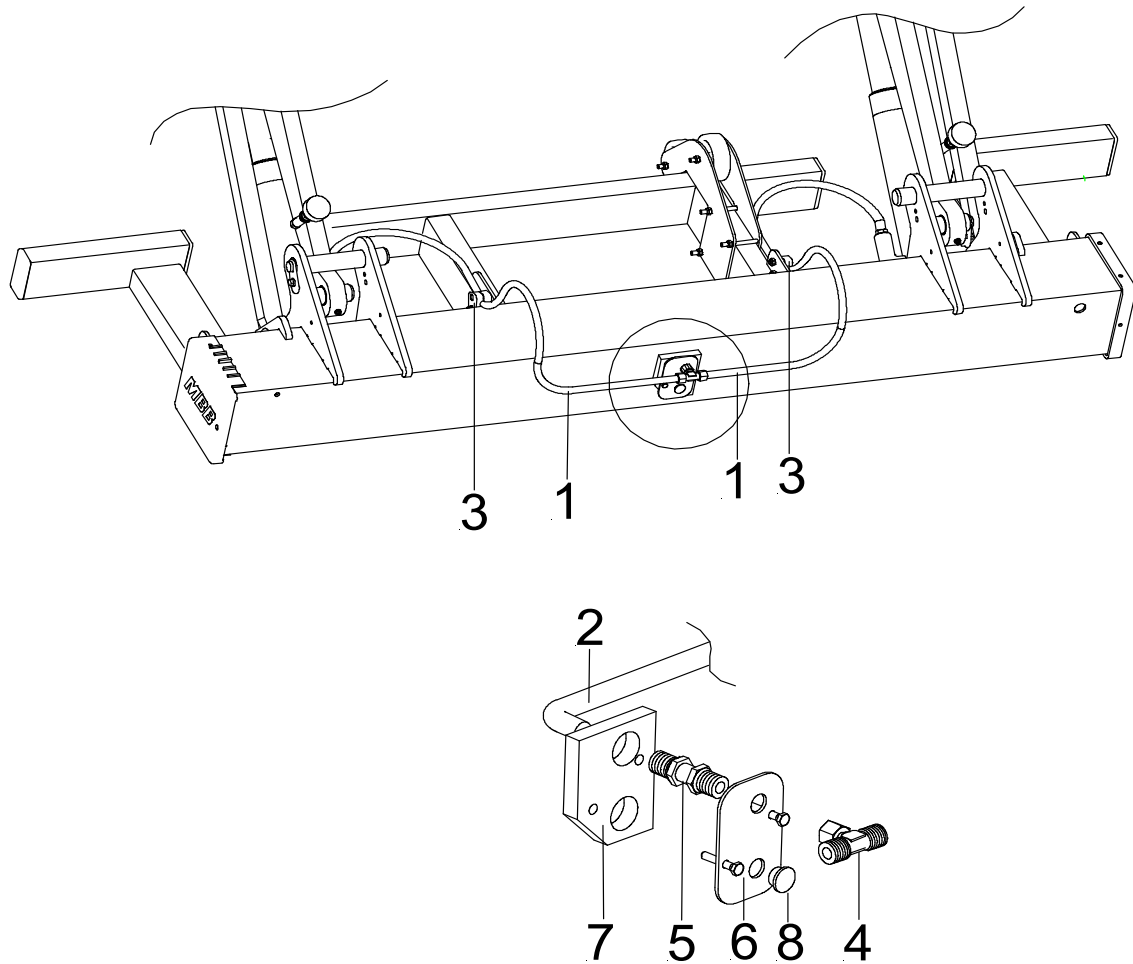
No.	Description	Part no.
	<i>Piston rod diameter- lift cylinder</i>	63mm (2 1/2")
	<i>compressed length - lift cylinder</i>	498mm (19 1/2")
1	Lift cylinder <i>without</i> release valve 63.28.498	P-2016 765
2	Parallel arm - 900mm (35 1/2")	15-1007-100
4	Piston rod	P-2016 761
5	Rebuild kit	P-1407 784
6	Adaptor / hose fitting	P-1188 263
7	Restrictor no.3	P-1355 942
8	Release valve	P-6728 2345
9	Bushing	P-1403 367
10	Grease zerk	P-6906 4337
11	Sleeve	P-1097 838
12	Clamp	P-6843 0828
14	Hydraulic hose	P-1273 114
22	Grease zerk	P-6906 4337
23	Red cap	P-1191 680

ILT POWER PACK



No.	Description	Part no.
1	Power pack	P-202 0859
2	Motor 12 Volt	P-202 0866
3	Carbon brushes kit (4 pieces)	P-141 0330
4	Pump incl. coupler, pipe, filter	P-202 0618
5	Oil reservoir	P-140 4306
6	Shuttle valve	P-200 5141
7	Pressure control valve	P-140 4297
8	Motor solenoid	P-140 4303
9	Pressure gauge	P-140 5397
10	Fitting - 90° Elbow	P-100 0180
11	Breather cap	P-140 4487
12	Clamp kit for oil reservoir	P-140 4308
13	Hydraulic hose	P-200 4473
14	Drain plug	P-6637 3088
15	Pump filter	P-201 8681
16	Coupler 3/4" x 7/8" (18mmx23mm) - <i>early style</i>	P-140 6291
	Coupler 3/4" x 1-3/8" (18mmx34mm) - <i>new style</i>	P-202 0617
17	Sealing ring	P-200 9743

ILT HYDRAULIC PIPE SYSTEM



No.	Description	Part no.
1	Hydraulic hose - to cylinder	P-1273 114
2	Hydraulic hose - to power pack	P-2004 473
3	Green plastic holder	P-2011 391
4	Tee- Fitting	P-1232 239
5	Bulk head fitting	P-1111 057
6	Fitting plate	P-2012 920
7	Rubber plate	P-1114 049
8	Plastic plug	P-1296 920