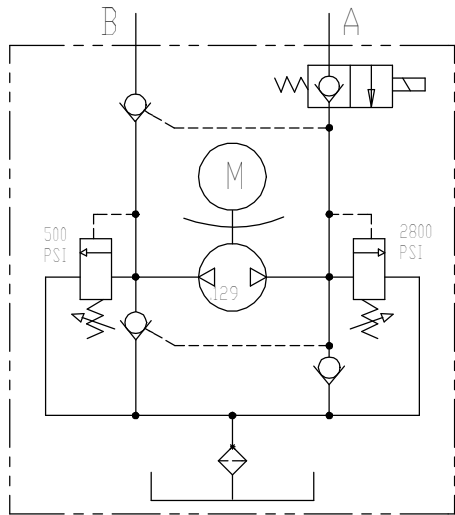


**** XA-58360 WITH POTTED TOGGLE: WIRING DIAGRAM ****



HYDRAULIC SCHEMATIC

