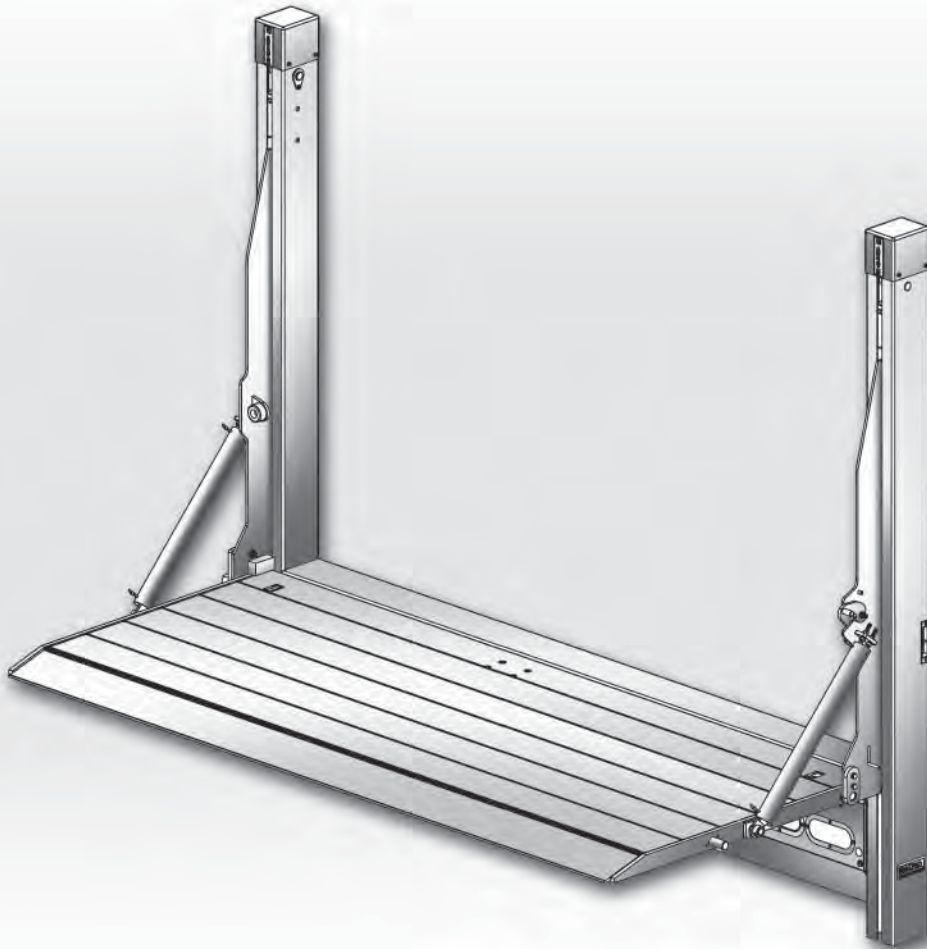


M-11-15
APRIL 2012



MAXON[®] DMD Series

MAINTENANCE MANUAL DMD-22 & DMD-33



MAXON[®]

LIFT CORP.

11921 Slauson Ave.
Santa Fe Springs, CA. 90670

CUSTOMER SERVICE:

TELEPHONE (562) 464-0099 TOLL FREE (800) 227-4116

FAX: (888) 771-7713

NOTE: For latest version of all Manuals (and replacements), download the Manuals from Maxon's website at www.maxonlift.com.

WARRANTY/ RMA POLICY & PROCEDURE

LIFTGATE WARRANTY

Type of Warranty: Full Parts and Labor
Term of Warranty: Standard Liftgates - 2 years from ship date or 6,000 cycles
Premium Liftgates - 2 years from ship date or 10,000 cycles

This warranty shall not apply unless the product is installed, operated and maintained in accordance with MAXON Lift's specifications as set forth in MAXON Lift's Installation, Operation and Maintenance manuals. This warranty does not cover normal wear, maintenance or adjustments, damage or malfunction caused by improper handling, installation, abuse, misuse, negligence, or carelessness of operation. In addition, this warranty does not cover equipment that has had unauthorized modifications or alterations made to the product.

MAXON agrees to replace any components which are found to be defective during the first 2 years of service, and will reimburse for labor based on MAXON's Liftgate Warranty Flat Rate Schedule. (Copy of the Flat Rate is available at www.maxonlift.com.)

All warranty repairs must be performed by an authorized MAXON warranty facility. For any repairs that may exceed \$500, including parts and labor, MAXON's Technical Service Department must be notified and an "Authorization Number" obtained.

All claims for warranty must be received within 30 Days of the repair date, and include the following information:

1. Liftgate Model Number and Serial Number
2. The End User must be referenced on the claim
3. Detailed Description of Problem
4. Corrective Action Taken, and Date of Repair
5. Parts used for Repair, Including MAXON Part Number(s)
6. MAXON R.M.A. # and/or Authorization # if applicable (see below)
7. Person contacted at MAXON if applicable
8. Claim must show detailed information i.e. Labor rate and hours of work performed

Warranty claims can also be placed online at www.maxonlift.com. Online claims will be given priority processing.

All claims for warranty will be denied if paperwork has not been received or claim submitted via Maxon website for processing by MAXON's Warranty Department within 30 days of repair date.

All components may be subject to return for inspection, prior to the claim being processed. MAXON products may not be returned without prior written approval from MAXON's Technical Service Department. Returns must be accompanied by a copy of the original invoice or reference with original invoice number and are subject to a credit deduction to cover handling charges and any necessary reconditioning costs. **Unauthorized returns will be refused and will become the responsibility of the returnee.**

Any goods being returned to MAXON Lift must be pre-approved for return, and have the R.M.A. number written on the outside of the package in plain view, and returned freight prepaid. All returns are subject to a 15% handling charge if not accompanied by a detailed packing list. Returned parts are subject to no credit and returned back to the customer. Defective parts requested for return must be returned within 30 days of the claim date for consideration to:

MAXON Lift Corp.
10321 Greenleaf Ave., Santa Fe Springs, CA 90670
Attn: RMA# _____

MAXON's warranty policy does not include the reimbursement for travel time, towing, vehicle rental, service calls, oil, batteries or loss of income due to downtime. Fabrication or use of non Maxon parts, which are available from MAXON, are also not covered.

MAXON's Flat Rate Labor Schedule takes into consideration the time required for diagnosis of a problem.

All Liftgates returned are subject to inspection and a 15% restocking fee. Any returned Liftgates or components that have been installed or not returned in new condition will be subject to an additional reworking charge, which will be based upon the labor and material cost required to return the Liftgate or component to new condition.

PURCHASE PART WARRANTY

Term of Warranty: 1 Year from Date of Purchase.

Type of Warranty: Part replacement only. MAXON will guarantee all returned genuine MAXON replacement parts upon receipt and inspection of parts and original invoice.

All warranty replacements parts will be sent out via ground freight. If a rush shipment is requested, all freight charges will be billed to the requesting party.

TABLE OF CONTENTS

WARNINGS	6
SAFETY INSTRUCTIONS	6
LIFTGATE TERMINOLOGY	9
PERIODIC MAINTENANCE	10
PREVENTATIVE MAINTENANCE CHECKLIST	10
PERIODIC MAINTENANCE CHECKS	11
CHECKING HYDRAULIC FLUID	12
CHANGING HYDRAULIC FLUID	14
PRESSURIZING HYDRAULIC SYSTEM.....	16
TORSION BAR REPLACEMENT & ADJUSTMENT.....	17
PARTS BREAKDOWN	22
FINAL ASSEMBLY (1-PIECE PLATFORM & 1-PIECE PLATFORM WITH ARR).....	22
FINAL ASSEMBLY (1-PIECE PLATFORM WITH CARTS STOPS)	30
FINAL ASSEMBLY (2-PIECE PLATFORM).....	38
MAIN ASSEMBLY (1-PIECE PLATFORM).....	42
MAIN ASSEMBLY (2-PIECE PLATFORM).....	44
HOUSING COVER WITH LIGHTS ASSEMBLY	46
LH RUNNER (1-PIECE PLATFORM).....	48
RH RUNNER (1-PIECE PLATFORM)	50
LH RUNNER (2-PIECE PLATFORM).....	52
RH RUNNER (2-PIECE PLATFORM)	54
ALUMINUM PLATFORM (1-PIECE WITH SINGLE CART STOPS)	56
ALUMINUM PLATFORM (1-PIECE WITH DUAL CART STOPS)	58
ALUMINUM PLATFORM (1-PIECE WITH ALUMINUM RETENTION RAMP)	60
ALUMINUM RETENTION RAMP	64

PLATFORM AND FLIPOVER ASSEMBLY	66
FLIPOVER ASSEMBLY (WITH SINGLE CART STOPS)	68
FLIPOVER ASSEMBLY (WITH DUAL CART STOPS)	70
HYDRAULIC COMPONENTS	72
12 VDC POWER UNIT	74
ELECTRICAL COMPONENTS.....	76
ATTACH DECALS	78
SYSTEM DIAGRAMS	80
PUMP & MOTOR SOLENOID OPERATION	80
HYDRAULIC SCHEMATIC.....	81
ELECTRICAL SCHEMATIC.....	82

Comply with the following **WARNINGS** and **SAFETY INSTRUCTIONS** while maintaining Liftgates. See Operation Manual for operating safety requirements.

WARNING

- Do not stand, or allow obstructions, under the platform when lowering the Liftgate. **Be sure your feet are clear of the Liftgate.**
- **Keep fingers, hands, arms, legs, and feet clear of moving Liftgate parts (and platform edges) when operating the Liftgate.**
- **Correctly stow platform when not in use. Extended platforms could create a hazard for people and vehicles passing by.**
- **Disconnect Liftgate power cable from battery** before repairing or servicing Liftgate.
- If it is necessary to stand on the platform while maintaining the Liftgate, keep your feet and any objects clear of the inboard edge of the platform. Your feet or objects on the platform can become trapped between the platform and the Liftgate housing cover.
- Recommended practices for welding on steel parts are contained in the current **AWS (American Welding Society) D1.1 Structural Welding Code - Steel**. Damage to Liftgate and/or vehicle, and personal injury could result from welds that are done incorrectly.
- Recommended practices for welding on aluminum parts are contained in the current **AWS (American Welding Society) D2.1 Structural Welding Code - Aluminum**. Damage to Liftgate and/or vehicle, and personal injury could result from welds that are done incorrectly.

SAFETY INSTRUCTIONS

- Read and understand the instructions in this **Maintenance Manual** before performing maintenance on the Liftgate.
- Before operating the Liftgate, read and understand the operating instructions in **Operation Manual**.
- Comply with all **WARNING** and instruction decals attached to the Liftgate.
- Keep decals clean and legible. If decals are illegible or missing, replace them. Free replacement decals are available from **Maxon Customer Service**.
- Consider the safety and location of bystanders and location of nearby objects when operating the Liftgate. Stand to one side of the platform while operating the Liftgate
- Do not allow untrained persons to operate the Liftgate.
- Wear appropriate safety equipment such as protective eyeglasses, faceshield and clothing while performing maintenance on the Liftgate and handling the battery. Debris from drilling and contact with battery acid may injure unprotected eyes and skin.
- Be careful working by an automotive type battery. Make sure the work area is well ventilated and there are no flames or sparks near the battery. Never lay objects on the battery that can short the terminals together. If battery acid gets in your eyes, immediately seek first aid. If acid gets on your skin, immediately wash it off with soap and water.

MAXON[®]

11921 Slauson Ave. Santa Fe Springs, CA. 90670 (800) 227-4116 FAX (888) 771-7713

- If an emergency situation arises (vehicle or Liftgate) while operating the Liftgate, release the control switch to stop the Liftgate.
- A correctly installed Liftgate operates smoothly and reasonably quiet. The only noticeable noise during operation comes from the power unit while the platform is raised. Listen for scraping, grating and binding noises and correct the problem before continuing to operate Liftgate.
- Use only **Maxon Authorized Parts** for replacement parts. Provide Liftgate model and serial number information with your parts order. Order replacement parts from:

MAXON LIFT CORP. Customer Service
11921 Slauson Ave., Santa Fe Springs, CA 90670

Online: www.maxonlift.com

Express Parts Ordering: Phone (800) 227-4116 ext. 4345

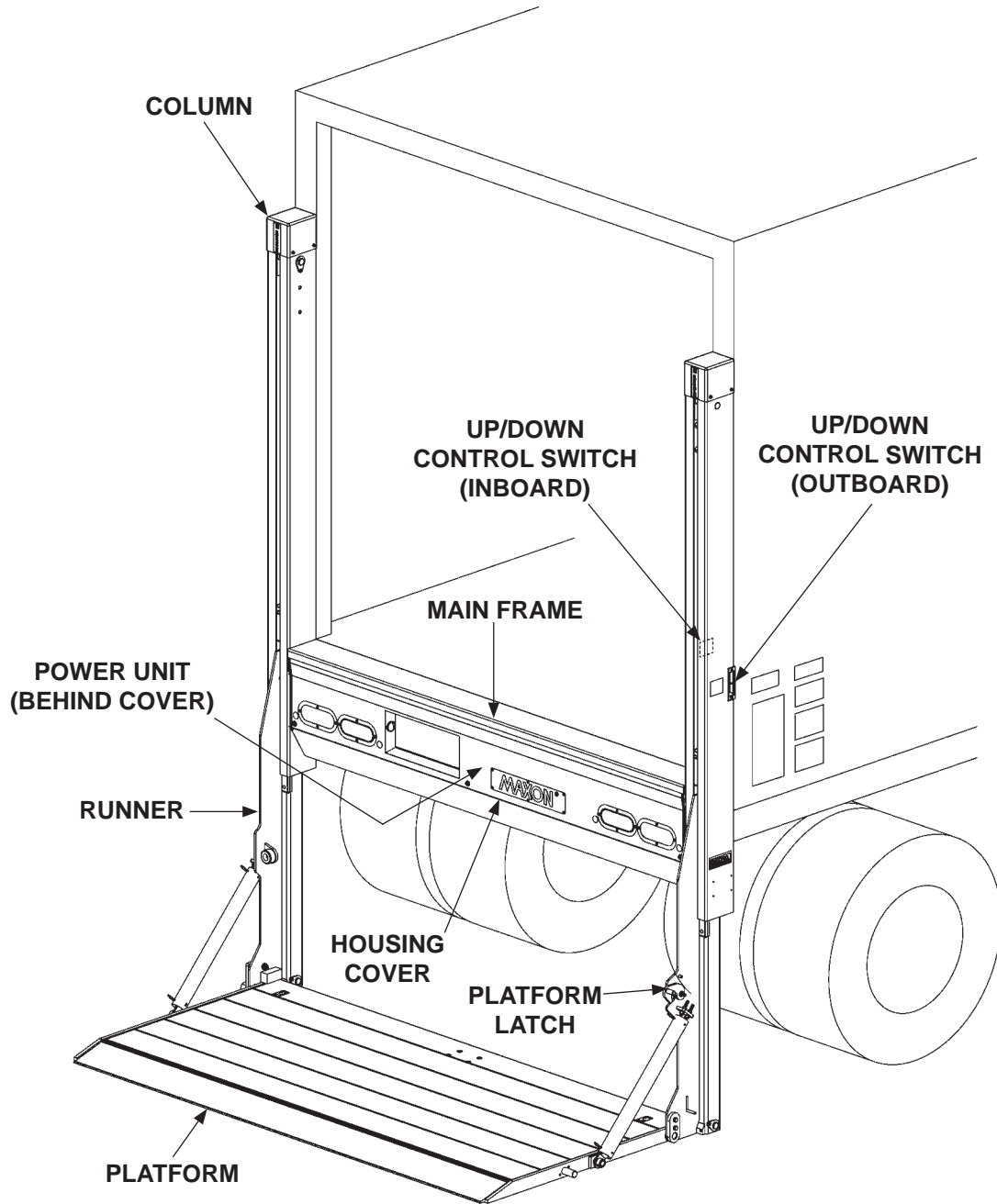
Email: Ask your Customer Service representative

THIS PAGE INTENTIONALLY LEFT BLANK

MAXON[®]

11921 Slauson Ave. Santa Fe Springs, CA. 90670 (800) 227-4116 FAX (888) 771-7713

LIFTGATE TERMINOLOGY



PERIODIC MAINTENANCE

PREVENTATIVE MAINTENANCE (PM) CHECKLIST

PM Interval: 3 Months

Date: ___ / ___ / ___

Equipment: _____

W/O # _____

Location: _____

Mechanic: _____

Serial # _____

Model # _____

Check Appropriate Box. “ ”

MAXON 1 st , 2 nd and 3 rd Quarter Liftgate Preventative Maintenance (PM) Procedures				
Satisfactory	Repair Required	Corrected	1	Verify if the Quarterly or Annual PM is due by checking the PM sticker on the curbside Liftgate column.
Satisfactory	Repair Required	Corrected	2	Check for oil leaks at: cylinders, valves, and fittings.
Satisfactory	Repair Required	Corrected	3	Check for damage: platform, column, runners and hydraulic tubes.
Satisfactory	Repair Required	Corrected	4	Check for loose or missing nuts, bolts, covers, roll pins, screws and pins.
Satisfactory	Repair Required	Corrected	5	Check for cracked welds at: columns, runners, platform, main housing and vehicle door frame.
Satisfactory	Repair Required	Corrected	6	Check platform lowering speed: Range is 16 - 30 seconds. Check cylinder lock valves for proper operation.
Satisfactory	Repair Required	Corrected	7	Check platform pins and couplers.
Satisfactory	Repair Required	Corrected	8	Check platform raising speed: Range is 12-13 seconds.
Satisfactory	Repair Required	Corrected	9	Check that platform unlatches, unfolds & folds smoothly & latches securely.
Satisfactory	Repair Required	Corrected	10	Check switches and wiring connections on Liftgate as well as pump inside main housing. Also check ground straps.
Satisfactory	Repair Required	Corrected	11	Check the gear pump for unusual noise, i.e. squealing or extreme RPM output.
Satisfactory	Repair Required	Corrected	12	Checking Oil Level: gravity down with the platform unfolded and on the ground. Oil level should be as shown in Installation Manual, "CHECKING HYDRAULIC FLUID". Check for contamination, change if needed.
Satisfactory	Repair Required	Corrected	13	Check batteries: load test, corrosion, cables, hold downs and water level.
Satisfactory	Repair Required	Corrected	14	Check all charging and ground cable connections.
Satisfactory	Repair Required	Corrected	15	Complete a new PM sticker and install it on the curbside column of the Liftgate. The next PM date is 3 months from the completed PM date. Indicate on the PM sticker if 1 st , 2 nd , 3 rd or 4 th PM.

MAXON 4 th Quarter Liftgate Preventative Maintenance (PM). Note: Includes steps 1-15				
Satisfactory	Repair Required	Corrected	16	Change hydraulic fluid.
Satisfactory	Repair Required	Corrected	17	Inspect wear on slide pads.

For more detailed information, please refer to the product maintenance manuals. Use only genuine Maxon replacement parts for all repairs.

TABLE 10-1

MAXON[®]

11921 Slauson Ave. Santa Fe Springs, CA. 90670 (800) 227-4116 FAX (888) 771-7713

PERIODIC MAINTENANCE CHECKS

WARNING

Never operate the Liftgate with parts loose or missing.

NOTE: Photocopy the PM CHECKLIST on the preceding page to help keep track of periodic maintenance on the Liftgate. Keep completed form with maintenance records.

Annually

Visually check the entire Liftgate for excessively worn parts and broken welds, especially the hinge pins. See **Parts Manual** for replacement parts. Also, do the **Semi-annual** and **Quarterly Maintenance** checks.

Semi-annually

Visually check the platform hinge pins for excessive wear and broken welds. See **Parts Manual** for replacement parts. Also, do the **Quarterly Maintenance** checks.

Quarterly

Check the hydraulic fluid level in the pump reservoir. Refer to the **CHECKING HYDRAULIC FLUID** procedure in the **PERIODIC MAINTENANCE** section.

- If hydraulic fluid appears contaminated, refer to the **CHANGING HYDRAULIC FLUID** procedure on following page.
- Keep track of the grade of hydraulic fluid in the pump reservoir. Never mix two different grades of fluid.
- Check lines and fittings for chaffing and fluid leaks. Replace if necessary.
- Check electrical wiring for chaffing and make sure wiring connections are tight and free of corrosion. **MAXON** recommends using dielectric grease on all electrical connections.
- Check that all **WARNING** and **instruction decals** are in place and legible.
- Check for loose or missing nuts, bolts, covers, roll pins, screws and pins.

CAUTION

Damaged cylinder seals and contaminated hydraulic fluid can result from painting the polished portion of the cylinder rod. To prevent damage, protect the exposed polished portion of the cylinder rod while painting.

- Check for rust and oily surfaces on Liftgate. If there is rust or oil on the Liftgate, clean it off. Touch up the paint where bare metal is showing.

PERIODIC MAINTENANCE

CHECKING HYDRAULIC FLUID

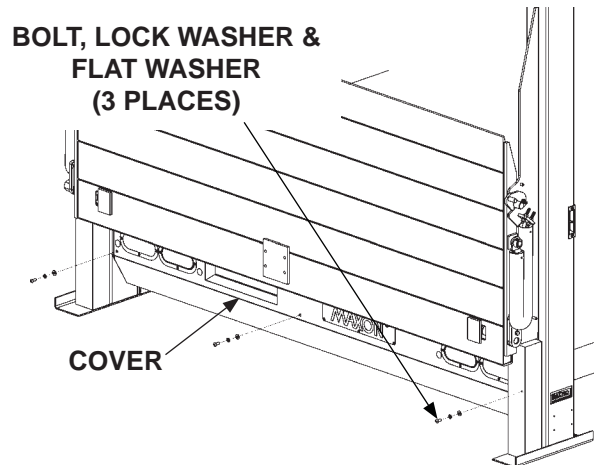
CAUTION

Keep dirt, water and other contaminants from entering the hydraulic system. Before opening the hydraulic fluid reservoir filler cap, drain plug and hydraulic lines, clean up contaminants that can get in the openings. Also, protect the openings from accidental contamination. Never mix synthetic fluids with conventional hydraulic fluids. Hydraulic system must be purged if the fluids are mixed.

NOTE: Liftgate is shipped with **Exxon Univas HVI-13** hydraulic fluid in the hydraulic cylinders. **Exxon Univas HVI-13** hydraulic fluid is recommended for operating temperatures of **-40 to +120° F**. Refer to decal in pump box. Under certain conditions, other brands and grades of oil may be used as substitutes for the recommended oil. Refer to **TABLES 13-1 & 13-2**.

NOTE: If the hydraulic fluid in the reservoir is contaminated, do the **CHANGING HYDRAULIC FLUID** procedure in this section.

1. Unbolt main housing cover as shown in **FIG. 12-1**. Remove cover.
2. Check the hydraulic fluid level in reservoir as follows. With Liftgate stowed, level should be as shown in **FIG. 12-2**.
3. If needed, add fluid to the reservoir as follows. Remove filler cap (**FIG. 12-2**). Fill the reservoir with hydraulic fluid to level shown in **FIG. 12-2**. Reinstall filler cap.

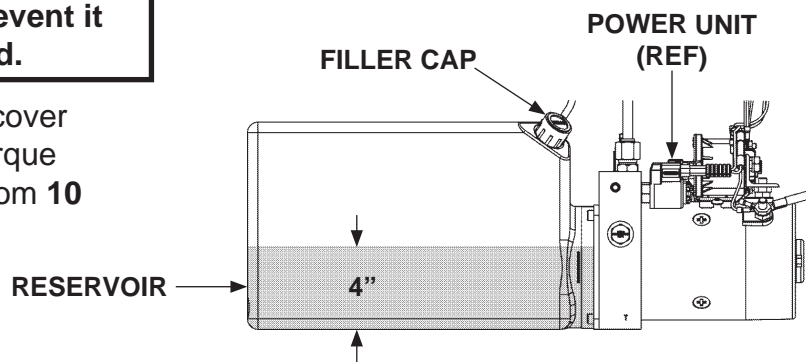


UNBOLTING/ BOLTING COVER
FIG. 12-1

CAUTION

Main housing cover must be correctly secured to prevent it from becoming a hazard.

4. Bolt on the main housing cover as shown in **FIG. 12-1**. Torque the 5/16"-18 cover bolts from **10 to 14 lb-ft**.



POWER UNIT FLUID LEVEL
FIG. 12-2

ISO-15 OR MIL-H-5606 TYPE HYDRAULIC OIL		
BRAND	PART NUMBER	REMARKS
EXXON	UNIVIS HVI-13	RECOMMENDED
AMSOIL	AWF-05	SUBSTITUTE
CHEVRON	FLUID A, AW-MV-15	SUBSTITUTE
KENDALL	GLACIAL BLU	SUBSTITUTE
SHELL	TELLUS S2 V15	SUBSTITUTE
MOBIL	DTE-11M	SUBSTITUTE
ROSEMEAD	THS FLUID 17111	SUBSTITUTE

**ISO-15 SUBSTITUE OILS WHEN RECOMMENDED
OIL IS UNAVAILABLE
TABLE 13-1**

ISO-32 HYDRAULIC OIL		
BRAND	PART NUMBER	REMARKS
AMSOIL	AWH-05	SUBSTITUTE
CHEVRON	HIPERSYN 32	SUBSTITUTE
KENDALL	GOLDEN MV	SUBSTITUTE
SHELL	TELLUS S2 V32	SUBSTITUTE
MOBIL	DTE-13M, DTE-24, HYDRAULIC OIL-13	SUBSTITUTE
EXXON	UNIVIS N-32	SUBSTITUTE

**ISO-32 SUBSTITUE OILS WHEN SEASONAL
TEMPERATURES ARE NEAR +100°F OR HIGHER
TABLE 13-2**

PERIODIC MAINTENANCE

CHANGING HYDRAULIC FLUID

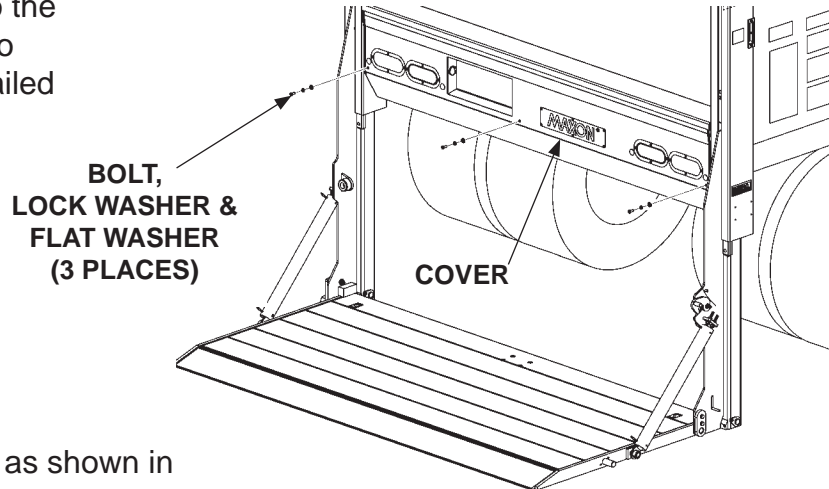
CAUTION

Keep dirt, water and other contaminants from entering the hydraulic system. Before opening the hydraulic fluid reservoir filler cap, drain plug and hydraulic lines, clean up contaminants that can get in the openings. Also, protect the openings from accidental contamination.

Never mix synthetic fluids with conventional hydraulic fluids. Hydraulic system must be purged if the fluids are mixed.

NOTE: Liftgate is shipped with **Exxon Univas HVI-13** hydraulic fluid in the hydraulic cylinders. **Exxon Univas HVI-13** hydraulic fluid is recommended for operating temperatures of **-40 to +120° F**. Refer to decal in pump box. Under certain conditions, other brands and grades of oil may be used as substitutes for the recommended oil. Refer to **TABLES 13-1 & 13-2**.

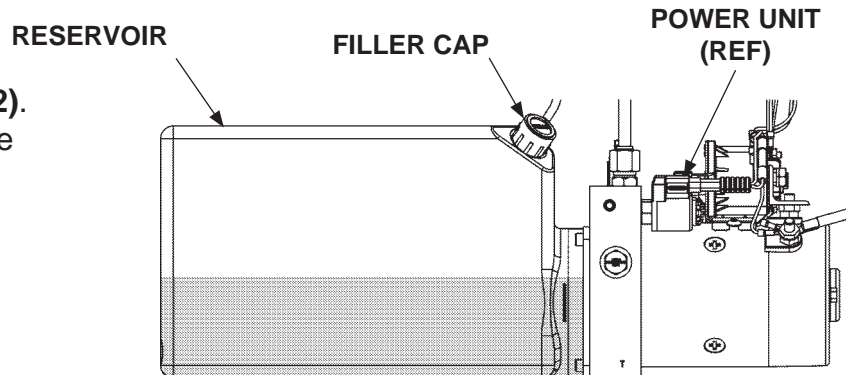
1. Open and lower platform to the ground (**FIG. 14-1**). Refer to **Operation Manual** for detailed operating instructions.



**UNBOLTING COVER
(PLATFORM ON THE GROUND)
FIG. 14-1**

2. Unbolt main housing cover as shown in **FIG. 14-1**. Remove cover.

3. Remove filler cap (**FIG. 14-2**). Use a suction gun to remove hydraulic fluid.

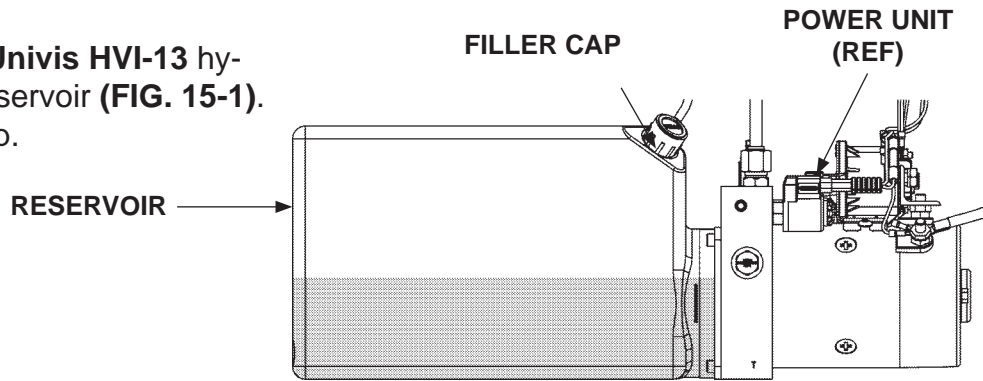


**POWER UNIT
FIG. 14-2**

MAXON[®]

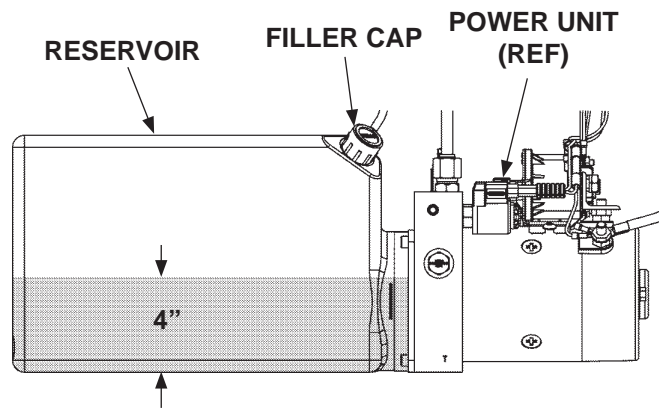
11921 Slauson Ave. Santa Fe Springs, CA. 90670 (800) 227-4116 FAX (888) 771-7713

4. Add 2 quarts of **Univis HVI-13** hydraulic fluid to reservoir (**FIG. 15-1**). Reinstall filler cap.



POWER UNIT
FIG. 15-1

5. Raise platform to bed level and stow platform. Fluid level should be as shown in **FIG. 15-2**. If needed, add more fluid as follows. Remove filler cap (**FIG. 15-2**). Fill reservoir with **Univis HVI-13** hydraulic fluid to level shown in **FIG. 15-2**. Reinstall filler cap.

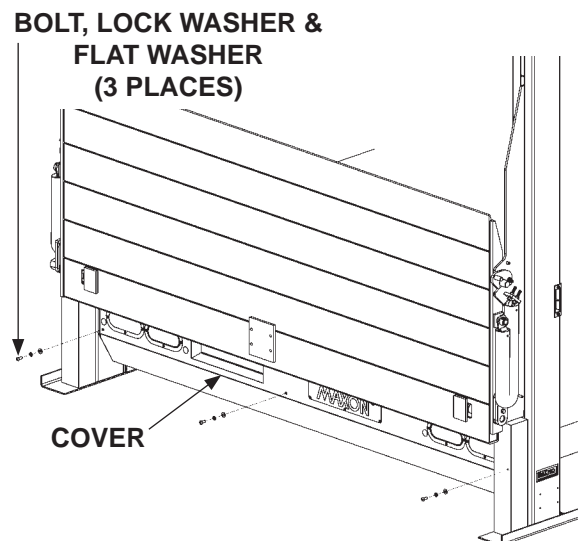


POWER UNIT FLUID LEVEL
FIG. 15-2

CAUTION

Main housing cover must be correctly secured to prevent it from becoming a hazard.

6. Bolt on the main housing cover as shown in **FIG. 15-3**. Torque the 5/16"-18 cover bolts from **10 to 14 lb-ft.**



BOLTING COVER (PLATFORM STOWED)
FIG. 15-3

PERIODIC MAINTENANCE

PRESSURIZING HYDRAULIC SYSTEM

⚠ CAUTION

Operating Liftgate, under certain conditions, with air in system could result in damage to lift and load as well as personal injury. If lines are opened & closed or replaced, and if power unit or cylinders are replaced, pressurize hydraulic system before operating Liftgate with a passenger or load.

NOTE: When pump pressurizes fluid in hydraulic system, air bleeds into reservoir through return line.

Hold the **UP/DOWN** control switch in the **UP** position for 1-2 seconds to pressurize hydraulic system and bleed air from system.

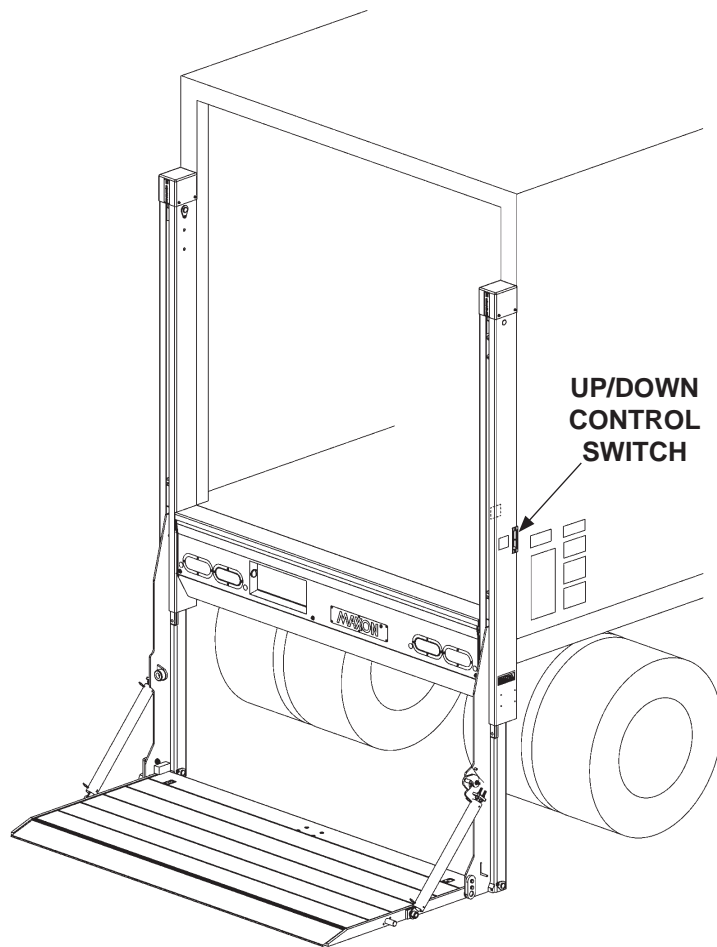


FIG. 16-1

MAXON[®]

11921 Slauson Ave. Santa Fe Springs, CA. 90670 (800) 227-4116 FAX (888) 771-7713

TORSION BAR REPLACEMENT & ADJUSTMENT

! WARNING

Ensure platform is latched securely in stowed position to release most tension from torsion bar(s) and keep platform from suddenly unfolding. Injury could result from unbolting the torsion bar under tension. When all tension is released from torsion bar(s), platform can unfold suddenly. Any person in the path of opening platform could be injured.

1. Stow platform (**FIG. 17-1**). Ensure platform is latched securely. Refer to **Operation Manual** for detailed operating instructions.
2. Support bottom of platform and flipover evenly on RH and LH sides (**FIG. 17-1**).

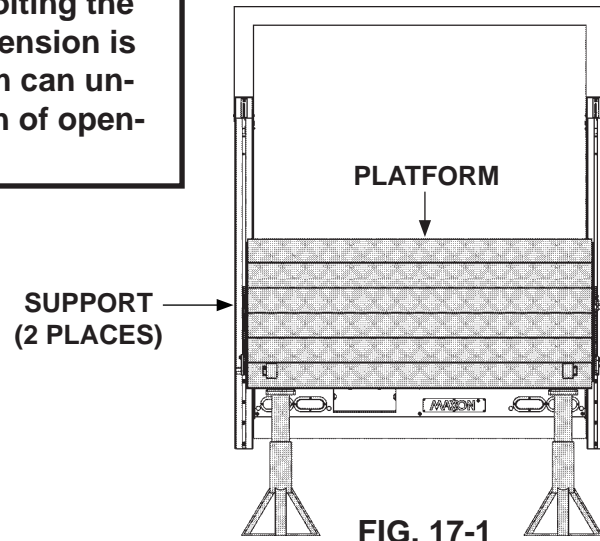


FIG. 17-1

3. On LH runner, place a 1-7/16" wrench on the torsion bracket nut. Remove the shoulder screw, washers and nut from the torsion bracket. Then, allow bracket to rotate counterclockwise until all tension is removed from torsion bar.

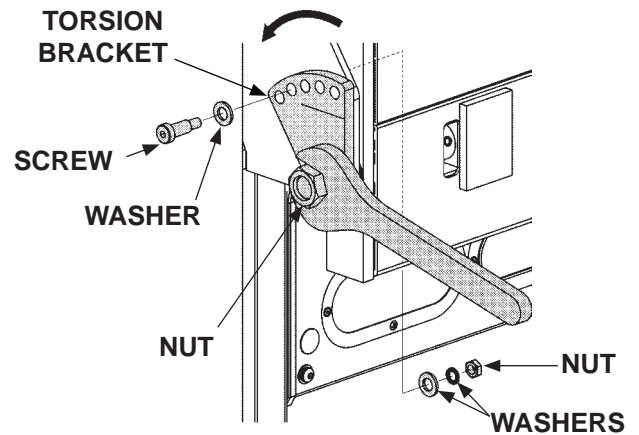


FIG. 17-2

4. Drive roll pin from pin collar and torsion bar pin (**FIG. 17-3**). Then, remove torsion bar pin, spacer, pin collar, and torsion bar.

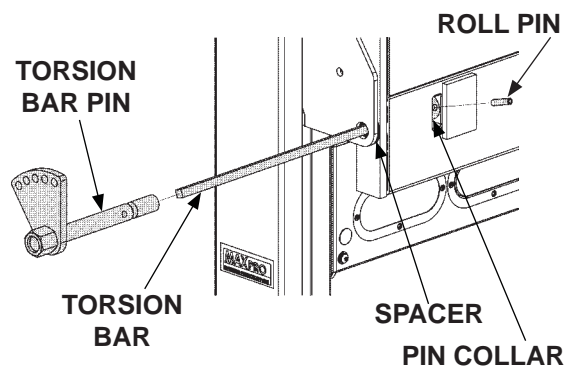


FIG. 17-3

PERIODIC MAINTENANCE

TORSION BAR REPLACEMENT & ADJUSTMENT - Continued

MAXON[®]

11921 Slauson Ave. Santa Fe Springs, CA. 90670 (800) 227-4116 FAX (888) 771-7713

5. Insert torsion bar pin through LH runner, platform, spacer, and pin collar (**FIG. 18-1**). Then, rotate torsion bar to position shown (**FIG. 18-1**) and depending on platform, engage with torsion bar pin on RH side of platform (**FIG. 18-2**), or engage with torsion bar housing as shown in **FIG. 18-3**.

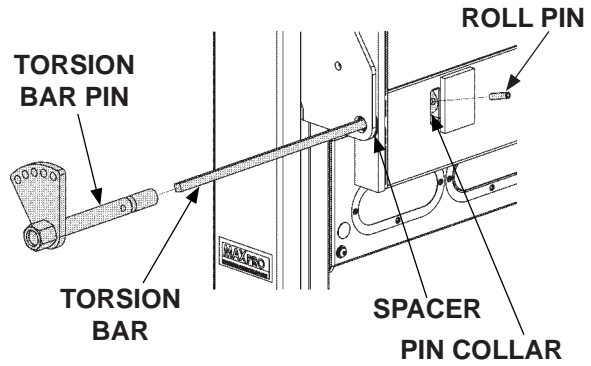


FIG. 18-1

6. Line up holes in pin collar and torsion bar pin (**FIG. 18-1**). Secure collar to torsion bar pin with roll pin.

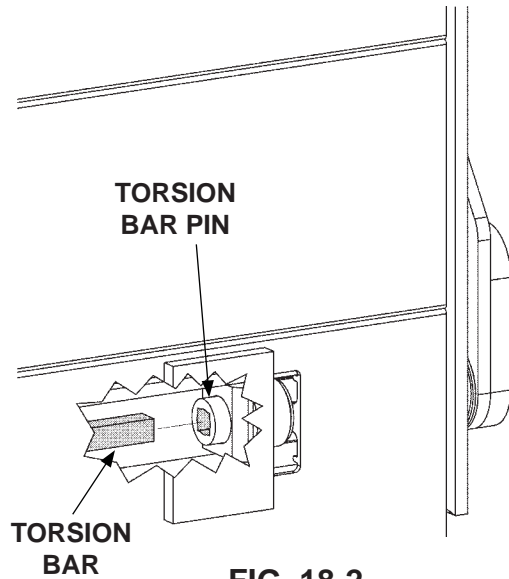


FIG. 18-2

7. Ensure platform is latched securely. Then, remove platform supports.

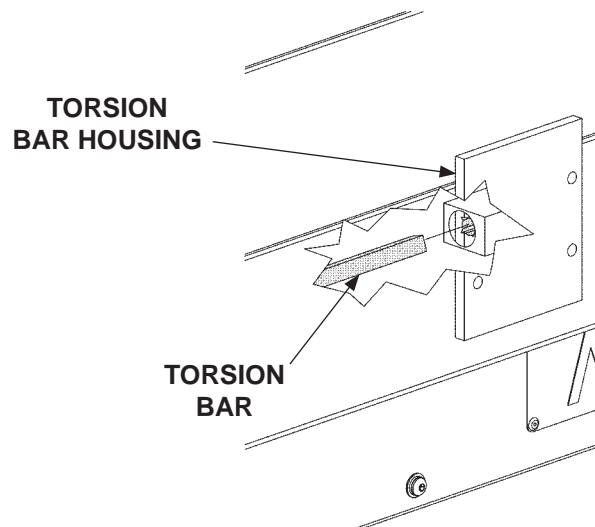


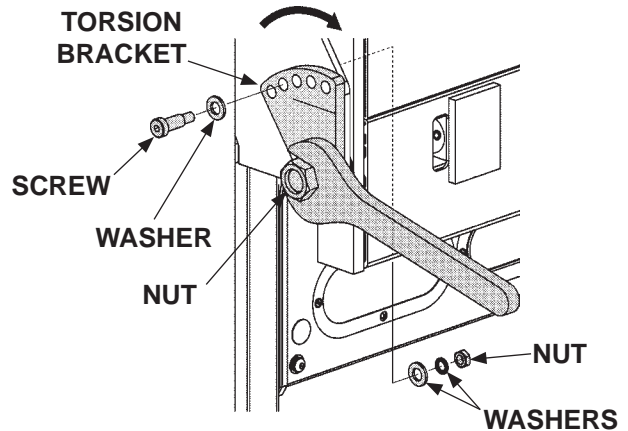
FIG. 18-3

WARNING

Platform can unfold suddenly with no tension on torsion bar. Stay out of the path of unfolding platform when adjusting the torsion bar. Get second person to help unlatch platform.

8. On LH runner, place a 1-7/16" wrench on the torsion bracket nut. Move bracket forward until tension is applied to torsion bar. **(FIG. 19-1)** Install the torsion bracket shoulder screw, washers and nut.
9. Unlatch platform **(FIG. 19-2)**. Platform should just escape the latch as shown in **FIG. 19-2, position 1**.
10. Unfold platform until pin is 2"-3" from latch **(FIG. 19-2, position 2)**. Release hold on platform to observe if platform starts to fold, stays partially unfolded, or starts falling open with no restraint. Platform should require a little more pull to unfold and should unfold slowly when released **(FIG. 19-2, position 3)**. To increase the amount of pull for unfolding platform, place a 1-7/16" wrench on the torsion bracket nut. Remove the shoulder screw, washers and nut from the torsion bracket and move bracket forward until tension is applied to torsion bar **(FIG. 19-1)**. To decrease amount of pull, remove the shoulder screw, washers and nut from the torsion bracket and move bracket towards rear until tension is removed from torsion bar **(FIG. 19-3)**. To keep the platform from falling open, move bracket towards front **(FIG. 19-1)** until platform just starts to fold from position 2 as shown in **FIG. 19-2**. Reinstall shoulder screw, washers and nut.

11. Platform can be stowed or returned to operation after adjustment is done correctly.



INCREASE PULL
FIG. 19-1

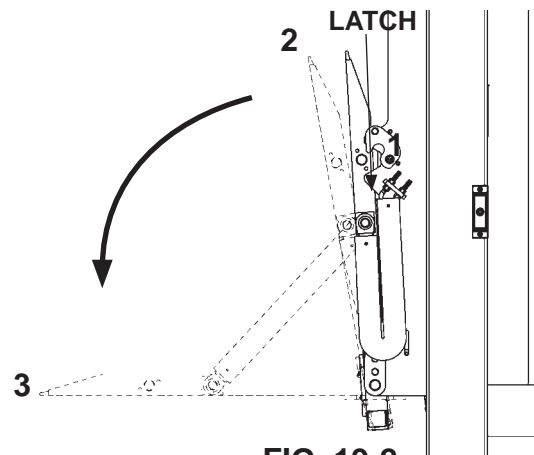
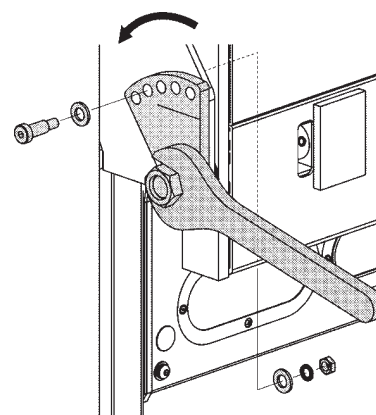


FIG. 19-2



DECREASE PULL
FIG. 19-3

PERIODIC MAINTENANCE

TORSION BAR REPLACEMENT & ADJUSTMENT - Continued

RH TORSION BAR REPLACEMENT

MAXON[®]

11921 Slauson Ave. Santa Fe Springs, CA. 90670 (800) 227-4116 FAX (888) 771-7713

1. Lower platform. Refer to **Operation Manual** for detailed operating instructions.
2. Support bottom of platform and flipover evenly on RH and LH sides (**FIG. 20-1**).

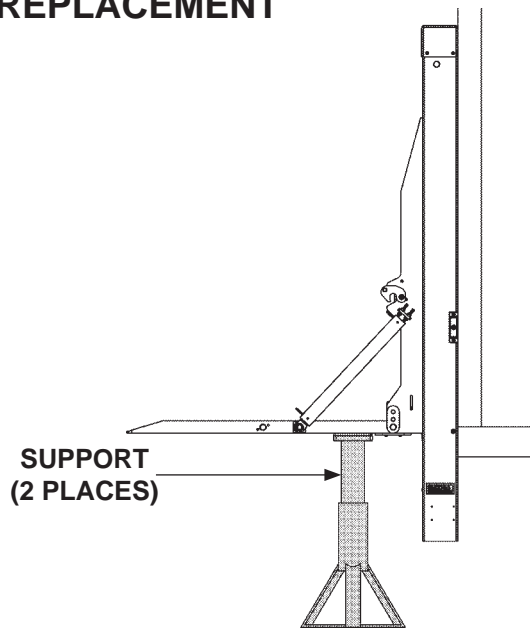


FIG. 20-1

3. On RH runner, remove the cap screws, lock washers, and platform and runner pin from the torsion bar (**FIG. 20-2**).

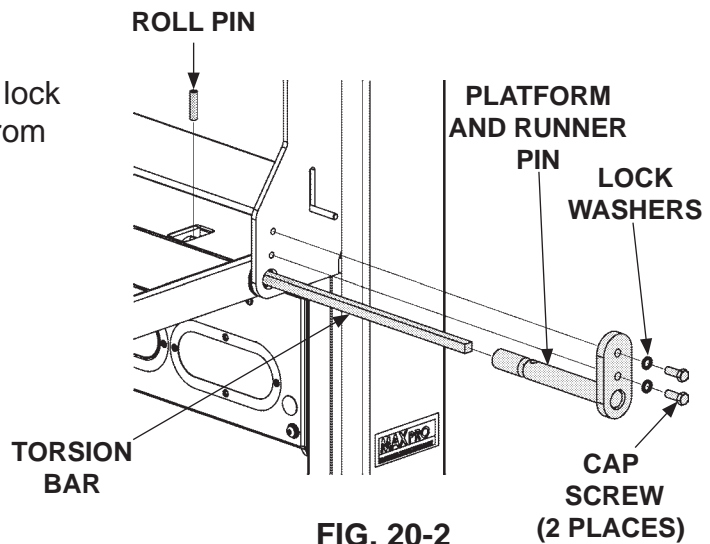


FIG. 20-2

4. Remove torsion bar from torsion bar housing (**FIG. 20-3**).
5. To reinstall torsion bar, insert torsion bar through hole in RH runner (**FIG. 20-2**) and engage with torsion bar housing (**FIG. 20-3**). Reinstall platform and runner pin, cap screws and lock washers (**FIG. 20-2**).

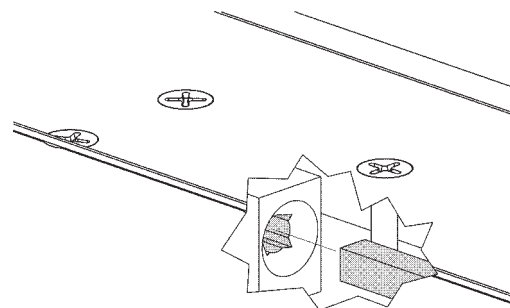


FIG. 20-3

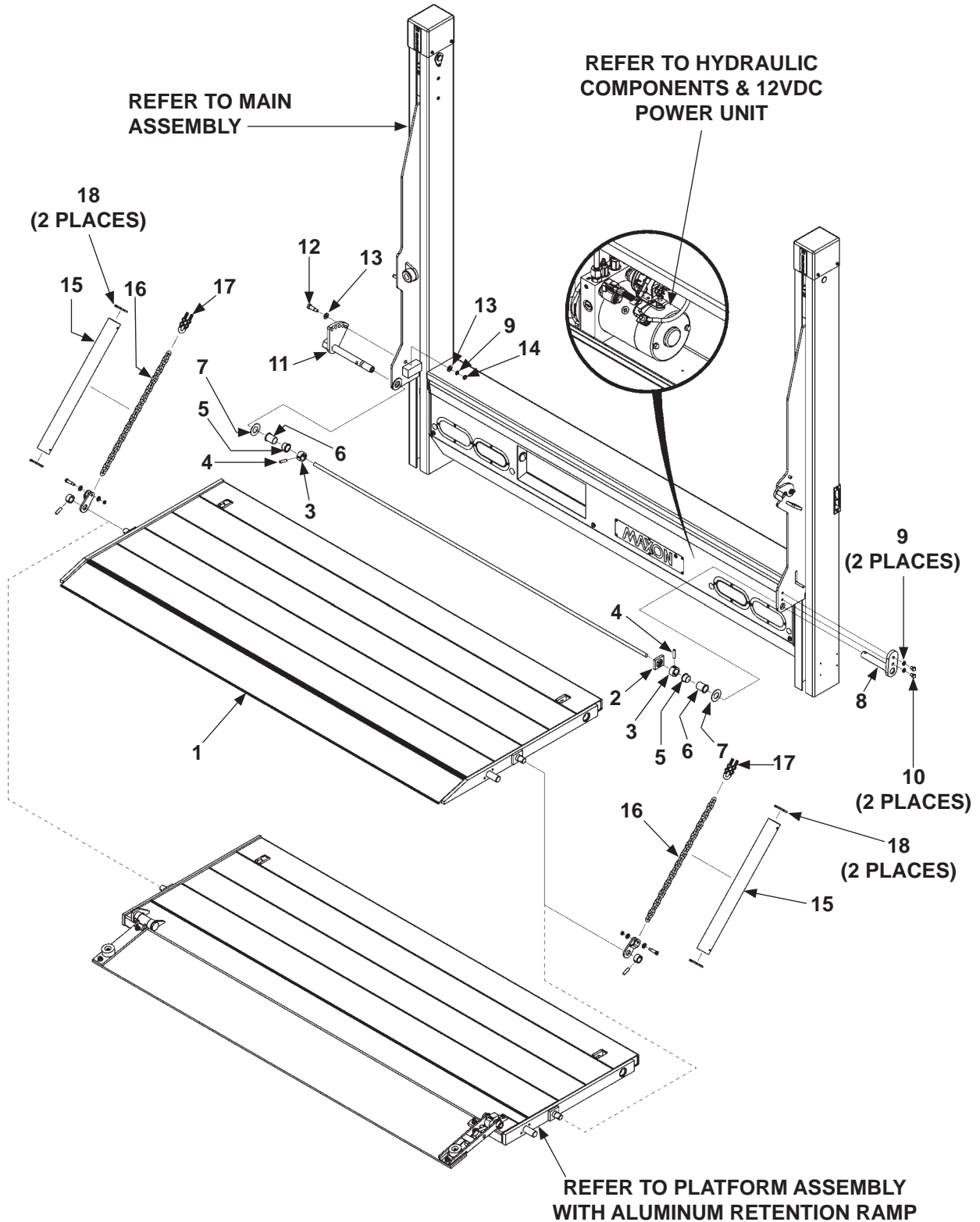
THIS PAGE INTENTIONALLY LEFT BLANK

PARTS BREAKDOWN

FINAL ASSEMBLY (1-PIECE PLATFORM & 1-PIECE PLATFORM WITH ALUMINUM RETENTION RAMP)

MAXON®

11921 Slauson Ave. Santa Fe Springs, CA. 90670 (800) 227-4116 FAX (888) 771-7713



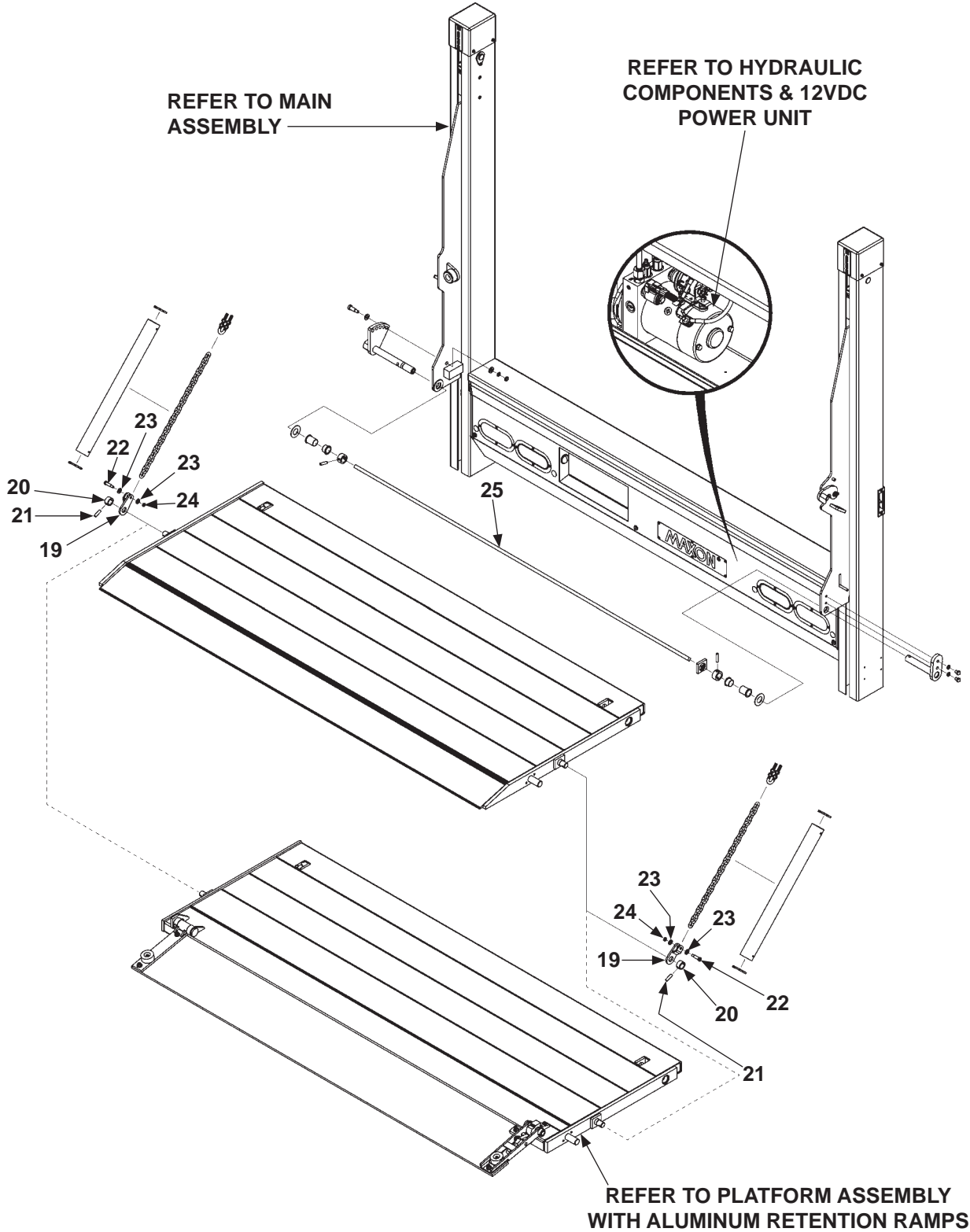
ITEM	QTY.	PART NO.	DESCRIPTION
1	1	285290-01	ALUMINUM PLATFORM WELDMENT 36" X 83-7/8"
		285290-02	ALUMINUM PLATFORM WELDMENT 42" X 83-7/8"
		285290-03	ALUMINUM PLATFORM WELDMENT 48" X 83-7/8"
		285290-04	ALUMINUM PLATFORM WELDMENT 54" X 83-7/8"
		285290-05	ALUMINUM PLATFORM WELDMENT 36" X 89-7/8"
		285290-06	ALUMINUM PLATFORM WELDMENT 42" X 89-7/8"
		285290-07	ALUMINUM PLATFORM WELDMENT 48" X 89-7/8"
		285290-08	ALUMINUM PLATFORM WELDMENT 54" X 89-7/8"
		285290-09	ALUMINUM PLATFORM WELDMENT 36" X 95-7/8"
		285290-10	ALUMINUM PLATFORM WELDMENT 42" X 95-7/8"
		285290-11	ALUMINUM PLATFORM WELDMENT 48" X 95-7/8"
		285290-12	ALUMINUM PLATFORM WELDMENT 54" X 95-7/8"
2	1	285252-01	ANCHOR STOP WELDMENT, RH
3	2	253630	PIN COLLAR
4	2	904723-04	ROLL PIN, 3/8" X 1-1/2" LG.
5	2	261837-02	PLASTIC FLANGE BUSHING, 1" I.D. X 3/4"
6	2	261837-08	PLASTIC FLANGE BUSHING 1" I.D. X 1-1/2"
7	2	905146-03	FIBERGLIDE THRUST BEARING, 1" I.D.
8	1	284070-03	PIN, PLATFORM AND RUNNER, RH, 6 - 3/16" LG.
		284070-04	PIN, PLATFORM AND RUNNER, RH, 9 - 3/16" LG.
9	3	903448-02	LOCK WASHER, 3/8"
10	2	900764-06	HEX CAP SCREW, 3/8" - 16 X 1"
11	1	285768-01	TORSION BAR PIN WELDMENT, 1"DIA.
12	1	900048-5	SHOULDER SCREW SCREW, 1/2"X 3/8" - 16 X 1" LG.
13	2	903434-11	FLAT WASHER, M12
14	1	903107-02	HEX NUT, 3/8"-16
15	2	261609-07	PROTECTIVE CHAIN SLEEVE, 23" LG.
16	2	283209-02	CHAIN (1/4") X 22" LG.
17	2	283721-01	U-BOLT, 3/8"-16 X 3-3/8" LG.
18	4	205780-08	PLASTIC TIE

PARTS BREAKDOWN

FINAL ASSEMBLY (1-PIECE PLATFORM & 1-PIECE PLATFORM WITH ALUMINUM RETENTION RAMP) - Continued

MAXON[®]

11921 Slauson Ave. Santa Fe Springs, CA. 90670 (800) 227-4116 FAX (888) 771-7713



ITEM	QTY.	PART NO.	DESCRIPTION
19	2	283535-01	CHAIN HOLDER WELDMENT
20	2	283537-01	CHAIN HOLDER BRACKET SPACER
21	2	904723-03	ROLL PIN, 3/8" I.D. X 1-1/4" LG.
22	2	900723-06	SHOULDER SCREW, 3/8" X 1" LG.
23	4	903434-10	FLAT WASHER, M10
24	2	903114-01	HEX NUT, THIN (JAM) 5/16"-18
25	1	263041-08	TORSION BAR, 72-3/4" LG. (84" X 30" P/F w/10" ARR, 84" X 36" P/F)
		263041-11	TORSION BAR, 39-3/16" LG. (90" x 36" P/F w/10" ARR, 90" X 42" P/F, 90" X 48" P/F w/10" ARR, 90" X 54" P/F)
		263041-12	TORSION BAR, 36-3/16" LG. (84" X 36" P/F w/10" ARR, 84 X 42" P/F, 84 X 42" P/F w/10" ARR, 84 X 48" P/F, 84 X 48" P/F w/10" ARR, 84" X 54" P/F, 90" X 30" P/F w/10" ARR, 90" X 36" P/F, 90" X 42" P/F w/10" ARR, 90" X 48" P/F, 96" X 30" P/F w/10" ARR, 96" X 36" P/F, 96" X 36" P/F w/10" ARR, 96" X 42" P/F, 96" X 42" P/F w/10" ARR, 96" X 48" P/F, 96" X 48" P/F w/10" ARR, 96" X 54" P/F)

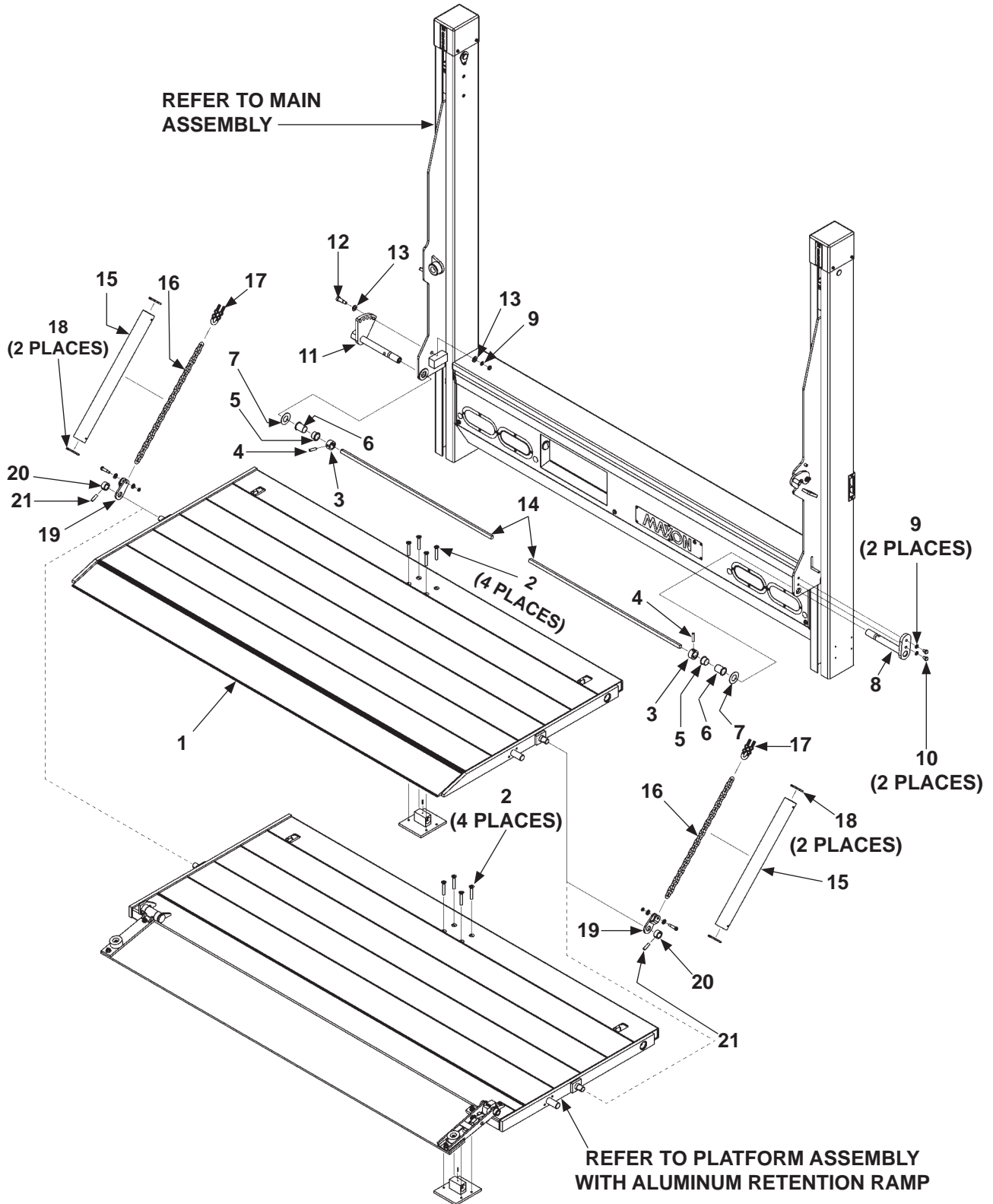
MAXON[®] 11921 Slauson Ave. Santa Fe Springs, CA. 90670 (800) 227-4116 FAX (888) 771-7713

PARTS BREAKDOWN

FINAL ASSEMBLY (1-PIECE PLATFORM & 1-PIECE PLATFORM WITH ALUMINUM RETENTION RAMP) - Continued

MAXON®

11921 Slauson Ave. Santa Fe Springs, CA. 90670 (800) 227-4116 FAX (888) 771-7713



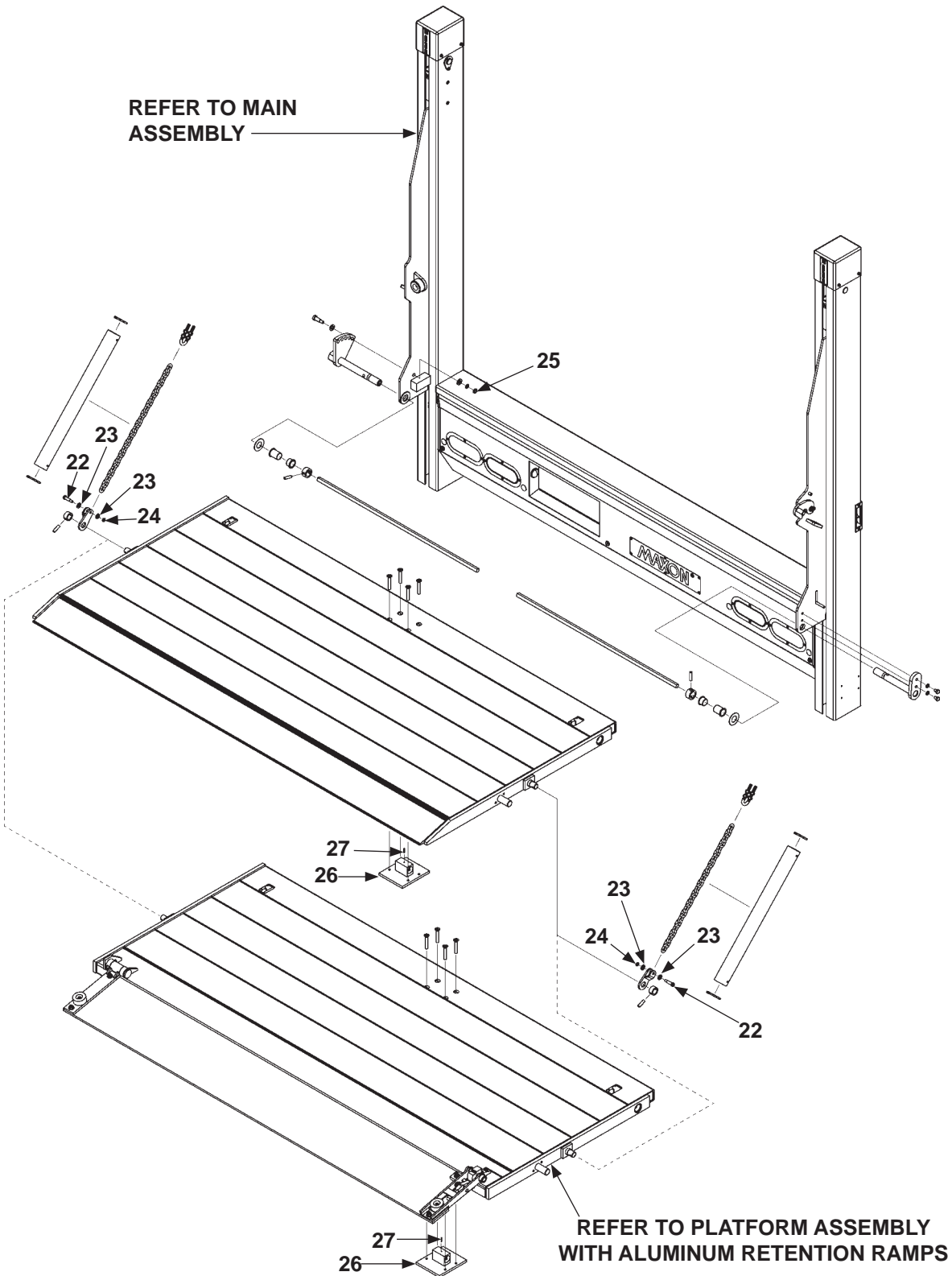
ITEM	QTY.	PART NO.	DESCRIPTION
1	1	285290-01	ALUMINUM PLATFORM WELDMENT 36" X 83-7/8"
		285290-02	ALUMINUM PLATFORM WELDMENT 42" X 83-7/8"
		285290-03	ALUMINUM PLATFORM WELDMENT 48" X 83-7/8"
		285290-04	ALUMINUM PLATFORM WELDMENT 54" X 83-7/8"
		285290-05	ALUMINUM PLATFORM WELDMENT 36" X 89-7/8"
		285290-06	ALUMINUM PLATFORM WELDMENT 42" X 89-7/8"
		285290-07	ALUMINUM PLATFORM WELDMENT 48" X 89-7/8"
		285290-08	ALUMINUM PLATFORM WELDMENT 54" X 89-7/8"
		285290-09	ALUMINUM PLATFORM WELDMENT 36" X 95-7/8"
		285290-10	ALUMINUM PLATFORM WELDMENT 42" X 95-7/8"
		285290-11	ALUMINUM PLATFORM WELDMENT 48" X 95-7/8"
		285290-12	ALUMINUM PLATFORM WELDMENT 54" X 95-7/8"
2	4	900061-10	FLAT HEAD SOCKET SCREW, 3/8"-16, 2-1/2" LG.
3	2	253630	PIN COLLAR
4	2	904723-04	ROLL PIN, 3/8" X 1-1/2" LG.
5	2	261837-02	PLASTIC FLANGE BUSHING, 1" I.D. X 3/4"
6	2	261837-08	PLASTIC FLANGE BUSHING 1" I.D. X 1-1/2"
7	2	905146-03	FIBERGLIDE THRUST BEARING, 1" I.D.
8	1	284070-02	PIN, PLATFORM AND RUNNER, RH, 6 - 3/16" LG.
9	3	903448-02	LOCK WASHER, 3/8"
10	2	900764-06	HEX CAP SCREW, 3/8" - 16 X 1"
11	1	285768-01	TORSION BAR PIN WELDMENT, 1"DIA.
12	1	900048-5	SHOULDER SCREW SCREW, 1/2"X 3/8" - 16 X 1" LG.
13	2	903434-11	FLAT WASHER, M12
14	2	263041-12	TORSION BAR, 36-1/4" LG. (84" X 48" P/F w/10" ARR)
15	2	261609-07	PROTECTIVE CHAIN SLEEVE, 23" LG.
16	2	283209-02	CHAIN (1/4") X 22" LG.
17	2	283721-01	U-BOLT, 3/8"-16 X 3-3/8" LG.
18	4	205780-08	PLASTIC TIE
19	2	283535-01	CHAIN HOLDER WELDMENT
20	2	283537-01	CHAIN HOLDER BRACKET SPACER
21	2	904723-03	ROLL PIN, 3/8" I.D. X 1-1/4" LG.

PARTS BREAKDOWN

FINAL ASSEMBLY (1-PIECE PLATFORM & 1-PIECE PLATFORM WITH ALUMINUM RETENTION RAMP) - Continued

MAXON®

11921 Slauson Ave. Santa Fe Springs, CA. 90670 (800) 227-4116 FAX (888) 771-7713



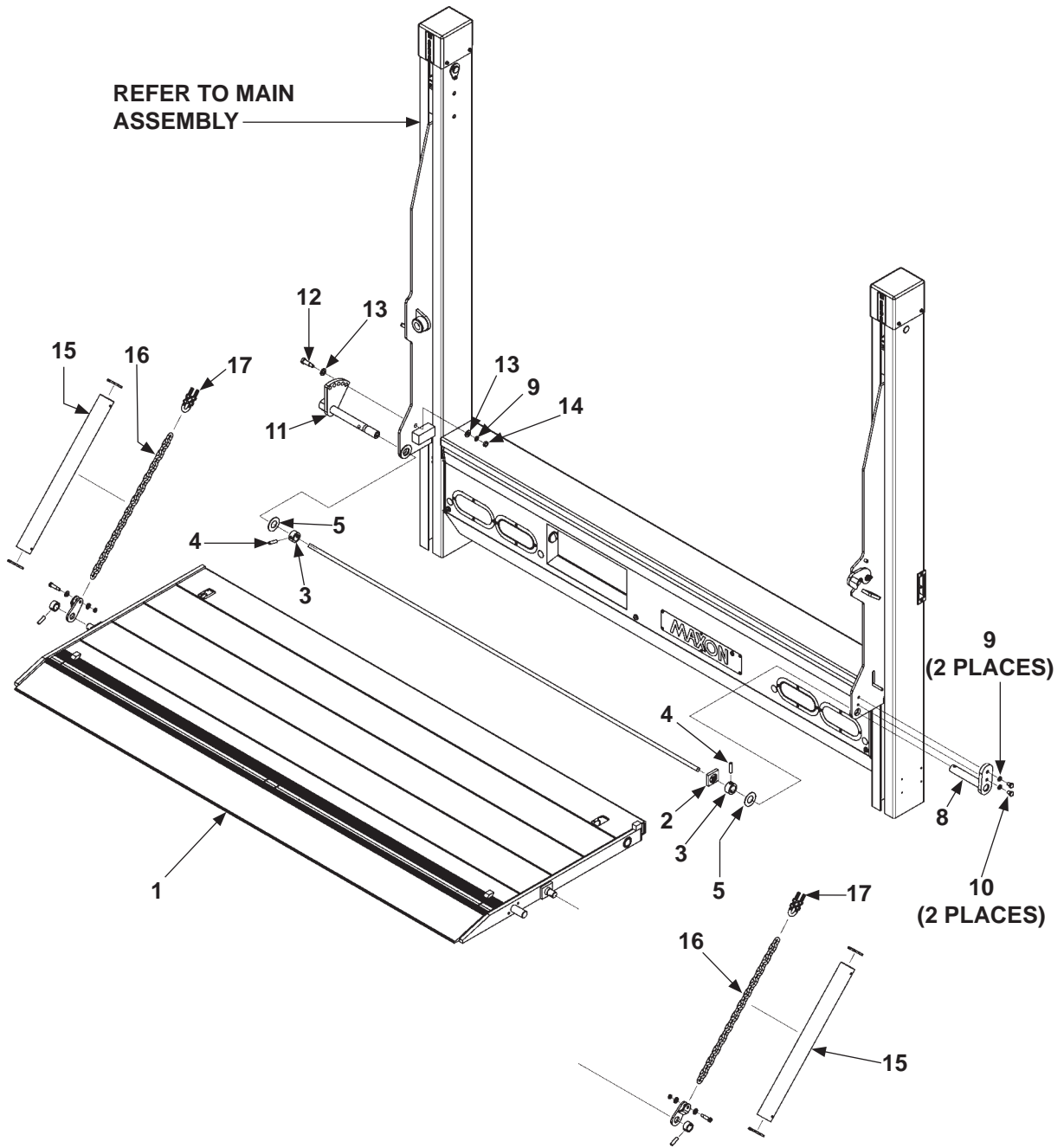
ITEM	QTY.	PART NO.	DESCRIPTION
22	2	900723-06	SHOULDER SCREW, 3/8" X 1" LG.
23	3	903434-10	FLAT WASHER, M10
24	2	903114-01	HEX NUT, THIN (JAM) 5/16"-18
25	1	903107-02	HEX NUT, 3/8"-16
26	1	285799-01	TORSION BAR HOUSING WELDMENT
27	1	904705-01	STANDARD DOWEL PIN, 1/8" I.D. X 3/4" LG.

PARTS BREAKDOWN

FINAL ASSEMBLY (1-PIECE PLATFORM WITH CART STOPS)

MAXON[®]

11921 Slauson Ave. Santa Fe Springs, CA. 90670 (800) 227-4116 FAX (888) 771-7713

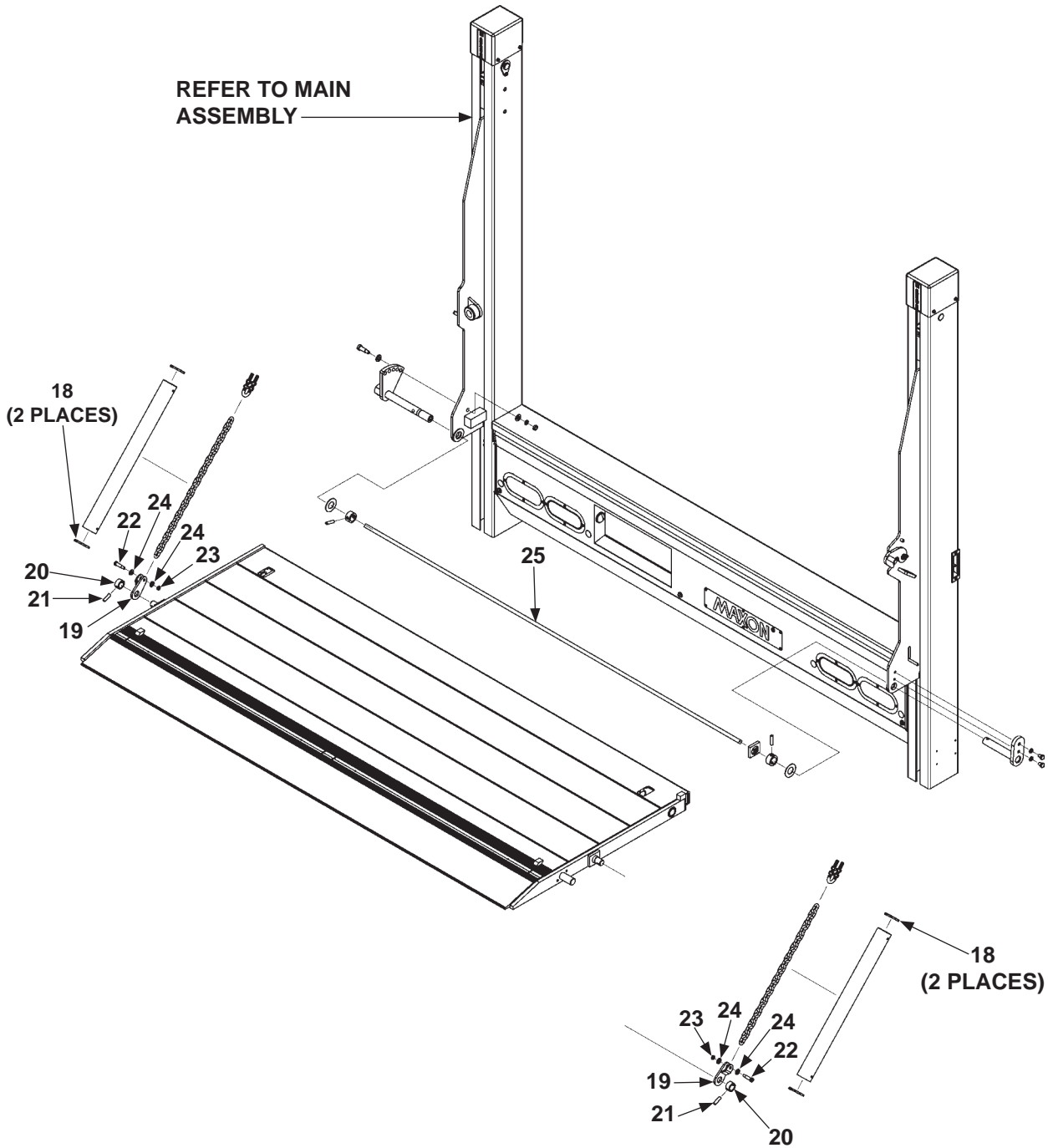


ITEM	QTY.	PART NO.	DESCRIPTION
1	1	285290-01	ALUMINUM PLATFORM WELDMENT 36" X 83-7/8"
		285290-02	ALUMINUM PLATFORM WELDMENT 42" X 83-7/8"
		285290-03	ALUMINUM PLATFORM WELDMENT 48" X 83-7/8"
		285290-04	ALUMINUM PLATFORM WELDMENT 54" X 83-7/8"
		285290-05	ALUMINUM PLATFORM WELDMENT 36" X 89-7/8"
		285290-06	ALUMINUM PLATFORM WELDMENT 42" X 89-7/8"
		285290-07	ALUMINUM PLATFORM WELDMENT 48" X 89-7/8"
		285290-08	ALUMINUM PLATFORM WELDMENT 54" X 89-7/8"
		285290-09	ALUMINUM PLATFORM WELDMENT 36" X 95-7/8"
		285290-10	ALUMINUM PLATFORM WELDMENT 42" X 95-7/8"
		285290-11	ALUMINUM PLATFORM WELDMENT 48" X 95-7/8"
		285290-12	ALUMINUM PLATFORM WELDMENT 54" X 95-7/8"
2	1	285252-01	ANCHOR STOP WELDMENT, RH
3	2	253630	PIN COLLAR
4	2	904723-04	ROLL PIN, 3/8" X 1-1/2" LG.
5	2	261837-02	PLASTIC FLANGE BUSHING, 1" I.D. X 3/4"
6	2	261837-08	PLASTIC FLANGE BUSHING 1" I.D. X 1-1/2"
7	2	905146-03	FIBERGLIDE THRUST BEARING, 1" I.D.
8	1	284070-03	PIN, PLATFORM AND RUNNER, RH, 6 - 3/16" LG.
		284070-04	PIN, PLATFORM AND RUNNER, RH, 9 - 3/16" LG.
9	3	903448-02	LOCK WASHER, 3/8"
10	2	900764-06	HEX CAP SCREW, 3/8" - 16 X 1"
11	1	285768-01	TORSION BAR PIN WELDMENT, 1"DIA.
12	1	900048-5	SHOULDER SCREW SCREW, 1/2"X 3/8" - 16 X 1" LG.
13	2	903434-11	FLAT WASHER, M12
14	1	903107-02	HEX NUT, 3/8"-16
15	2	261609-07	PROTECTIVE CHAIN SLEEVE, 23" LG.
16	2	283209-02	CHAIN (1/4") X 22" LG.
17	2	283721-01	U-BOLT, 3/8"-16 X 3-3/8" LG.

PARTS BREAKDOWN

FINAL ASSEMBLY (1-PIECE PLATFORM WITH CART STOPS)

- Continued



MAXON[®]

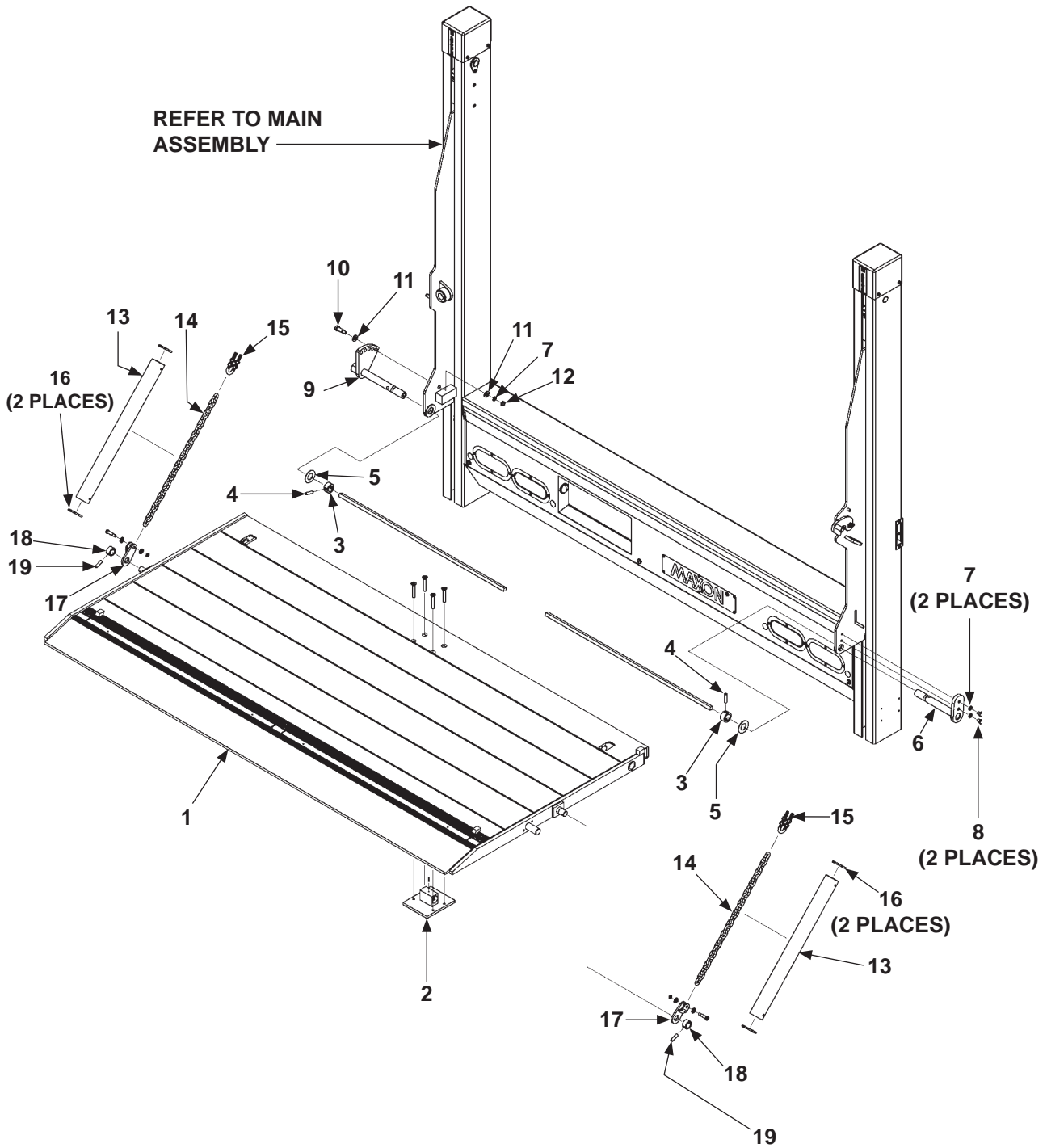
11921 Slauson Ave. Santa Fe Springs, CA. 90670 (800) 227-4116 FAX (888) 771-7713

ITEM	QTY.	PART NO.	DESCRIPTION
18	4	205780-08	PLASTIC TIE
19	2	283535-01	CHAIN HOLDER WELDMENT
20	2	283537-01	CHAIN HOLDER BRACKET SPACER
21	2	904723-03	ROLL PIN, 3/8" I.D. X 1-1/4" LG.
22	2	900723-06	SHOULDER SCREW, 3/8" X 1" LG.
23	4	903434-10	FLAT WASHER, M10
24	2	903114-01	HEX NUT, THIN (JAM) 5/16"-18
25	1	263041-08	TORSION BAR, 72-3/4" LG. (84" X 36" P/F w/DCS, 84" X 36" P/F w/SCS)
		263041-11	TORSION BAR, 39-3/16" LG. (90" X 42" P/F w/SCS, 90" X 42" P/F w/DCS, 90" X 54" P/F w/SCS, 90" X 54" P/F w/DCS)
		263041-12	TORSION BAR, 36-3/16" LG. (84 X 42" P/F w/SCS, 84 X 42" P/F w/DCS, 84 X 48" P/F w/SCS, 84 X 48" P/F w/DCS, 84" X 54" P/F w/SCS, 84" X 54" P/F w/DCS, 90" x 36" P/F w/SCS, 90" X 48" P/F w/SCS, 90" X 48" P/F w/DCS, 96" X 36" P/F w/SCS, 96" X 36" P/F w/DCS, 96" X 42" P/F w/SCS, 96" X 42" P/F w/DCS, 96" X 48" P/F w/SCS, 96" X 48" P/F w/DCS, 96" X 54" P/F w/SCS, 96" X 54" P/F w/DCS)

PARTS BREAKDOWN

FINAL ASSEMBLY (1-PIECE PLATFORM WITH CART STOPS)

- Continued



MAXON[®]

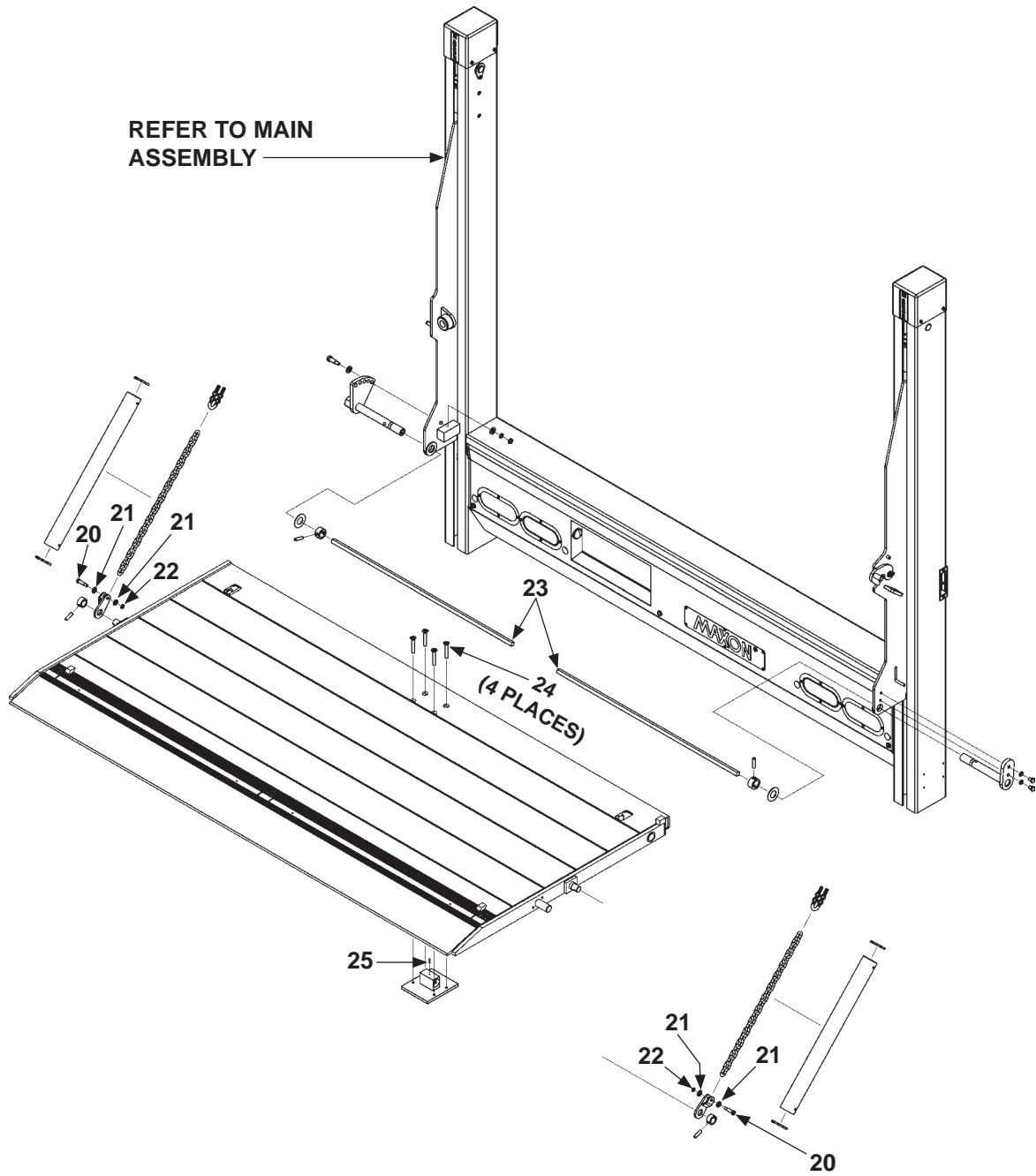
11921 Slauson Ave. Santa Fe Springs, CA. 90670 (800) 227-4116 FAX (888) 771-7713

ITEM	QTY.	PART NO.	DESCRIPTION
1	1	285290-01	ALUMINUM PLATFORM WELDMENT 36" X 83-7/8"
		285290-02	ALUMINUM PLATFORM WELDMENT 42" X 83-7/8"
		285290-03	ALUMINUM PLATFORM WELDMENT 48" X 83-7/8"
		285290-04	ALUMINUM PLATFORM WELDMENT 54" X 83-7/8"
		285290-05	ALUMINUM PLATFORM WELDMENT 36" X 89-7/8"
		285290-06	ALUMINUM PLATFORM WELDMENT 42" X 89-7/8"
		285290-07	ALUMINUM PLATFORM WELDMENT 48" X 89-7/8"
		285290-08	ALUMINUM PLATFORM WELDMENT 54" X 89-7/8"
		285290-09	ALUMINUM PLATFORM WELDMENT 36" X 95-7/8"
		285290-10	ALUMINUM PLATFORM WELDMENT 42" X 95-7/8"
		285290-11	ALUMINUM PLATFORM WELDMENT 48" X 95-7/8"
		285290-12	ALUMINUM PLATFORM WELDMENT 54" X 95-7/8"
2	1	285799-01	TORSION BAR HOUSING WELDMENT
3	2	253630	PIN COLLAR
4	2	904723-04	ROLL PIN, 3/8" X 1-1/2" LG.
5	2	261837-02	PLASTIC FLANGE BUSHING, 1" I.D. X 3/4"
6	1	284070-02	PIN, PLATFORM AND RUNNER, RH, 6 - 3/16" LG.
7	3	903448-02	LOCK WASHER, 3/8"
8	2	900764-06	HEX CAP SCREW, 3/8" - 16 X 1"
9	1	285768-01	TORSION BAR PIN WELDMENT, 1"DIA.
10	1	900048-5	SHOULDER SCREW SCREW, 1/2"X 3/8" - 16 X 1" LG.
11	2	903434-11	FLAT WASHER, M12
12	1	903107-02	HEX NUT, 3/8"-16
13	2	261609-07	PROTECTIVE CHAIN SLEEVE, 23" LG.
14	2	283209-02	CHAIN (1/4") X 22" LG.
15	2	283721-01	U-BOLT, 3/8"-16 X 3-3/8" LG.
16	4	205780-08	PLASTIC TIE
17	2	283535-01	CHAIN HOLDER WELDMENT
18	2	283537-01	CHAIN HOLDER BRACKET SPACER
19	2	904723-03	ROLL PIN, 3/8" I.D. X 1-1/4" LG.

PARTS BREAKDOWN

FINAL ASSEMBLY (1-PIECE PLATFORM WITH CART STOPS)

- Continued



MAXON[®]

11921 Slauson Ave. Santa Fe Springs, CA. 90670 (800) 227-4116 FAX (888) 771-7713

ITEM	QTY.	PART NO.	DESCRIPTION
20	2	900723-06	SHOULDER SCREW, 3/8" X 1" LG.
21	4	903434-10	FLAT WASHER, M12
22	2	903114-01	HEX NUT, THIN (JAM) 5/16"-18
23	2	263041-12	TORSION BAR, 36-1/4" LG. (84" x 54" P/F w/SCS)
24	4	900061-10	FLAT HEAD SCREW, 3/8"-16 X 2-1/2" LG.
25	1	904705-01	STANDARD DOWEL PIN, 1/8" I.D. X 3/4" LG.

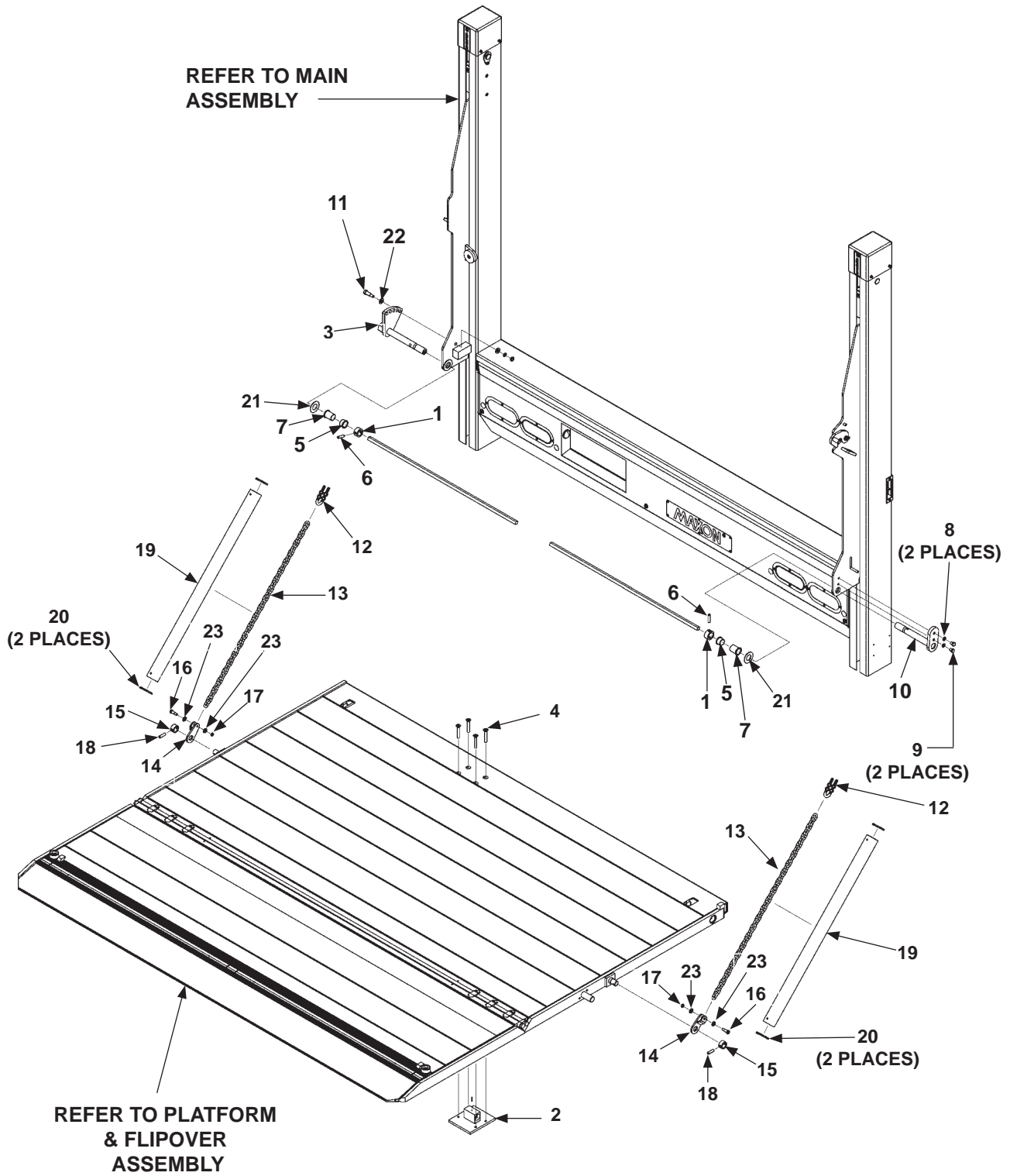
MAXON[®] 11921 Slauson Ave. Santa Fe Springs, CA. 90670 (800) 227-4116 FAX (888) 771-7713

PARTS BREAKDOWN

FINAL ASSEMBLY (2-PIECE PLATFORM)

MAXON®

11921 Slauson Ave. Santa Fe Springs, CA. 90670 (800) 227-4116 FAX (888) 771-7713



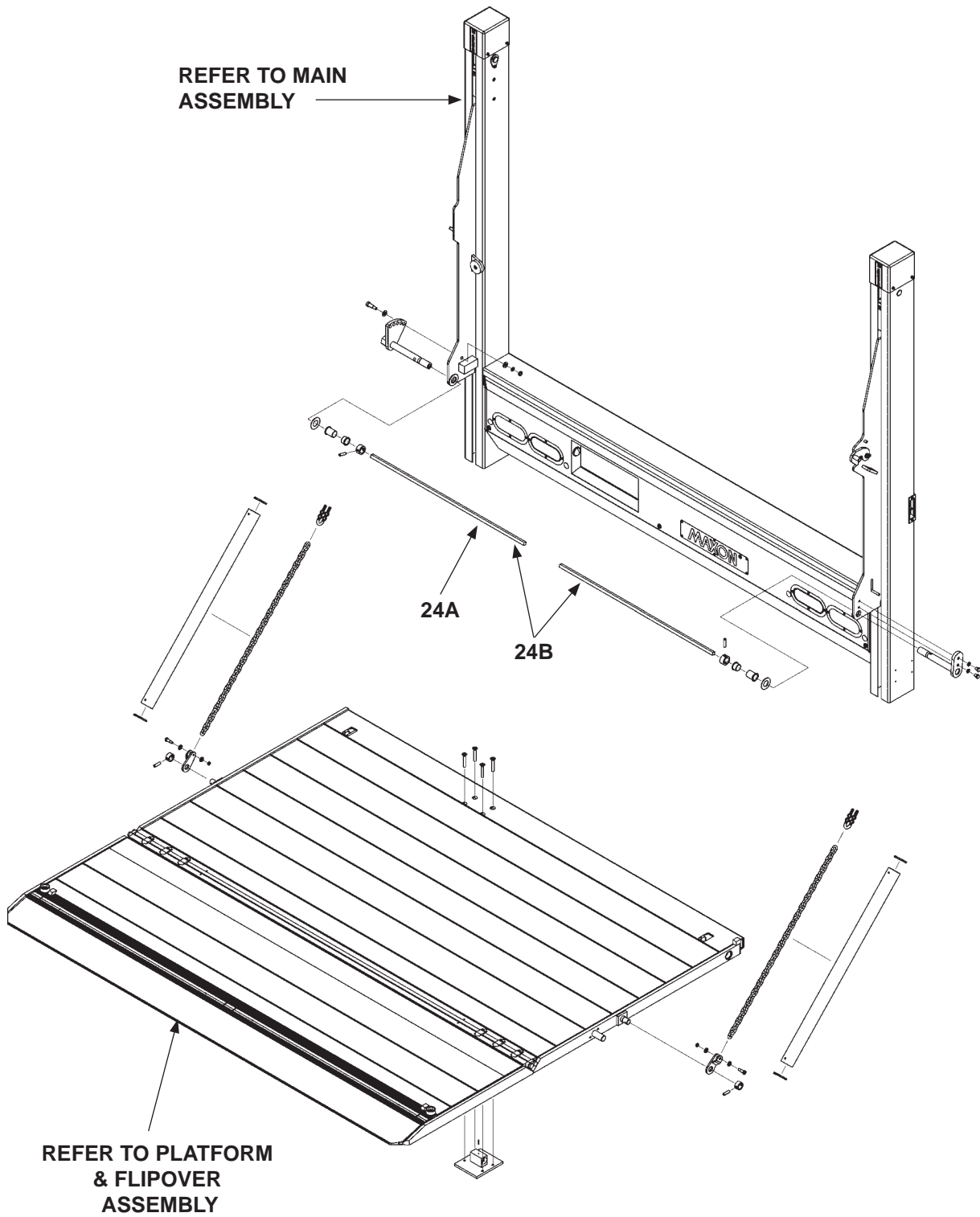
ITEM	QTY.	PART NO.	DESCRIPTION
1	2	253630	PIN COLLAR
2	1	285799-01	TORSION BAR HOUSING WELDMENT
3	1	285768-01	TORSION BAR PIN WELDMENT, 1"DIA., 9-1/2"LG.
4	4	900061-10	FLAT HEAD SCREW, 3/8"-16 X 2-1/2" LG.
5	2	261837-02	PLASTIC FLANGE BUSHING, 1" I.D. X 3/4"
6	2	904723-04	ROLL PIN, 3/8" X 1-1/2" LG.
7	2	261837-08	PLASTIC FLANGE BUSHING, 1" I.D. X 1-1/2"
8	2	903448-02	WASHER, 3/8"
9	2	900764-06	HEX CAP SCREW, 3/8" - 16 X 1"
10	1	284070-02	PIN, PLATFORM AND RUNNER, RH, 6 - 3/16" LG.
11	1	900048-5	SHOULDER SCREW, 1/2" X 3/8" -16 X 1" LG.
12	2	283721-01	U-BOLT, 3/8" - 16 X 3-3/8" LG.
13	2	283209-01	CHAIN, 1/4" X 35" LG.
		283209-02	CHAIN, 1/4" X 22" LG.
14	2	283535-01	CHAIN HOLDER WELDMENT
15	2	283537-01	CHAIN HOLDER BRACKET SPACER
16	2	900723-04	SHOULDER SCREW, 3/8" X 5/8" LG.
17	2	903114-01	HEX NUT, 5/16"-18
18	2	904723-03	ROLL PIN, 3/8" X 1-1/4" LG.
19	2	261609-07	PROTECTIVE CHAIN SLEEVE-BMR 23" LG
		261609-09	PROTECTIVE CHAIN SLEEVE-BMR 35" LG
20	4	205780	PLASTIC TIE, 7"
21	2	905146-03	FIBERGLIDE THRUST BEARING, 1" I.D.
22	1	903434-11	FLAT WASHER, M12
23	4	903434-10	FLAT WASHER, M12

MAXON®

11921 Slauson Ave. Santa Fe Springs, CA. 90670 (800) 227-4116 FAX (888) 771-7713

PARTS BREAKDOWN

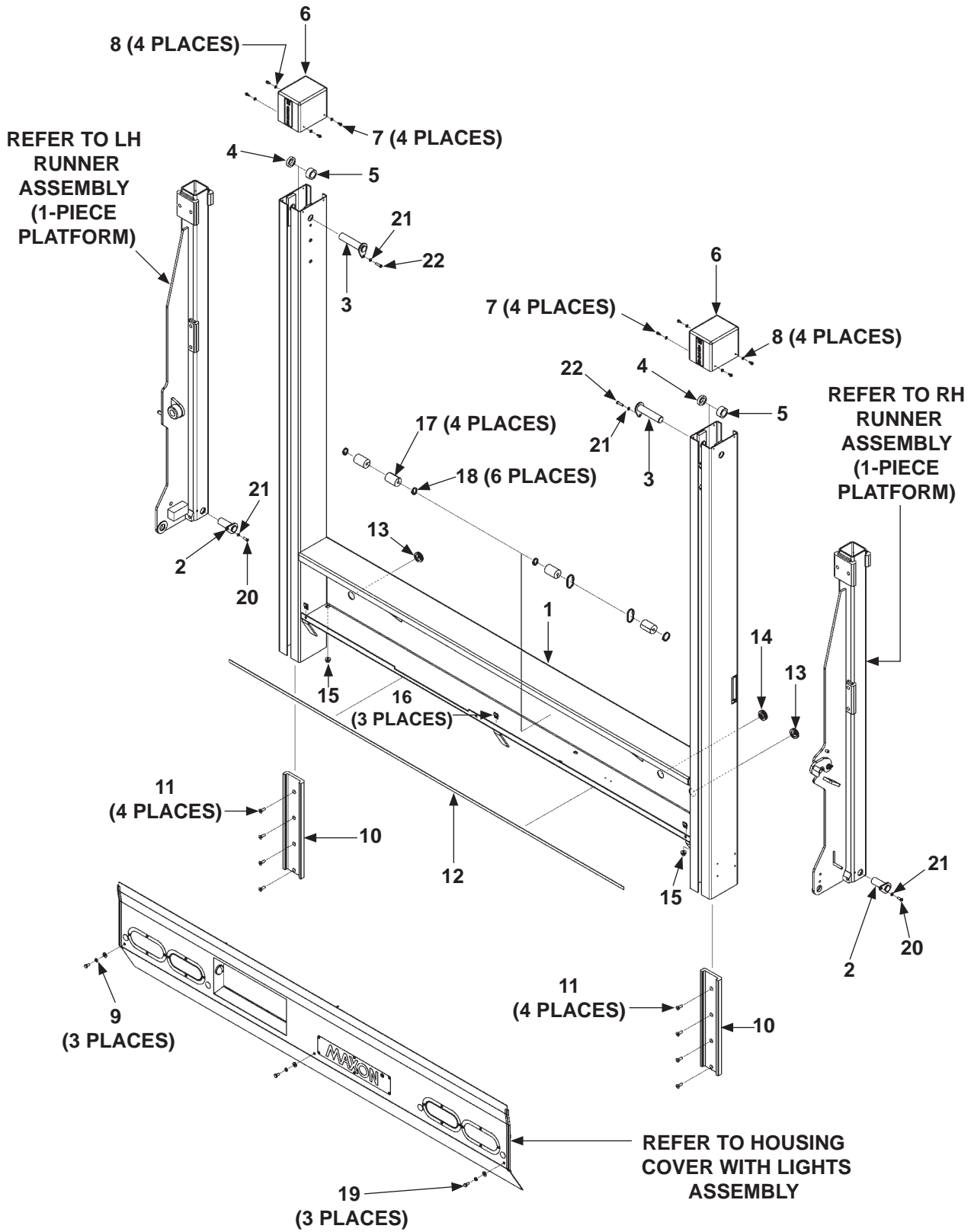
FINAL ASSEMBLY (2-PIECE PLATFORM) - Continued



ITEM	QTY.	PART NO.	DESCRIPTION
24A	1	263041-11	TORSION BAR, 39" LG. (96" X 36" P/F + (18" + 6" F/O) w/ SCS, 96" X 36" P/F + (18" + 6" F/O) w/DCS)
		263041-12	TORSION BAR, 36" LG. (84" X 30" P/F + (18" + 6" F/O) w/DCS, 84" X 39" P/F + (18" + 6" F/O) w/SCS, 89" X 36" P/F + (24" + 6" F/O) w/DCS, 89" X 42" P/F + (30" + 6" F/O) w/DCS, 89" X 42" P/F + (30" + 6" F/O) w/SCS, 90" X 30" P/F + (24" + 6" F/O) w/SCS, 90" X 30" P/F + (18" + 6" F/O) w/DCS, 90" X 36" P/F + (24" + 6" F/O) w/SCS, 96" X 30" P/F + (18" + 6" F/O) w/SCS, 96" X 30" P/F + (18" + 6" F/O) w/DCS,
		263041-13	TORSION BAR, 28" LG. (77" X 36" P/F + (24" + 6" F/O) w/ SCS, (77" X 36" P/F + (24" + 6" F/O) w/DCS, 83" X 42" P/F + (30" + 6" F/O) w/SCS, 83" X 42" P/F + (30" + 6" F/O) w/DCS,
24B	2	263041-11	TORSION BAR, 39" LG. (83" X 36" P/F + (24" + 6" F/O) w/DCS, 83" X 36" P/F + (24" + 6" F/O) w/SCS, 90" X 36" P/F + (18" + 6" F/O) w/SCS)
		263041-12	TORSION BAR, 36" LG. (77" X 42" P/F + (30" + 6" F/O) w/ SCS, 77" X 42" P/F + (30" + 6" F/O) w/DCS, 90" X 36" P/F + (18" + 6" F/O) w/DCS)
		263041-13	TORSION BAR, 28" LG. (90" X 48" P/F + (24" + 6" F/O) w/ SCS, 90" X 48" P/F + (24" + 6" F/O) w/DCS)

MAXON[®] 11921 Slauson Ave. Santa Fe Springs, CA. 90670 (800) 227-4116 FAX (888) 771-7713

PARTS BREAKDOWN MAIN ASSEMBLY (1-PIECE PLATFORM)

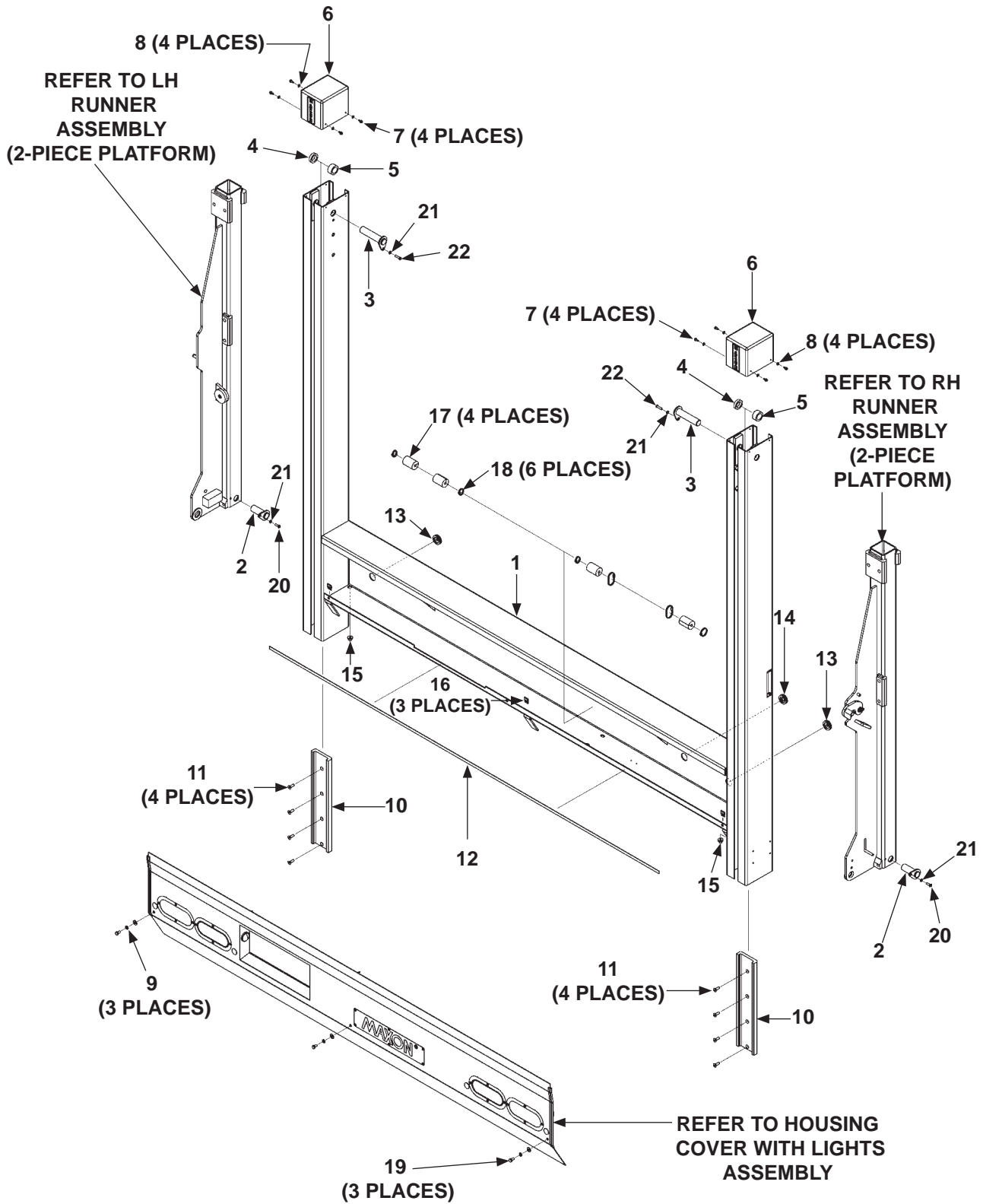


MAXON®

11921 Slauson Ave. Santa Fe Springs, CA. 90670 (800) 227-4116 FAX (888) 771-7713

ITEM	QTY.	PART NO.	DESCRIPTION
1	1	285240-01	MAIN FRAME WELDMENT, 90" LG.
		285240-02	MAIN FRAME WELDMENT, 96" LG.
		285240-03	MAIN FRAME WELDMENT, 102" LG.
2	2	285262-01	PIN WELDMENT, 1.0" DIA. X 3-3/8" LG.
3	2	285262-02	PIN WELDMENT, 1.0" DIA. X 4-3/4" LG.
4	2	283211-01	CYLINDER SPACER, 3/8" LG.
5	2	283211-02	CYLINDER SPACER, 3/4" LG.
6	2	285268-01	TOP COVER
7	8	900762-02	TAP SCREW, #10-24 X 1/2" F
8	8	903444-01	FLAT WASHER, #10
9	3	903409-02	FLAT WASHER, 11/32" I.D. X 3/4" O.D,
10	2	283194-01	WEAR PAD, 18-1/4" LG.
11	8	900061-4	SOCKET HEAD SCREW, FLAT, 3/8"-16 X 1" LG.
12	1	283716-02	RUBBER SEALING STRIP, 80-1/4" LG.
		283716-03	RUBBER SEALING STRIP, 86-1/4" LG.
		283716-04	RUBBER SEALING STRIP, 92-1/4" LG.
13	2	266428-04	GROMMET, 1"O.D. X 3/8" I.D.
14	1	266428-06	GROMMET, 1"O.D. X 9/16" I.D.
15	2	5-60025	RUBBER GROMMET
16	3	203877	J-NUT, 5/16"-18
17	4	283717-01	RUBBER TUBE ASSEMBLY, 3/8" X 2" LG.
18	6	205780	PLASTIC TIE, 7" LG.
19	3	900763-04	BUTTON SCREW, 8-32 X 3/4" LG.
20	2	900719-05	BUTTON SCREW, 1/4"-20 X 3/4" LG.
21	4	903448-01	NORD-LOCK WASHER, 1/4"/M6
22	2	900719-07	BUTTON SCREW, 1/4"-20 X 1" LG.

PARTS BREAKDOWN MAIN ASSEMBLY (2-PIECE PLATFORM)



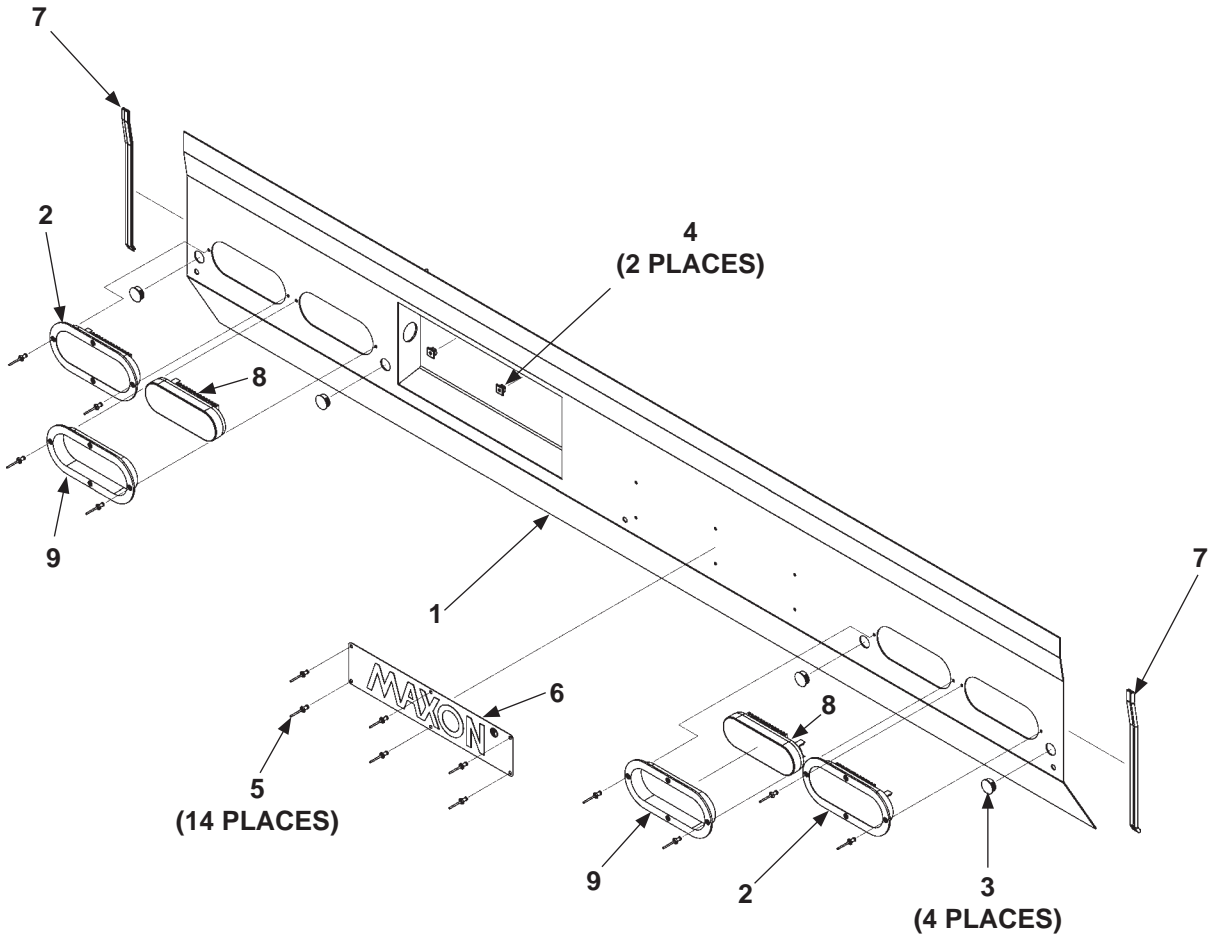
MAXON[®]

11921 Slauson Ave. Santa Fe Springs, CA. 90670 (800) 227-4116 FAX (888) 771-7713

ITEM	QTY.	PART NO.	DESCRIPTION
1	1	285240-01	MAIN FRAME WELDMENT, 90" LG.
		285240-02	MAIN FRAME WELDMENT, 96" LG.
		285240-03	MAIN FRAME WELDMENT, 102" LG.
2	2	285262-01	PIN WELDMENT, 1.0" DIA. X 3-3/8" LG.
3	2	285262-02	PIN WELDMENT, 1.0" DIA. X 4-3/4" LG.
4	2	283211-01	CYLINDER SPACER, 3/8" LG.
5	2	283211-02	CYLINDER SPACER, 3/4" LG.
6	2	285268-01	TOP COVER
7	8	900762-02	TAP SCREW, #10-24 X 1/2" F
8	8	903444-01	FLAT WASHER, #10
9	3	903409-02	FLAT WASHER, 11/32" I.D. X 3/4" O.D.,
10	2	283194-01	WEAR PAD, 18-1/4" LG.
11	8	900061-4	SOCKET HEAD SCREW, FLAT, 3/8"-16 X 1" LG.
12	1	283716-02	RUBBER SEALING STRIP, 80-1/4" LG.
		283716-03	RUBBER SEALING STRIP, 86-1/4" LG.
		283716-04	RUBBER SEALING STRIP, 92-1/4" LG.
13	2	266428-04	GROMMET, 1"O.D. X 3/8" I.D.
14	1	266428-06	GROMMET, 1"O.D. X 9/16" I.D.
15	2	5-60025	RUBBER GROMMET
16	3	203877	J-NUT, 5/16"-18
17	4	283717-01	RUBBER TUBE ASSEMBLY, 3/8" X 2" LG.
18	6	205780	PLASTIC TIE, 7" LG.
19	3	900763-04	BUTTON SCREW, 8-32 X 3/4" LG.
20	2	900719-05	BUTTON SCREW, 1/4"-20 X 3/4" LG.
21	4	903448-01	NORD-LOCK WASHER, 1/4"/M6
22	2	900719-07	BUTTON SCREW, 1/4"-20 X 1" LG.

PARTS BREAKDOWN

HOUSING COVER WITH LIGHTS ASSEMBLY



MAXON®

11921 Slauson Ave. Santa Fe Springs, CA. 90670 (800) 227-4116 FAX (888) 771-7713

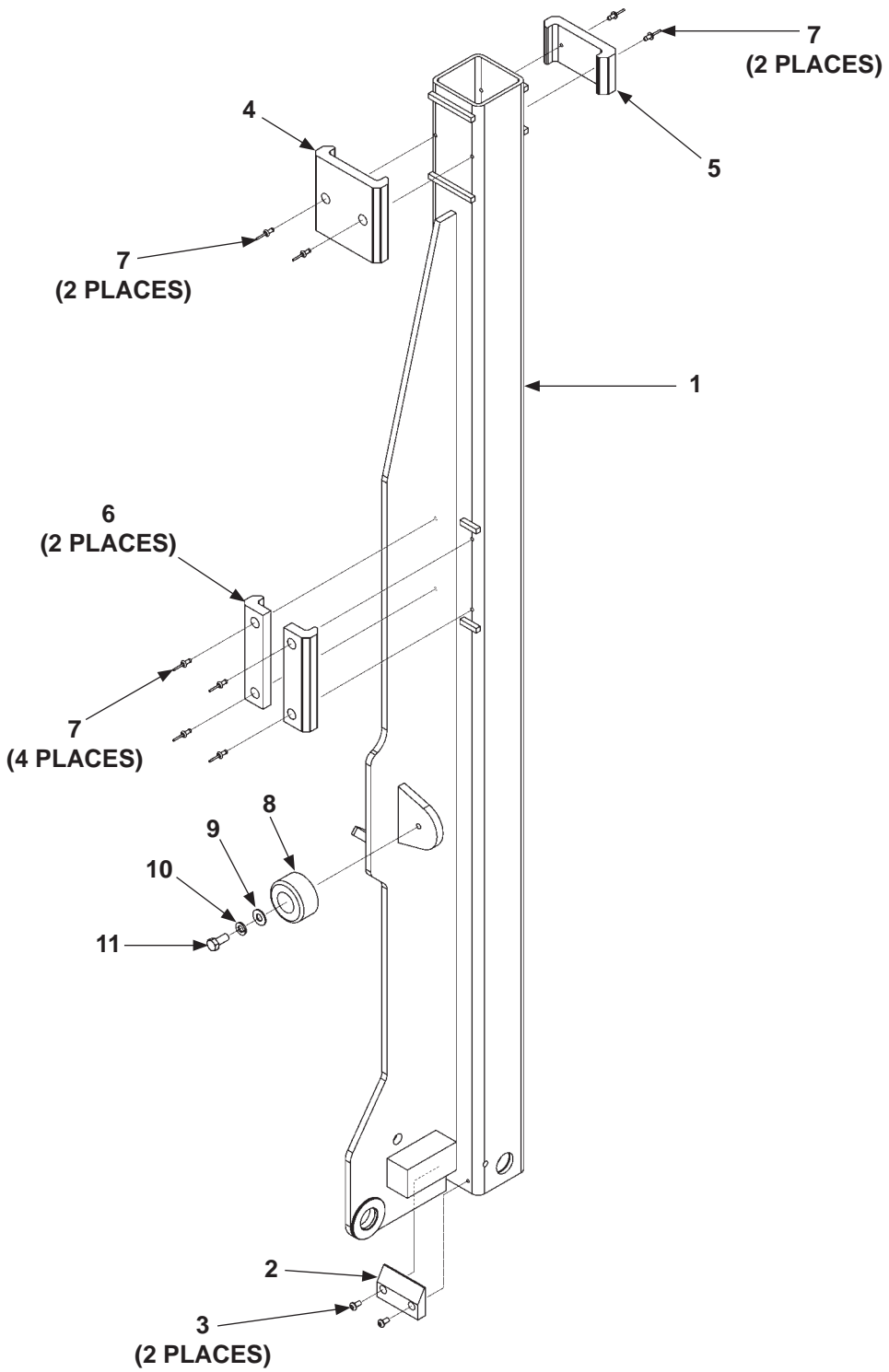
ITEM	QTY.	PART NO.	DESCRIPTION
1	1	285272-01	COVER WELDMENT, 80" LG.
		285272-02	COVER WELDMENT, 86" LG.
		285272-03	COVER WELDMENT, 92" LG.
2	2	265924-01	RED LED LIGHT, OVAL MATING FLANGE
3	4	908081-04	NYLON PLUG FOR 7/8" HOLE
4	2	901015-03	SQUARE HEAD NYLON NUT GROMMET, 1/4"
5	14	904005-1	BLIND RIVET, DOME 3/16" X 7/16"
6	1	050175	MAXON HORIZONTAL PLATE 3-1/4" X 15" X 1/32"
7	2	284284-01	COVER SEAL, 11" LG.
8	2	908124-01	LED CLEAR BACKUP LAMP, VERTICAL GROMMET MOUNT
9	2	265924-03	OVAL LIGHT FLANGE

PARTS BREAKDOWN

LH RUNNER (1-PIECE PLATFORM)

MAXON[®]

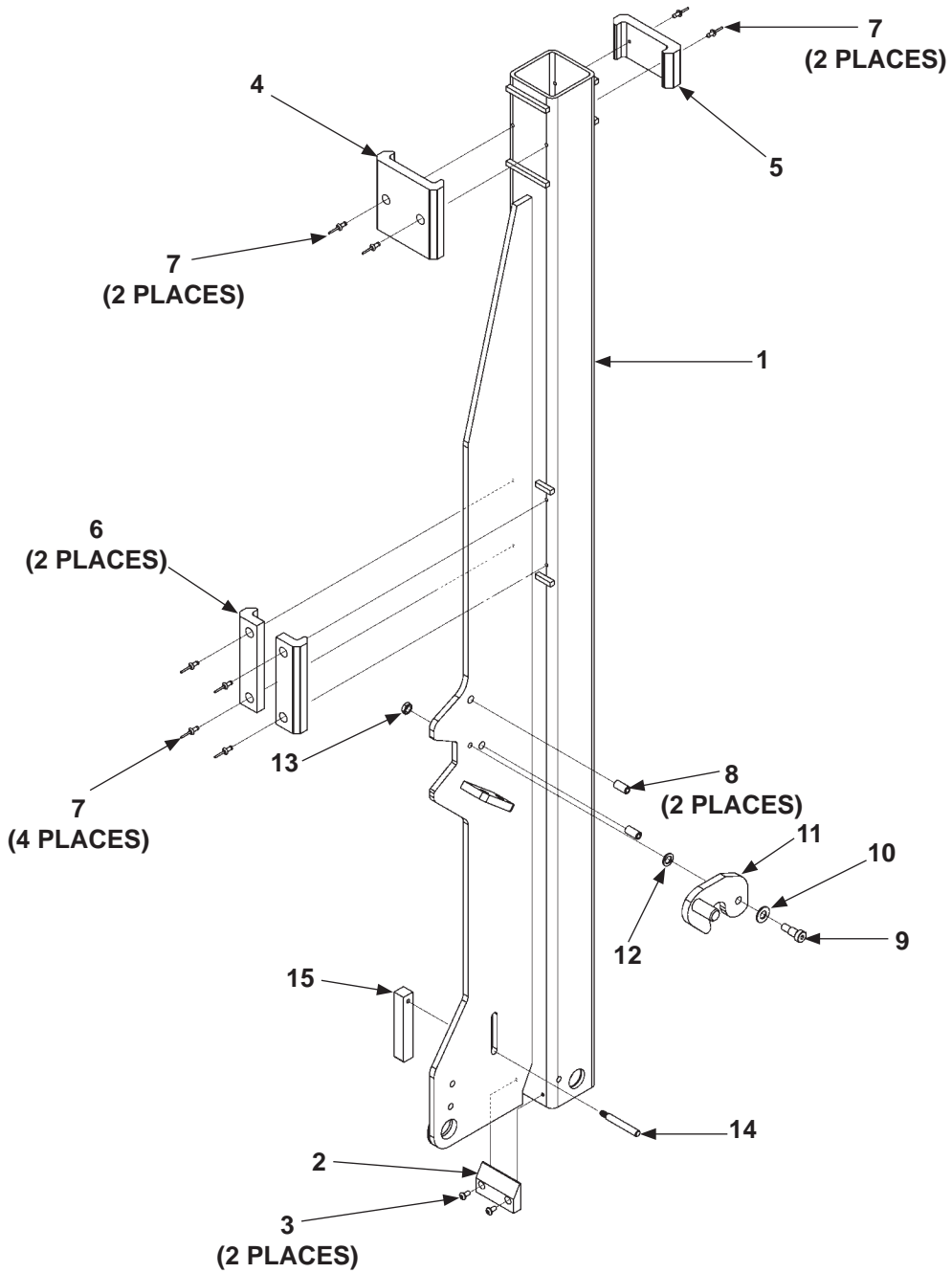
11921 Slauson Ave. Santa Fe Springs, CA. 90670 (800) 227-4116 FAX (888) 771-7713



ITEM	QTY.	PART NO.	DESCRIPTION
REF	1	285266	RUNNER ASSEMBLY
1	1	285266-01	LH RUNNER WELDMENT
2	1	284285-01	RUNNER BUMPER
3	2	900722-02	BUTTON SCREW, #10-24 X 3/8" LG.
4	1	283232-01	WEAR PAD, 4" LG., W/CHAMFER
5	1	283232-03	WEAR PAD, 2" LG.
6	2	283233-01	WEAR PAD, 5" LG.
7	8	903706-03	DOME RIVET, 5/32" DIA. X 7/16" LG.
8	1	253516	RUBBER BUMPER, 2" X 1"
9	1	903409-02	FLAT WASHER, 11/32" X 3/4"
10	1	902019-4	LOCK WASHER, 9/16" X 1/3"
11	1	901602-04	HEX BOLT, 5/16"-18 X 3/4", 18-8

PARTS BREAKDOWN

RH RUNNER (1-PIECE PLATFORM)



MAXON®

11921 Slauson Ave. Santa Fe Springs, CA. 90670 (800) 227-4116 FAX (888) 771-7713

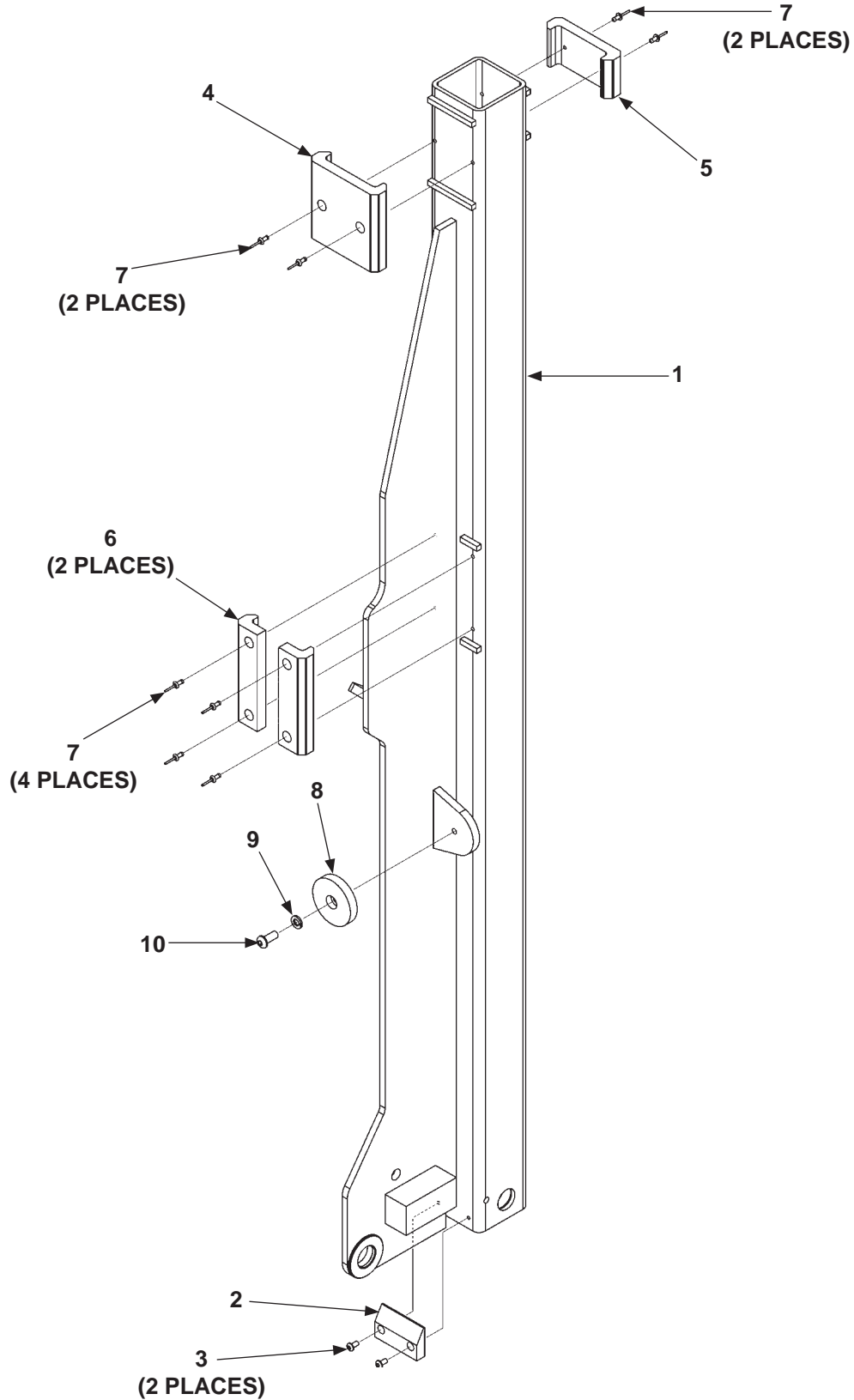
ITEM	QTY.	PART NO.	DESCRIPTION
REF	1	285265	RUNNER ASSEMBLY
1	1	285265-01	RH RUNNER WELDMENT
2	1	284285-01	RUNNER BUMPER
3	2	900722-02	BUTTON SCREW, #10-24 X 3/8" LG.
4	1	283232-01	WEAR PAD, 4" LG., W/CHAMFER
5	1	283232-03	WEAR PAD, 2" LG.
6	2	283233-01	WEAR PAD, 5" LG.
7	8	903706-03	DOME RIVET, 5/32" DIA. X 7/16" LG.
8	2	904723-01	ROLL PIN, 3/8" X 3/4" LG.
9	1	900723-03	SHOULDER SCREW, 3/8" X 1/2" LG.
10	1	903447-01	FLAT WASHER, 3/8" X 1/32" THICK
11	1	283195-01	UPPER LATCH WELDMENT
12	1	903447-02	FLAT WASHER, 3/8" X 1/32" THICK
13	1	903114-01	HEX NUT, 5/16"-18
14	1	283713-01	SPRING LEVER
15	1	285257-01	SQUARE BAR PLATFORM STOP

MAXON[®]

11921 Slauson Ave. Santa Fe Springs, CA. 90670 (800) 227-4116 FAX (888) 771-7713

PARTS BREAKDOWN

LH RUNNER (2-PIECE PLATFORM)



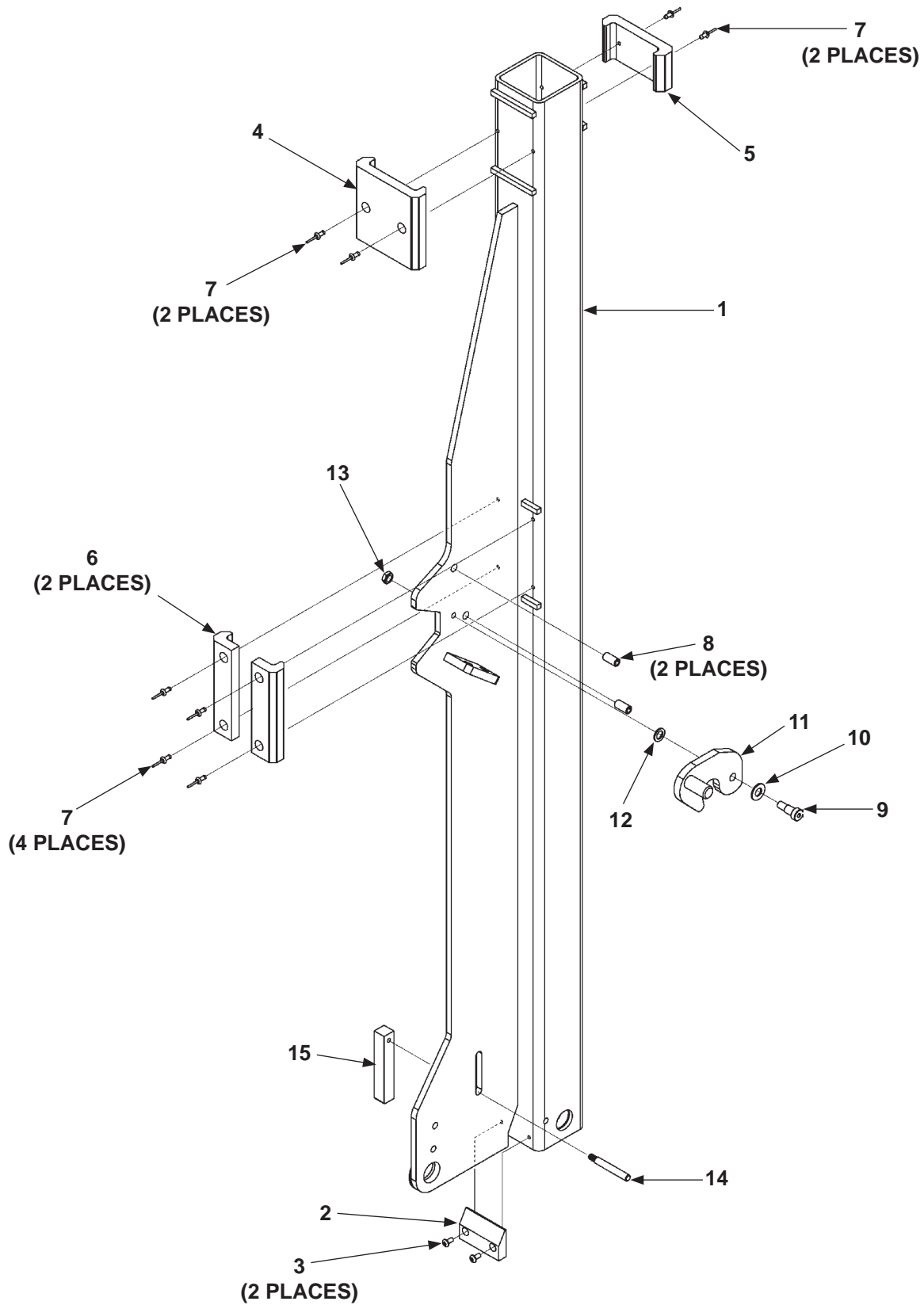
ITEM	QTY.	PART NO.	DESCRIPTION
REF	1	285294	RUNNER ASSEMBLY
1	1	285293-01	LH RUNNER WELDMENT C/B, 2PC PLATFORM
		285293-06	LH RUNNER WELDMENT 2PC PLATFORM
		285293-07	LH RUNNER WELDMENT, C/B, 2PC LONG PLATFORM
		285293-08	LH RUNNER WELDMENT, C/B, LONG PLATFORM
2	1	285285-01	RUNNER BUMPER
3	2	900722-02	BUTTON SCREW, #10-24 X 3/8" LG.
4	1	283232-01	WEAR PAD, 4" LG., W/CHAMFER
5	1	283232-03	WEAR PAD, 2" LG.
6	2	283233-01	WEAR PAD, 5" LG.
7	8	903706-03	DOME RIVET, 5/32" DIA. X 7/16" LG.
8	1	253516	RUBBER BUMPER, 2" X 1"
9	1	902019-4	LOCK WASHER, 9/16"
10	1	900763-04	BUTTON SCREW, 5/16"-18 X 3/4"

MAXON[®]

11921 Slauson Ave. Santa Fe Springs, CA. 90670 (800) 227-4116 FAX (888) 771-7713

PARTS BREAKDOWN

RH RUNNER (2-PIECE PLATFORM)



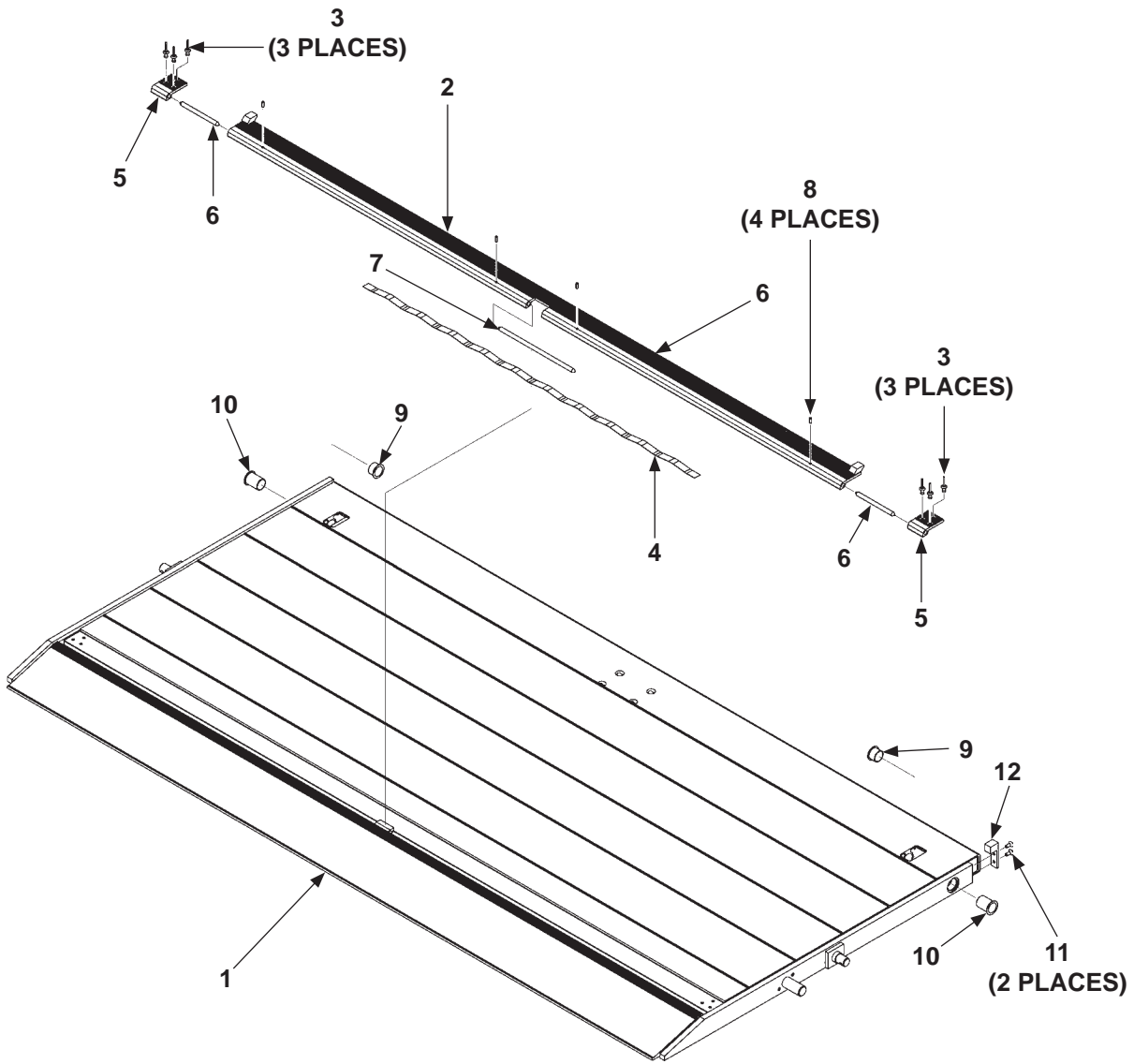
ITEM	QTY.	PART NO.	DESCRIPTION
REF	1	285294	RUNNER ASSEMBLY
1	1	285293-02	RH RUNNER WELDMENT, C/B
		285293-04	RH RUNNER WELDMENT
2	1	284285-01	RUNNER BUMPER
3	2	900722-02	BUTTON SCREW, #10-24 X 3/8" LG.
4	1	283232-01	WEAR PAD, 4" LG., W/CHAMFER
5	1	283232-03	WEAR PAD, 2" LG.
6	2	283233-01	WEAR PAD, 5" LG.
7	8	903706-03	DOME RIVET, 5/32" DIA. X 7/16" LG.
8	2	904723-01	ROLL PIN, 3/8" X 3/4" LG.
9	1	900723-03	SHOULDER SCREW, 3/8" X 1/2" LG.
10	1	903447-01	FLAT WASHER, 3/8" X 1/32" THICK
11	1	283195-01	UPPER LATCH WELDMENT
12	1	903447-02	FLAT WASHER, 3/8" X 1/32" THICK
13	1	903114-01	HEX NUT, 5/16"-18
14	1	283713-01	SPRING LEVER
15	1	285257-01	SQUARE BAR PLATFORM STOP

MAXON[®]

11921 Slauson Ave. Santa Fe Springs, CA. 90670 (800) 227-4116 FAX (888) 771-7713

PARTS BREAKDOWN

ALUMINUM PLATFORM (1-PIECE WITH SINGLE CART STOP)



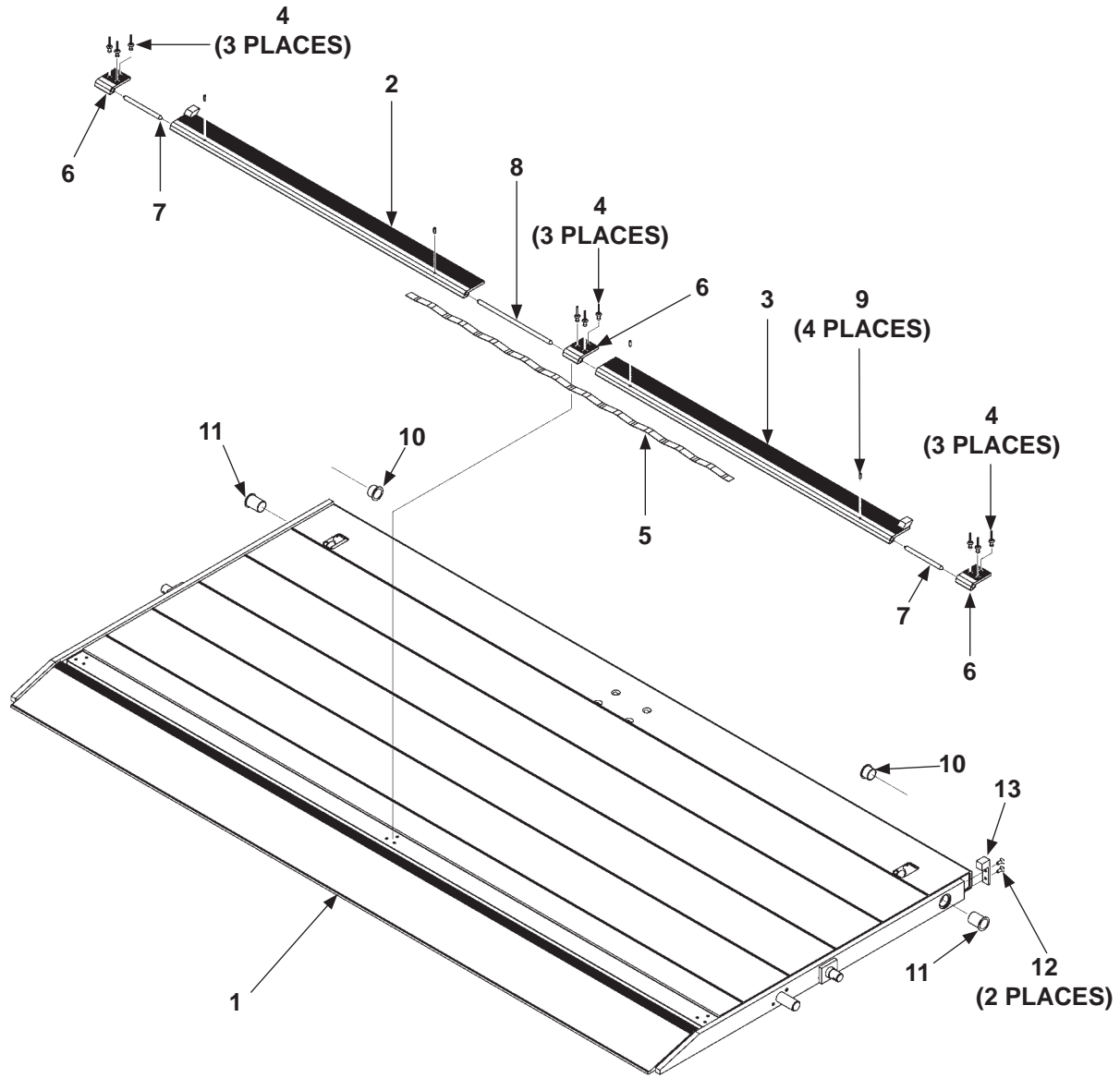
ITEM	QTY.	PART NO.	DESCRIPTION
1	1	285395-21	ALUMINUM PLATFORM WELDMENT 83-7/8" X 30" + 6"
		285395-22	ALUMINUM PLATFORM WELDMENT 83-7/8" X 36" + 6"
		285395-23	ALUMINUM PLATFORM WELDMENT 83-7/8" X 42" + 6"
		285395-24	ALUMINUM PLATFORM WELDMENT 83-7/8" X 48" + 6"
		285395-25	ALUMINUM PLATFORM WELDMENT 89-7/8" X 30" + 6"
		285395-26	ALUMINUM PLATFORM WELDMENT 89-7/8" X 36" + 6"
		285395-27	ALUMINUM PLATFORM WELDMENT 89-7/8" X 42" + 6"
		285395-28	ALUMINUM PLATFORM WELDMENT 89-7/8" X 48" + 6"
		285395-29	ALUMINUM PLATFORM WELDMENT 95-7/8" X 30" + 6"
		285395-30	ALUMINUM PLATFORM WELDMENT 95-7/8" X 36" + 6"
		285395-31	ALUMINUM PLATFORM WELDMENT 95-7/8" X 42" + 6"
		285395-32	ALUMINUM PLATFORM WELDMENT 95-7/8" X 48" + 6"
2	1	267092-41	LH CART STOP WELDMENT, 38" LG.
		267092-43	LH CART STOP WELDMENT, 41" LG.
		267092-45	LH CART STOP WELDMENT, 44" LG.
3	6	903705-02	BLIND RIVET, DOME, 1/4" I.D. X 5/8"
4	1	267581-02	FLIPOVER CART STOP SPRING, 3/4" X 42" LG.
5	2	267088-01	CART STOP LINK
6	2	267094-03	CART STOP PIN, 5" LG.
7	1	267094-04	CART STOP PIN, 9-3/4" LG.
8	4	904719-03	ROLL PIN, 3/16" I.D. X 9/16" LG.
9	2	261837-02	PLASTIC FLANGE BUSHING, 1" I.D. X 3/4" LG.
10	2	261837-08	PLASTIC FLANGE BUSHING, 1" I.D. X 1-1/2" LG.
11	2	900711-02	FLUSH SOCKET SCREW, 1/4"-20 X 5/8"
12	1	285579-01	WEAR PLATE

MAXON®

11921 Slauson Ave. Santa Fe Springs, CA. 90670 (800) 227-4116 FAX (888) 771-7713

PARTS BREAKDOWN

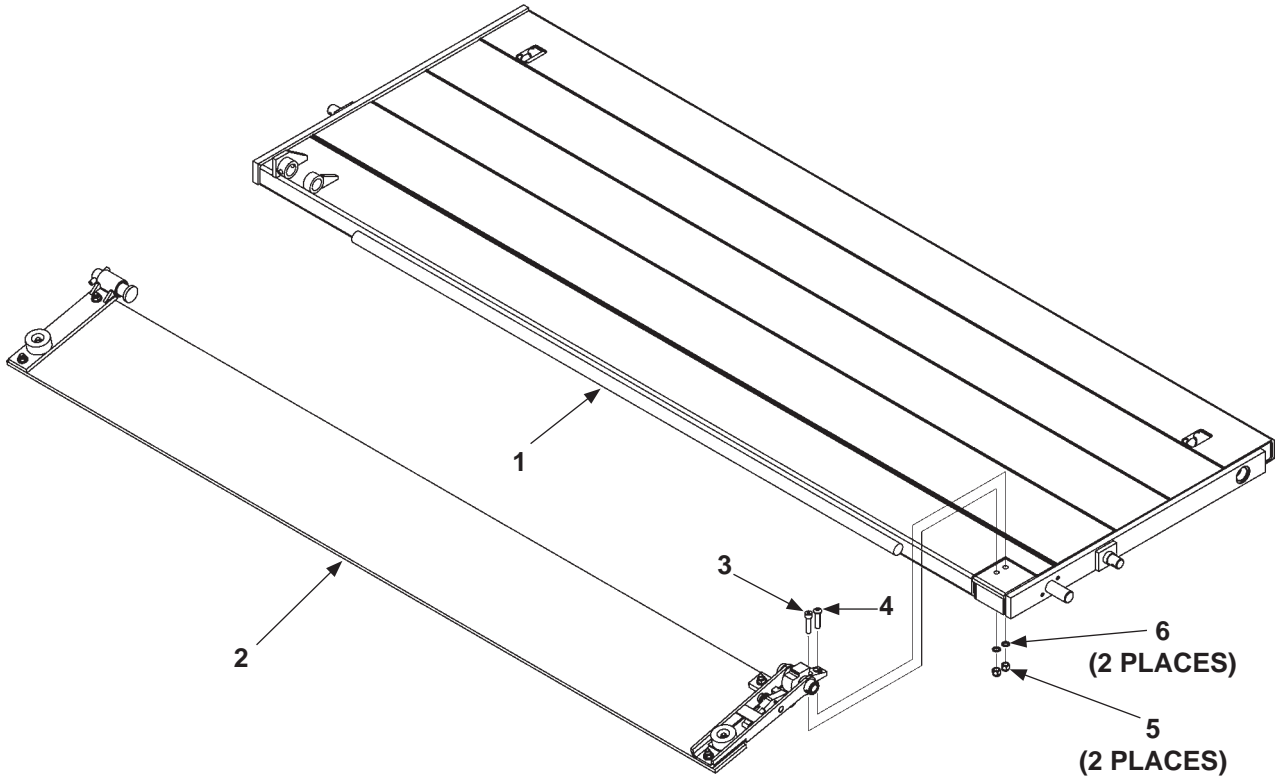
ALUMINUM PLATFORM (1-PIECE WITH DUAL CART STOPS)



ITEM	QTY.	PART NO.	DESCRIPTION
1	1	285395-01	ALUMINUM PLATFORM WELDMENT 83-7/8" X 30" + 6"
		285395-02	ALUMINUM PLATFORM WELDMENT 83-7/8" X 36" + 6"
		285395-03	ALUMINUM PLATFORM WELDMENT 83-7/8" X 42" + 6"
		285395-04	ALUMINUM PLATFORM WELDMENT 83-7/8" X 48" + 6"
		285395-05	ALUMINUM PLATFORM WELDMENT 89-7/8" X 32" + 6"
		285395-06	ALUMINUM PLATFORM WELDMENT 89-7/8" X 36" + 6"
		285395-07	ALUMINUM PLATFORM WELDMENT 89-7/8" X 42" + 6"
		285395-08	ALUMINUM PLATFORM WELDMENT 89-7/8" X 48" + 6"
		285395-09	ALUMINUM PLATFORM WELDMENT 95-7/8" X 30" + 6"
		285395-10	ALUMINUM PLATFORM WELDMENT 95-7/8" X 36" + 6"
		285395-11	ALUMINUM PLATFORM WELDMENT 95-7/8" X 42" + 6"
		285395-12	ALUMINUM PLATFORM WELDMENT 95-7/8" X 48" + 6"
2	1	267092-41	LH CART STOP WELDMENT, 38" LG.
		267092-43	LH CART STOP WELDMENT, 41" LG.
		267092-45	LH CART STOP WELDMENT, 44" LG.
3	1	267092-42	RH CART STOP WELDMENT, 38" LG.
		267092-44	RH CART STOP WELDMENT, 41" LG.
		267092-46	RH CART STOP WELDMENT, 44" LG.
4	9	903705-02	BLIND RIVET, DOME, 1/4" I.D. X 5/8"
5	1	267581-02	FLIPOVER CART STOP SPRING, 3/4" X 42" LG.
6	3	267088-01	CART STOP LINK
7	2	267094-03	CART STOP PIN, 5" LG.
8	1	267094-04	CART STOP PIN, 9-3/4" LG.
9	4	904719-03	ROLL PIN, 3/16" I.D. X 9/16" LG.
10	2	261837-02	PLASTIC FLANGE BUSHING, 1" I.D. X 3/4" LG.
11	2	261837-08	PLASTIC FLANGE BUSHING, 1" I.D. X 1-1/2" LG.
12	2	900711-02	FLUSH SOCKET SCREW, 1/4"-20 X 5/8"
13	1	285579-01	WEAR PLATE

PARTS BREAKDOWN

ALUMINUM PLATFORM (1-PIECE WITH ALUMINUM RETENTION RAMP)



MAXON[®]

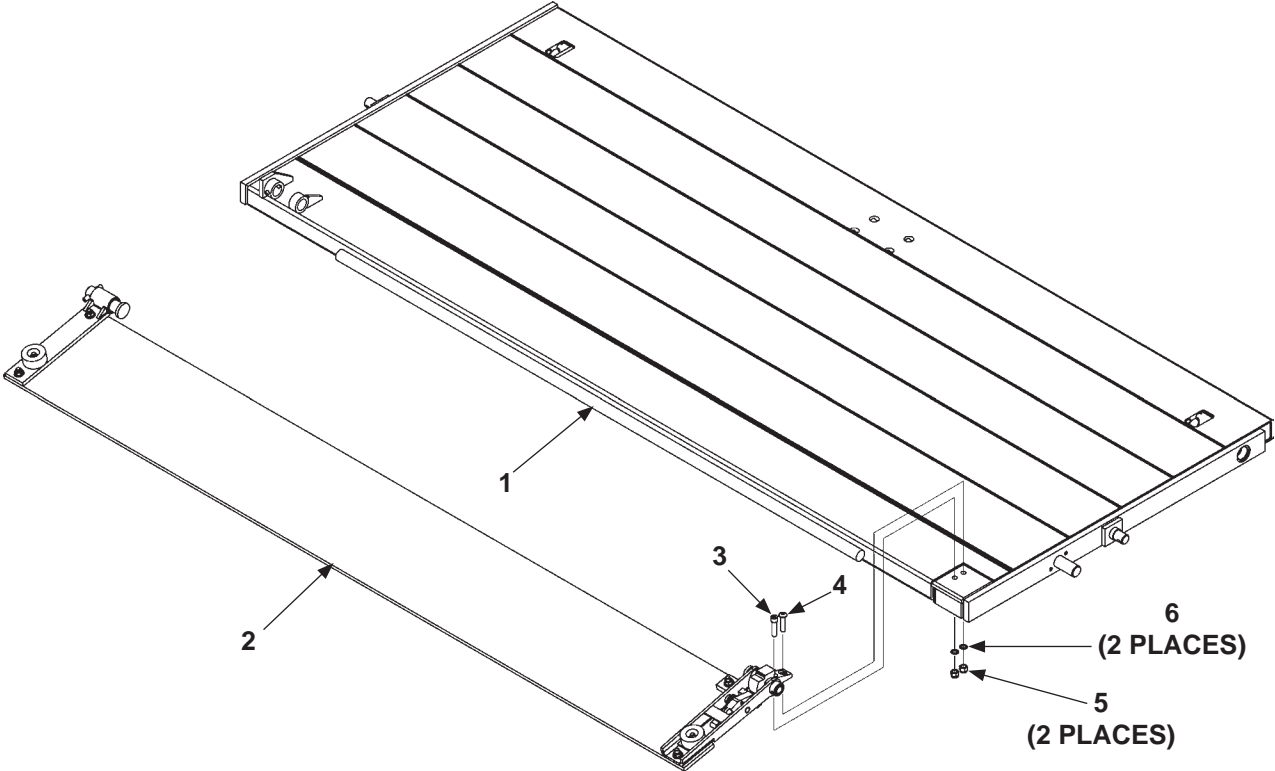
11921 Slauson Ave. Santa Fe Springs, CA. 90670 (800) 227-4116 FAX (888) 771-7713

ITEM	QTY.	PART NO.	DESCRIPTION
1	1	285795-01	ALUMINUM PLATFORM WELDMENT, 30" X 83-7/8"
2	1	285526-05	ALUMINUM RETENTION RAMP, 10", 84" PLATFORM
		285526-06	ALUMINUM RETENTION RAMP, 10", 90" PLATFORM
		285526-07	ALUMINUM RETENTION RAMP, 10", 96" PLATFORM
3	1	900065-06	SOCKET HEAD SCREW, 3/8"-16 X 1-1/2"
4	1	900064-13	BUTTON SCREW, 3/8"-16 X 1-1/2"
5	2	901002	NYLON NUT, 3/8"-16
6	2	903447-02	FLAT WASHER, 3/8" I.D. X 1/32" THICK

MAXON[®] 11921 Slauson Ave. Santa Fe Springs, CA. 90670 (800) 227-4116 FAX (888) 771-7713

PARTS BREAKDOWN

ALUMINUM PLATFORM (1-PIECE WITH ALUMINUM RETENTION RAMP) - Continued



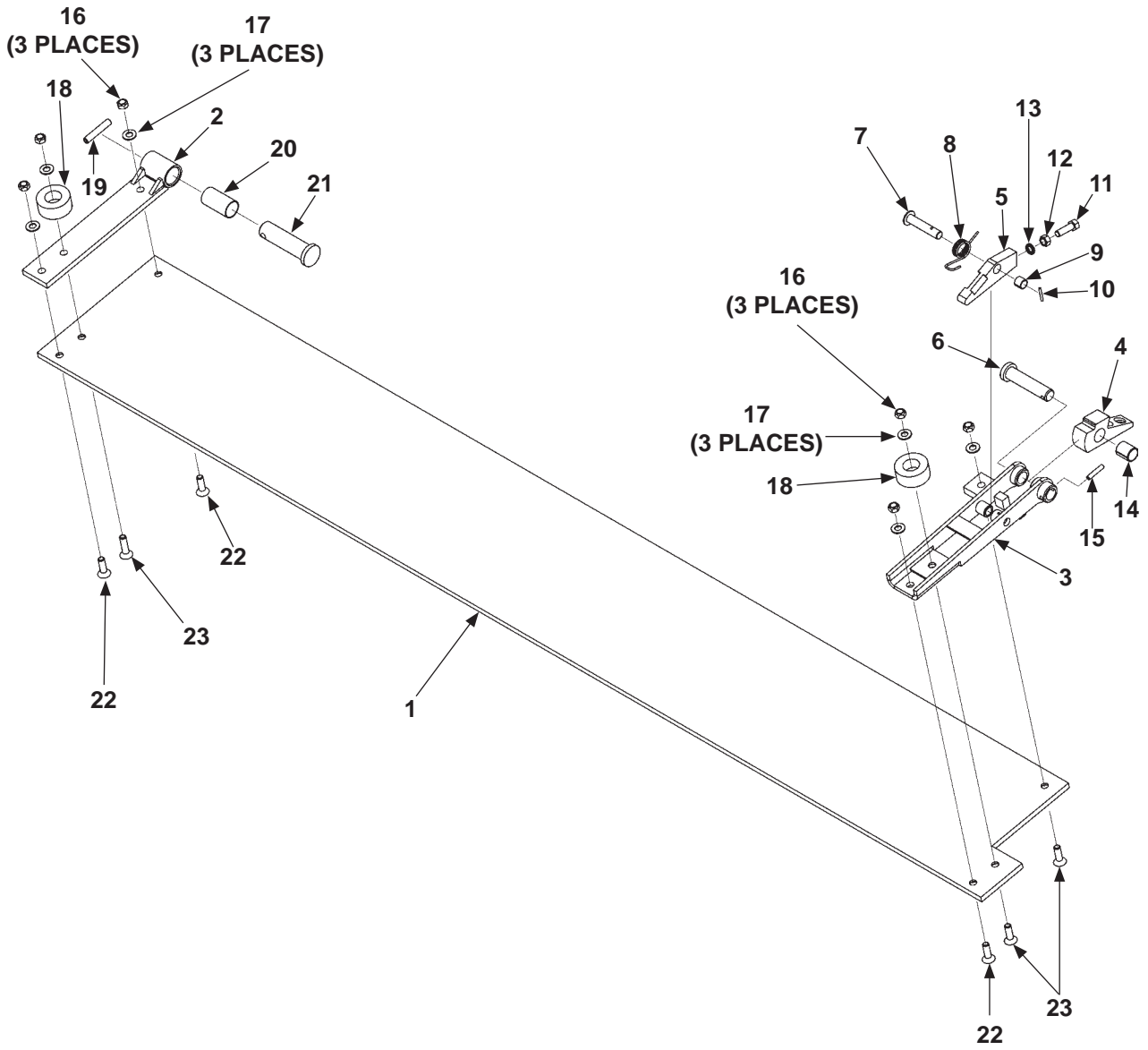
MAXON®
11921 Slauson Ave. Santa Fe Springs, CA. 90670 (800) 227-4116 FAX (888) 771-7713

ITEM	QTY.	PART NO.	DESCRIPTION
1	1	285795-02	ALUMINUM PLATFORM WELDMENT, 36" X 83-7/8"
		285795-03	ALUMINUM PLATFORM WELDMENT, 42" X 83-7/8"
		285795-04	ALUMINUM PLATFORM WELDMENT, 48" X 83-7/8"
		285795-05	ALUMINUM PLATFORM WELDMENT, 30" X 89-7/8"
		285795-06	ALUMINUM PLATFORM WELDMENT, 36" X 89-7/8"
		285795-07	ALUMINUM PLATFORM WELDMENT, 42" X 89-7/8"
		285795-08	ALUMINUM PLATFORM WELDMENT, 48" X 89-7/8"
		285795-09	ALUMINUM PLATFORM WELDMENT, 30" X 95-7/8"
		285795-10	ALUMINUM PLATFORM WELDMENT, 36" X 95-7/8"
		285795-11	ALUMINUM PLATFORM WELDMENT, 42" X 95-7/8"
		285795-12	ALUMINUM PLATFORM WELDMENT, 48" X 95-7/8"
		2	1
285526-06	ALUMINUM RETENTION RAMP, 10", 90" PLATFORM		
285526-07	ALUMINUM RETENTION RAMP, 10", 96" PLATFORM		
3	1	900065-06	SOCKET HEAD SCREW, 3/8"-16 X 1-1/2"
4	1	900064-13	BUTTON SCREW, 3/8"-16 X 1-1/2"
5	2	901002	NYLON NUT, 3/8"-16
6	2	903447-02	FLAT WASHER, 3/8" I.D. X 1/32" THICK

MAXON[®] 11921 Slauson Ave. Santa Fe Springs, CA. 90670 (800) 227-4116 FAX (888) 771-7713

PARTS BREAKDOWN ALUMINUM RETENTION RAMP

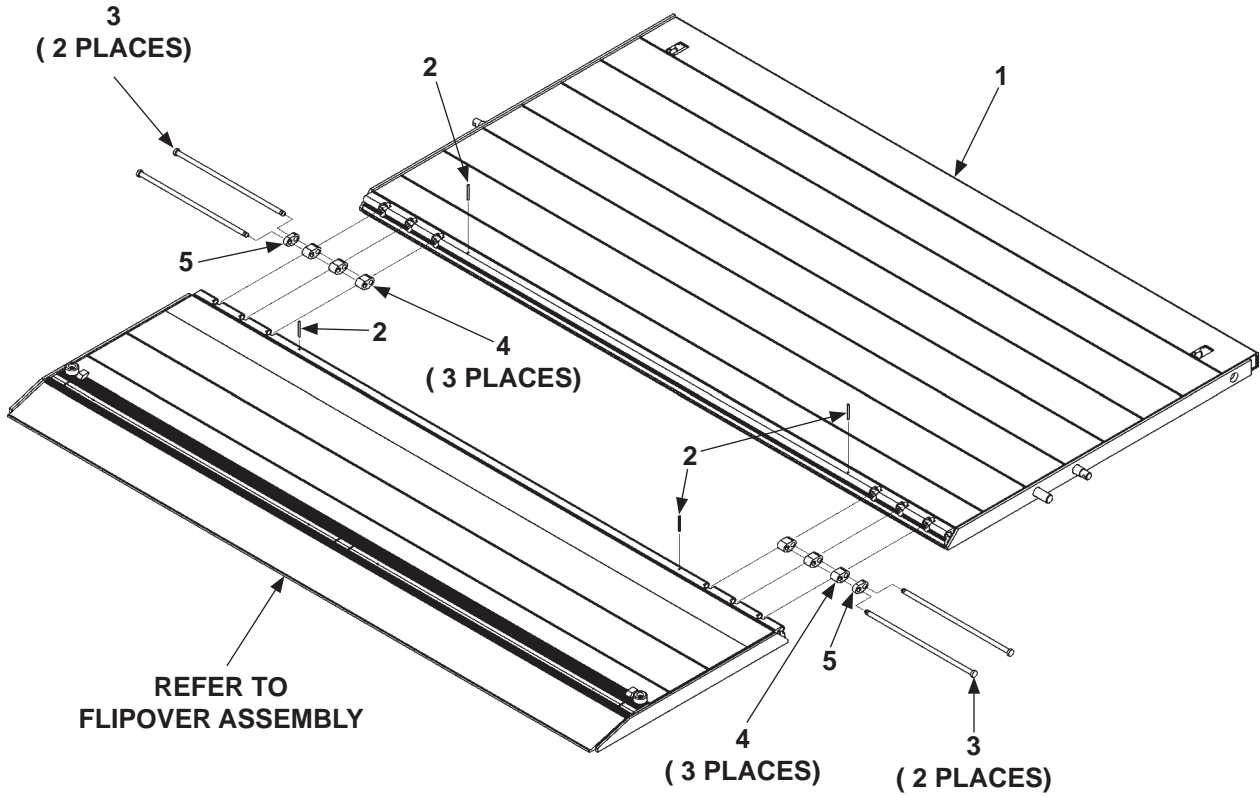
MAXON® 11921 Slauson Ave. Santa Fe Springs, CA. 90670 (800) 227-4116 FAX (888) 771-7713



ITEM	QTY.	PART NO.	DESCRIPTION
1	1	264697-05	ALUMINUM RAMP, 10", FOR 84" PLATFORM
		264697-06	ALUMINUM RAMP, 10", FOR 90" PLATFORM
		264697-07	ALUMINUM RAMP, 10", FOR 96" PLATFORM
2	1	253526-01	LH HINGE ARM WELDMENT
3	1	269555-01	RH HINGE ARM WELDMENT
4	1	264585	LOCKING CAM
5	1	269554-01	ADJUSTABLE LOCKING ARM
		269554-02	ADJUSTABLE LOCKING ARM, YELLOW PAINT
6	1	264586	PIN, 3/4" I.D.
7	1	264577	PIN WELDMENT, 1/2" I.D.
8	1	264638	LH TORSION SPRING,
9	1	253542	SELF-LUBRICATING BEARING, 1/2" X 1/2"
10	1	030406	ROLL PIN, 1/8" X 1"
11	1	030035	BOLT, 3/8"- 24 X 1-1/4" GR8
12	1	901011-6	HEX NUT, 3/8"- 24
13	1	903435-06	NORD-LOCK WASHER, 3/8" - M10
14	1	260917-06	SELF-LUBRICATING BEARING, 3/4" X 1"
15	1	905033-2	ROLL PIN, 1/4" X 1-1/4"
16	6	030955	LOCK NUT, 3/8"-16 GRC
17	6	902001-2	FLAT WASHER, 3/8" X 1/16"
18	2	905363-01	RUBBER BUMPER, 2" X 7/8"
19	1	904717-06	ROLL PIN, 3/8" X 2"
20	1	253541	SELF-LUBRICATING BEARING, 1" X 2"
21	1	253258	PIN
22	3	900040-5	FLAT HEAD SCREW, 3/8" -16 X 1-1/4"
23	3	900040-6	FLAT HEAD SCREW, 3/8" -16 X 1-1/2"

PARTS BREAKDOWN

PLATFORM & FLIPOVER ASSEMBLY



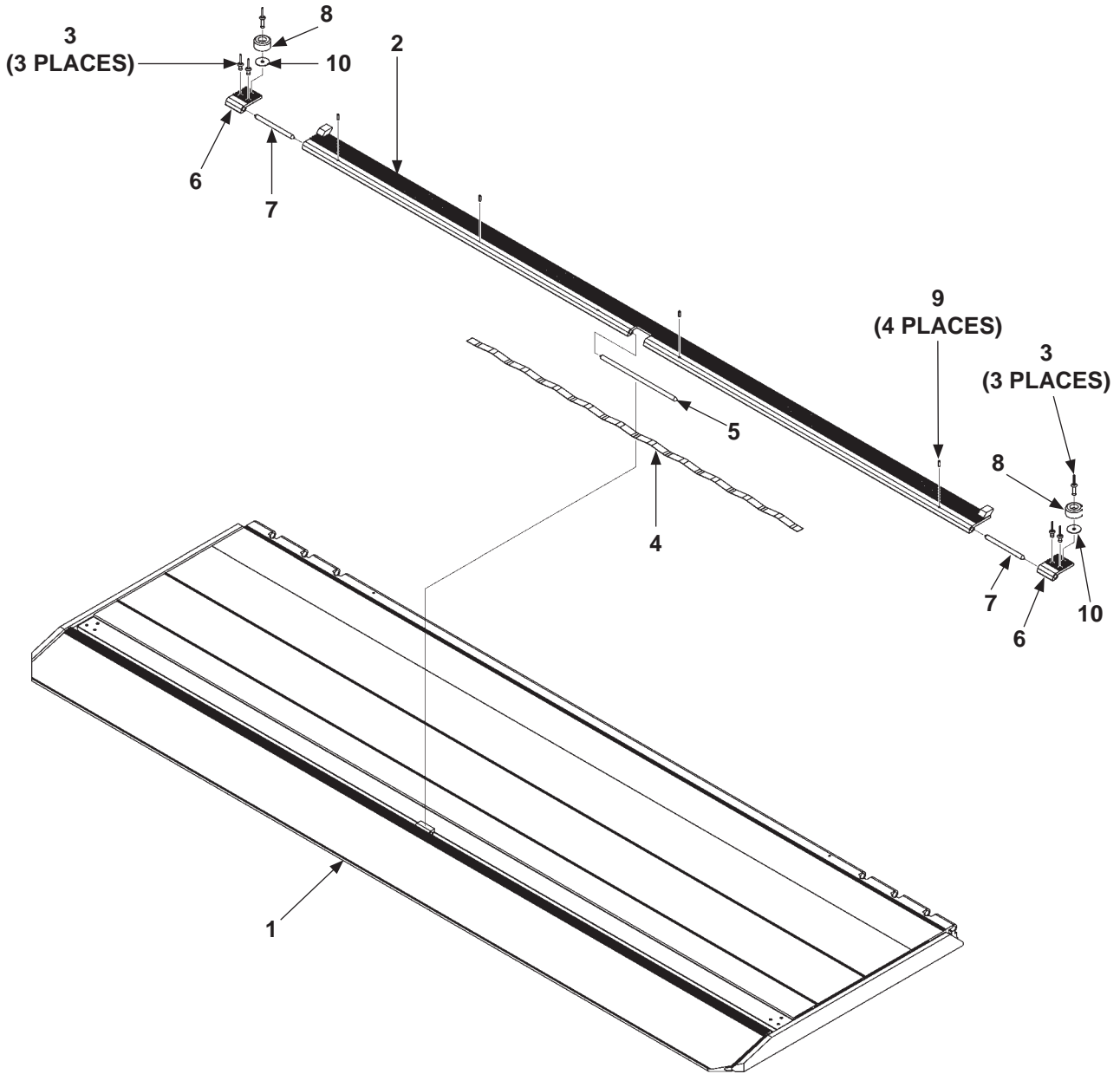
MAXON[®]

11921 Slauson Ave. Santa Fe Springs, CA. 90670 (800) 227-4116 FAX (888) 771-7713

ITEM	QTY.	PART NO.	DESCRIPTION
1	1	285388-01	ALUMINUM PLATFORM WELDMENT, 30" X 90" W BODY
		285388-02	ALUMINUM PLATFORM WELDMENT, 36" X 90" W BODY
		285388-03	ALUMINUM PLATFORM WELDMENT, 42" X 90" W BODY
		285388-04	ALUMINUM PLATFORM WELDMENT, 48" X 90" W BODY
		285388-05	ALUMINUM PLATFORM WELDMENT, 30" X 96" W BODY
		285388-06	ALUMINUM PLATFORM WELDMENT, 36" X 96" W BODY
		285388-07	ALUMINUM PLATFORM WELDMENT, 42" X 96" W BODY
		285388-08	ALUMINUM PLATFORM WELDMENT, 48" X 102" W BODY
		285388-09	ALUMINUM PLATFORM WELDMENT, 30" X 102" W BODY
		285388-10	ALUMINUM PLATFORM WELDMENT, 36" X 102" W BODY
		285388-11	ALUMINUM PLATFORM WELDMENT, 42" X 102" W BODY
		285388-12	ALUMINUM PLATFORM WELDMENT, 48" X 96" W BODY
2	4	904719-17	ROLL PIN, 3/16" I.D. X 2" LG.
3	4	282366-02	HINGE PIN
4	6	311046-10	LINK SPACER, 1" LG.
5	2	311046-11	LINK SPACER, 1/2" LG.

PARTS BREAKDOWN

FLIPOVER ASSEMBLY (WITH SINGLE CART STOP)



MAXON®

11921 Slauson Ave. Santa Fe Springs, CA. 90670 (800) 227-4116 FAX (888) 771-7713

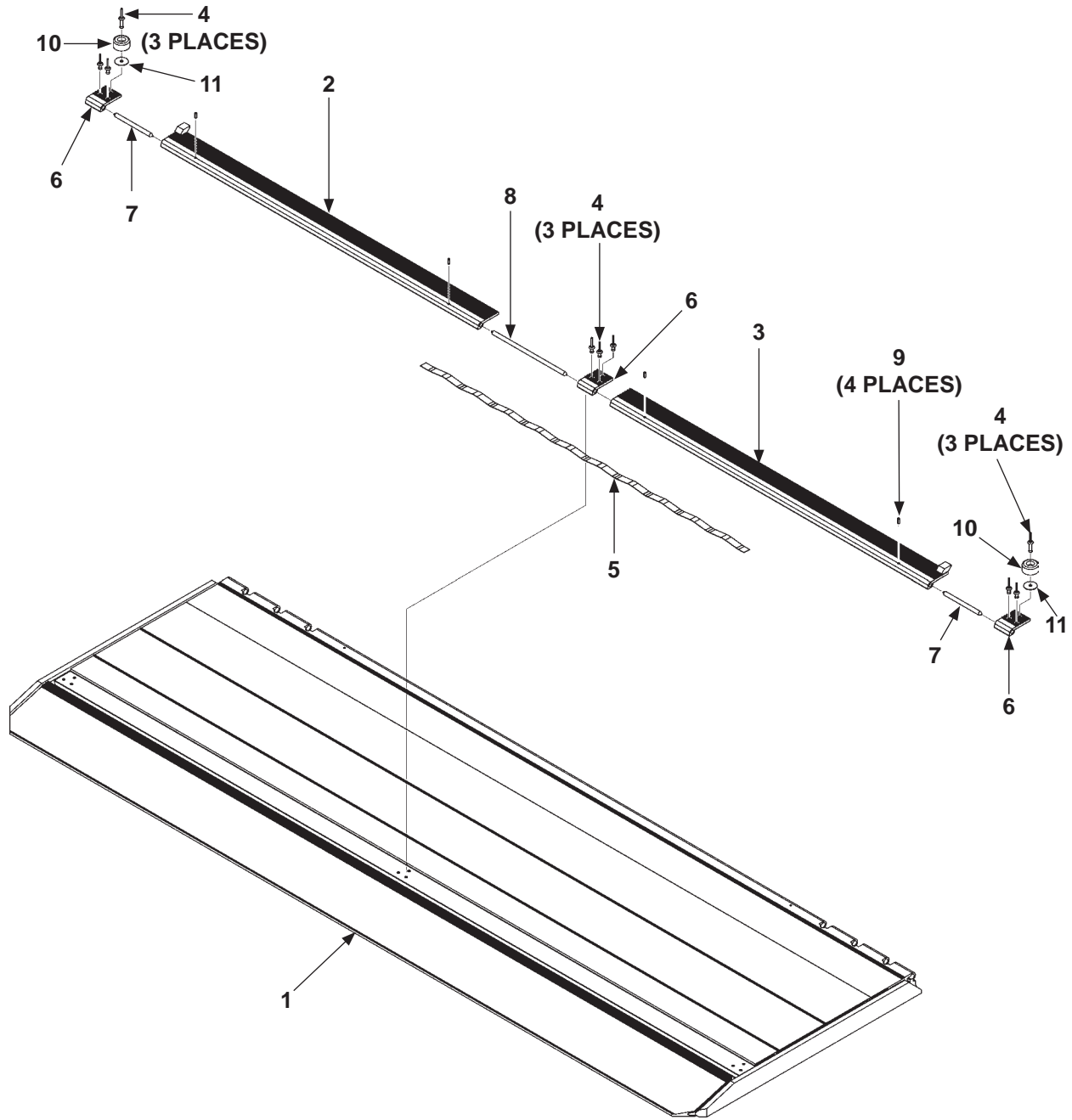
ITEM	QTY.	PART NO.	DESCRIPTION
1	1	285408-11	ALUMINUM FLIPOVER WELDMENT, 83-7/8" X 24" (18" + 6")
		285408-12	ALUMINUM FLIPOVER WELDMENT, 89-7/8" X 24" (18" + 6")
		285408-13	ALUMINUM FLIPOVER WELDMENT, 95-7/8" X 24" (18" + 6")
		285408-14	ALUMINUM FLIPOVER WELDMENT, 83-7/8" X 36" (30" + 6")
		285408-15	ALUMINUM FLIPOVER WELDMENT, 89-7/8" X 36" (30" + 6")
		285408-16	ALUMINUM FLIPOVER WELDMENT, 95-7/8" X 36" (30" + 6")
		285408-17	ALUMINUM FLIPOVER WELDMENT, 83-7/8" X 30" (24" + 6")
		285408-18	ALUMINUM FLIPOVER WELDMENT, 89-7/8" X 30" (24" + 6")
		285408-19	ALUMINUM FLIPOVER WELDMENT, 95-7/8" X 30" (24" + 6")
2	1	267092-56	CART STOP WELDMENT, 78-1/4" LG.
		267092-57	CART STOP WELDMENT, 84-1/4" LG.
		267092-58	CART STOP WELDMENT, 90-1/4" LG.
3	9	903705-02	BLIND RIVET, DOME, 1/4" I.D. X 5/8"
4	1	267581-02	FLIPOVER CART STOP SPRING, 3/4" X 42" LG.
5	1	267094-04	CART STOP PIN, 9-3/4" LG.
6	3	267088-01	CART STOP LINK
7	2	267094-03	CART STOP PIN, 5" LG.
8	2	905314-05	BUMPER CYLINDER
9	4	904719-03	ROLL PIN, 3/16" I.D. X 9/16" LG.
10	2	903409-07	FLAT WASHER 1/4" I.D. X 1-1/4" O.D.

MAXON[®]

11921 Slauson Ave. Santa Fe Springs, CA. 90670 (800) 227-4116 FAX (888) 771-7713

PARTS BREAKDOWN

FLIPOVER ASSEMBLY (WITH DUAL CART STOPS)

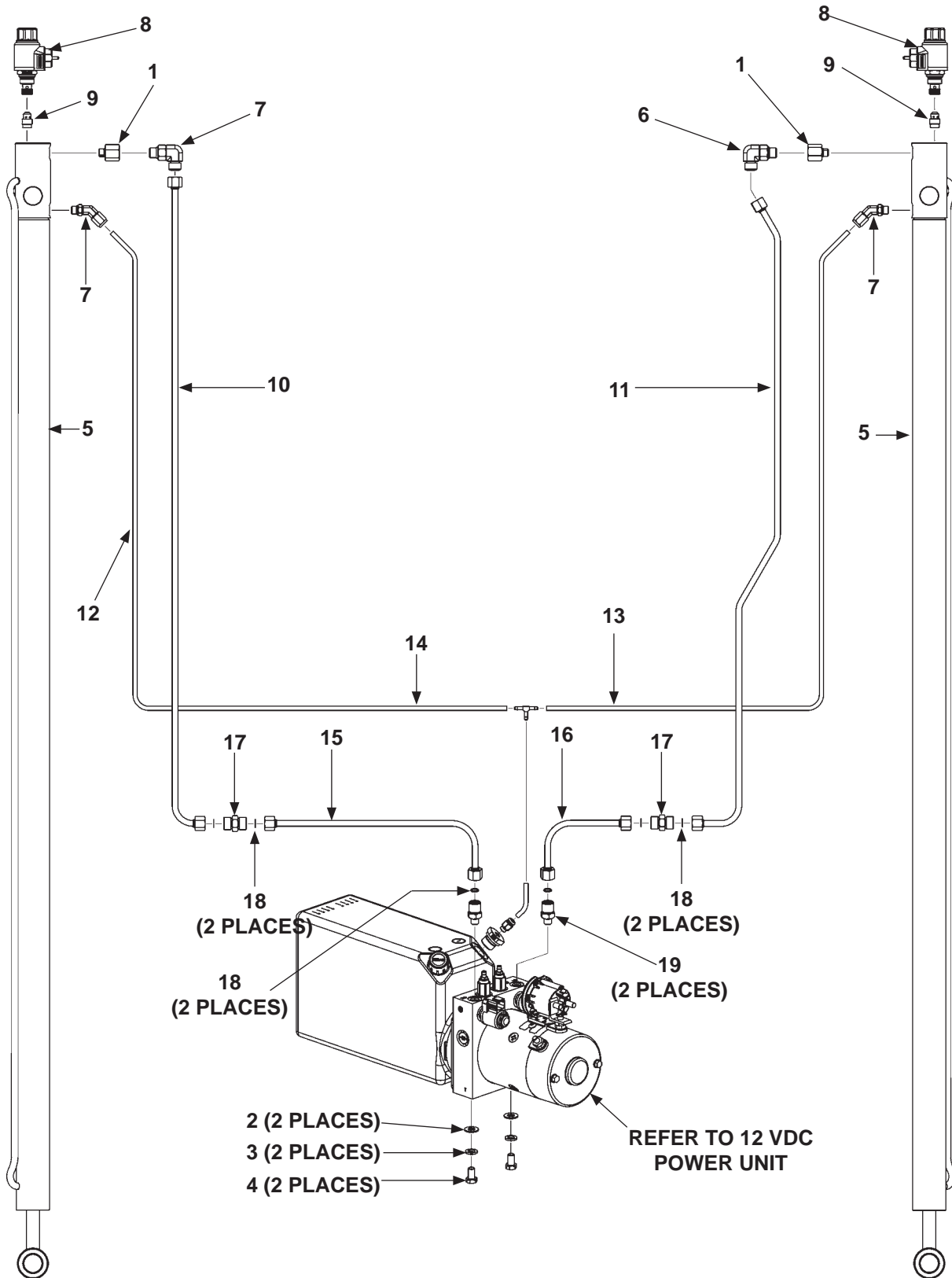


ITEM	QTY.	PART NO.	DESCRIPTION
1	1	285389-01	ALUMINUM FLIPOVER WELDMENT, 83-7/8" X 30" (24" + 6")
		285389-02	ALUMINUM FLIPOVER WELDMENT, 89-7/8" X 30" (24" + 6")
		285389-03	ALUMINUM FLIPOVER WELDMENT, 95-7/8" X 30" (24" + 6")
		285389-04	ALUMINUM FLIPOVER WELDMENT, 83-7/8" X 24" (18" + 6")
		285389-05	ALUMINUM FLIPOVER WELDMENT, 89-7/8" X 24" (18" + 6")
		285389-06	ALUMINUM FLIPOVER WELDMENT, 95-7/8" X 24" (18" + 6")
		285389-07	ALUMINUM FLIPOVER WELDMENT, 83-7/8" X 36" (30" + 6")
		285389-08	ALUMINUM FLIPOVER WELDMENT, 89-7/8" X 36" (30" + 6")
		285389-09	ALUMINUM FLIPOVER WELDMENT, 95-7/8" X 36" (30" + 6")
2	1	267092-41	LH CART STOP WELDMENT, 38-1/4" LG.
		267092-43	LH CART STOP WELDMENT, 41-1/4" LG.
		267092-45	LH CART STOP WELDMENT, 44-1/4" LG.
3	1	267092-42	RH CART STOP WELDMENT, 38-1/4" LG.
		267092-44	RH CART STOP WELDMENT, 41-1/4" LG.
		267092-46	RH CART STOP WELDMENT, 44-1/4" LG.
4	9	903705-02	BLIND RIVET, DOME, 1/4" I.D. X 5/8"
5	1	267581-02	FLIPOVER CART STOP SPRING, 3/4" X 42" LG.
6	3	267088-01	CART STOP LINK
7	2	267094-03	CART STOP PIN, 5" LG.
8	1	267094-04	CART STOP PIN, 9-3/4" LG.
9	4	904719-03	ROLL PIN, 3/16" I.D. X 9/16" LG.
10	2	905314-05	BUMPER CYLINDER
11	2	903409-07	FLAT WASHER 1/4" I.D. X 1-1/4" O.D.

PARTS BREAKDOWN HYDRAULIC COMPONENTS

MAXON

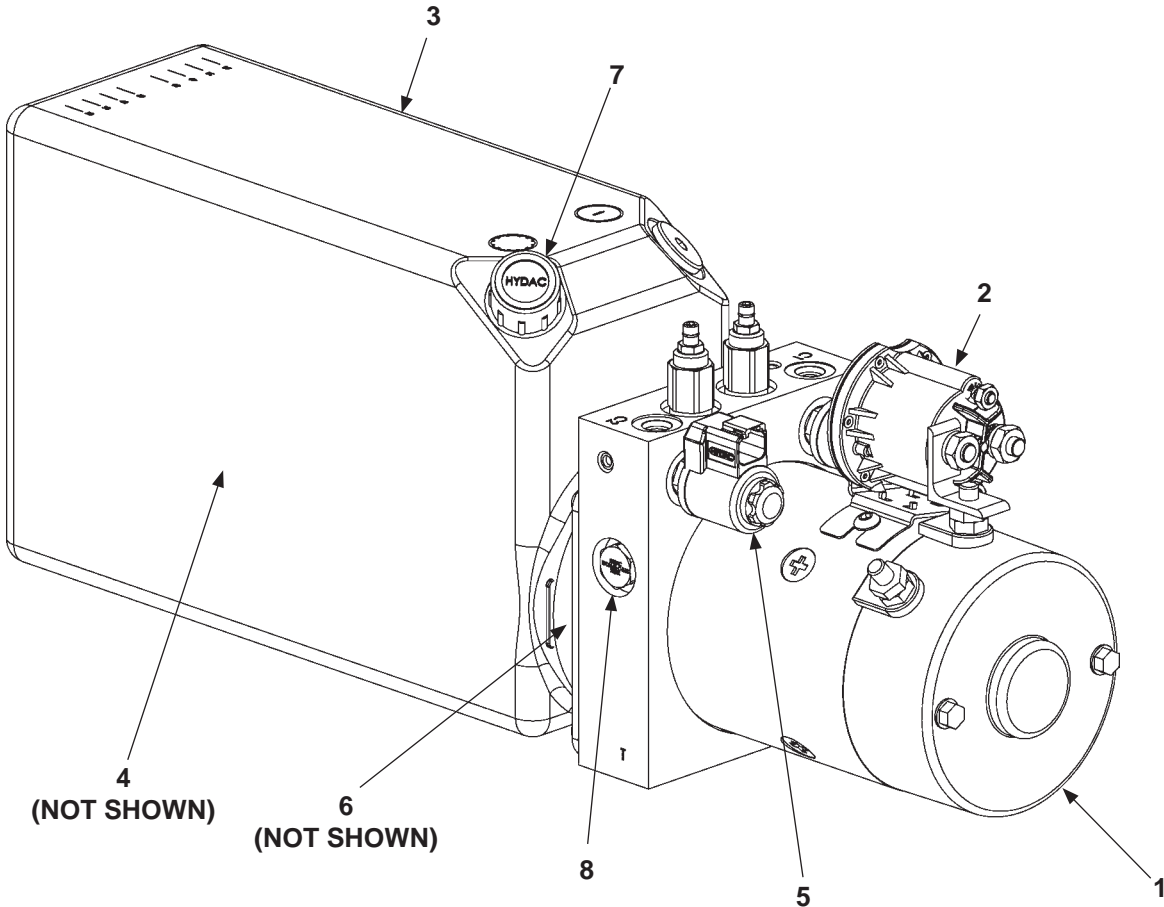
11921 Slauson Ave. Santa Fe Springs, CA. 90670 (800) 227-4116 FAX (888) 771-7713



ITEM	QTY.	PART NO.	DESCRIPTION
1	2	906761-01	CONNECTOR, #4M - #6F, O-RING
2	2	903409-02	FLAT WASHER, 11/32"
3	2	902019-4	LOCK WASHER, 5/16"
4	2	901602-04	HEX BOLT, 5/16"-18 X 3/4", 18-8
5	2	285242-01	HYD CYLINDER, 1-3/8" DIA. X 53-1/8" STROKE
6	2	906704-02	ELBOW, NPSC, SAE #6 FACE SEAL, O-RING
7	2	906839-01	ELBOW, 45 DEGREE STR, O-RING/FLARELESS
8	2	IS 5-30036	12V LOGIC VALVE
9	2	906717-02	FLOW CONTROL VALVE, 1.5 GPM
10	1	284472-01	LH COLUMN FACE SEAL TUBE ASSEMBLY, 3/8" O.D.
11	1	285405-01	RH COLUMN FACE SEAL TUBE ASSEMBLY, 3/8" O.D.
12	1	224370-18	PLASTIC HOSE, 1/4" X 95" LG.
13	1	224370-04	PLASTIC HOSE, 1/4" X 120" LG.
14	1	906749-01	UNION TEE, 1/4" TUBE O.D.
15	1	284470-02	LH HYDRAULIC LINE (FACE SEAL), 53-7/16" LG.
16	1	285392-03	RH FACE SEAL TUBE ASSEMBLY, 32-7/16" LG.
17	2	905175	UNION FACE SEAL, #6 M-M
18	6	906712-02	O-RING, #6
19	2	906759-01	CONNECTOR, #6 FS, #4 O-RING, M-M

PARTS BREAKDOWN

12 VDC POWER UNIT



MAXON®

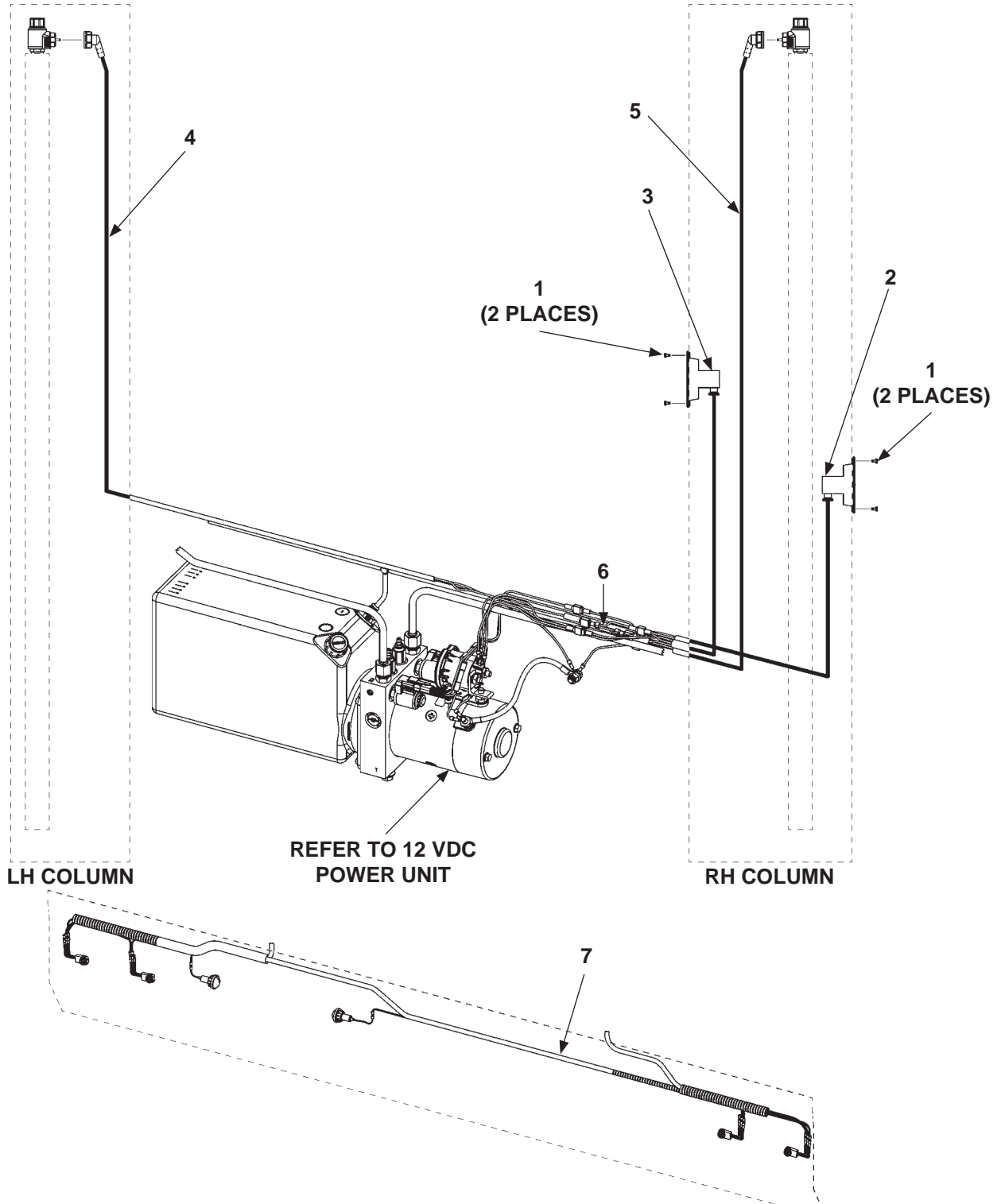
11921 Slauson Ave. Santa Fe Springs, CA. 90670 (800) 227-4116 FAX (888) 771-7713

ITEM	QTY.	PART NO.	DESCRIPTION
REF	1	285295-01	12 VDC POWER UNIT (GD)
1	1	285295-10	12 VDC MOTOR
2	1	284080-01	12 VDC STARTER SOLENOID SWITCH
3	1	284080-01	RESERVOIR B05
4	1	285295-13	SUCTION OIL STRAINER (NOT SHOWN)
5	2	285295-14	RELIEF VALVE
6	1	285295-11	DUAL PUMP (NOT SHOWN)
7	1	285295-16	BREATHER FILLER CAP
8	2	285295-15	SHUTTLE VALVE

PARTS BREAKDOWN ELECTRICAL COMPONENTS

MAXON[®]

11921 Slauson Ave. Santa Fe Springs, CA. 90670 (800) 227-4116 FAX (888) 771-7713



ITEM	QTY.	PART NO.	DESCRIPTION
1	4	900766-01	SELF TAPPING SCREW, #10-24" X 3/8" LG.
2	1	283725-01	SWITCH & CABLE ASSEMBLY
3	1	283725-03	SWITCH & CABLE ASSEMBLY
4	1	283554-01	CONNECTOR ASSEMBLY, 132" LG.
5	1	283554-02	CONNECTOR ASSEMBLY, 90" LG.
6	1	285407-01	WIRE ASSEMBLY 16 GA BLACK
7	1	285377-01	HARNESS ASSEMBLY, STOP AND TAIL LIGHTS

ATTACH DECALS

MAXON[®]

11921 Slauson Ave. Santa Fe Springs, CA. 90670 (800) 227-4116 FAX (888) 771-7713

THE MAXIMUM CAPACITY OF THIS LIFT IS
3300 LB [1500 KG]
 WHEN THE LOAD IS CENTERED ON THE LOAD CARRYING PLATFORM
P/N 220388-02

DMD-33 ONLY
CAPACITY DECAL
P/N 220388-02

THE MAXIMUM CAPACITY OF THIS LIFT IS
2200 LB [1000 KG]
 WHEN THE LOAD IS CENTERED ON THE LOAD CARRYING PLATFORM
P/N 220388-03

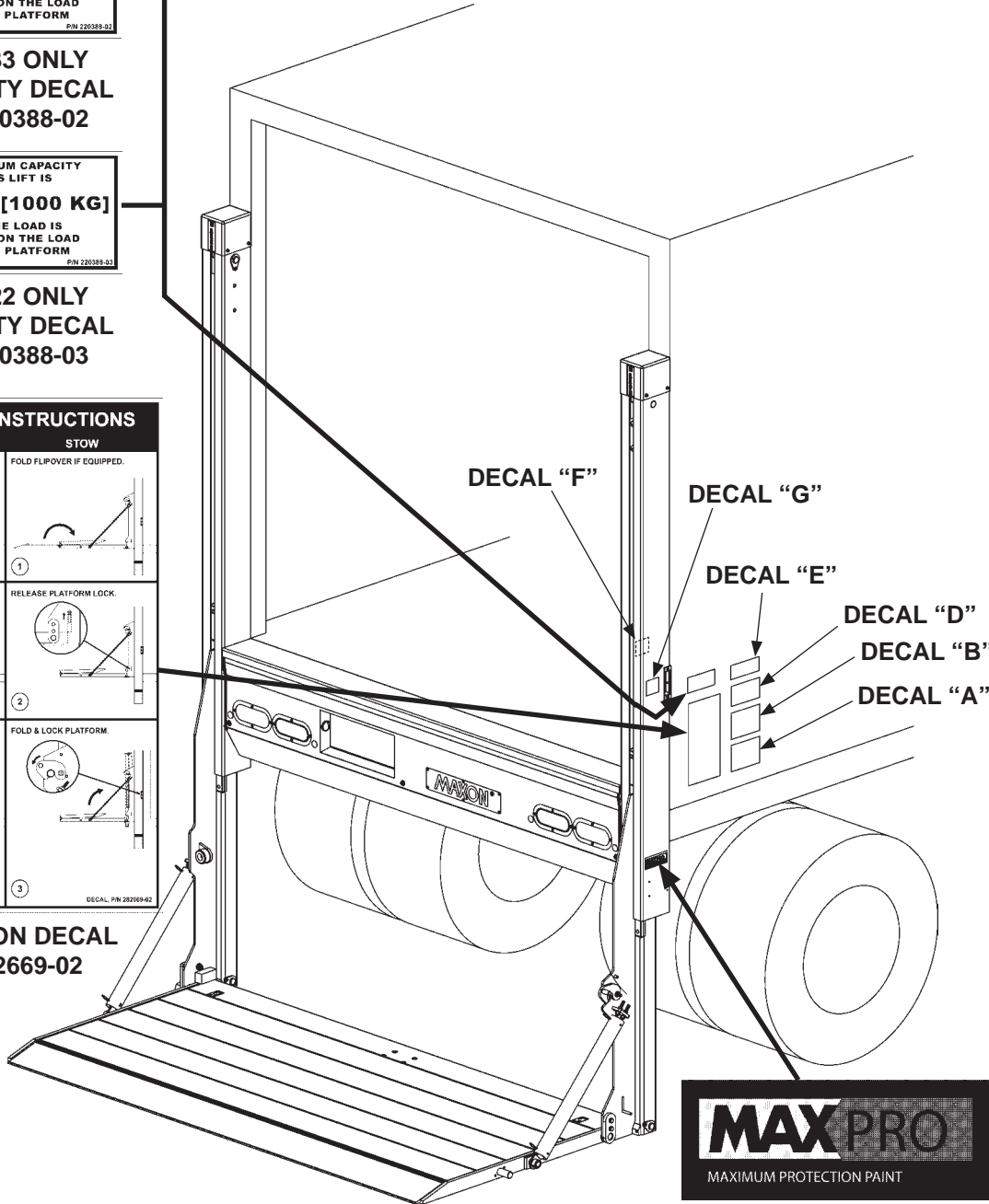
DMD-22 ONLY
CAPACITY DECAL
P/N 220388-03

OPERATING INSTRUCTIONS

OPERATE	STOW
<p>UNLOCK & UNSTOW PLATFORM.</p> <p>1</p>	<p>FOLD FLIPOVER IF EQUIPPED.</p> <p>1</p>
<p>UNFOLD FLIPOVER IF EQUIPPED.</p> <p>2</p>	<p>RELEASE PLATFORM LOCK.</p> <p>2</p>
<p>RAISE / LOWER PLATFORM.</p> <p>3</p>	<p>FOLD & LOCK PLATFORM.</p> <p>3</p>

DECAL, P/N 282669-02

OPERATION DECAL
P/N 282669-02



PAINT DECAL
(2 PLACES)
P/N 267338-01

FIG. 78-1

SAFETY INSTRUCTIONS

Read all decals and operation manual before operating liftgate.

1. Do not use liftgate unless you have been properly instructed and have read, and are familiar with, the operating instructions.
2. Be certain vehicle is properly and securely braked before using the liftgate.
3. Always inspect this liftgate for maintenance or damage before using it. Do not use liftgate if it shows any sign of damage or improper maintenance.
4. Do not overload
5. Make certain the area in which the platform will open and close is clear before opening or closing the platform.
6. Make certain platform area, including the area in which loads may fall from platform, is clear before and at all times during operation of liftgate.
7. This liftgate is intended for loading and unloading of cargo only. Do not use this liftgate for anything but its intended use.

A

WARNING

Read this information carefully.

- Improper operation of this Liftgate can result in serious personal injury. If you do not have a copy of the operating instructions, please obtain them from your employer, distributor, or lessor before you attempt to operate Liftgate.
- If there are signs of improper maintenance, damage to vital parts, or slippery platform surface, do not use the Liftgate until these problems have been corrected.
- If you are using a pallet jack, be sure it can be maneuvered safely.
- Do not operate a forklift on the platform.
- Do not allow any part of yours or your helper's body to be placed under, within, or around any portion of the moving Liftgate, or its mechanisms, or in a position that would trap them between the platform and the ground or truck when the Liftgate is operated.
- If a helper is riding the platform with you, make sure you are both doing so safely and that you are not in danger of coming in contact with any moving or potentially moving obstacles.
- **USE GOOD COMMON SENSE.**
- If load appears to be unsafe, do not lift or lower it.

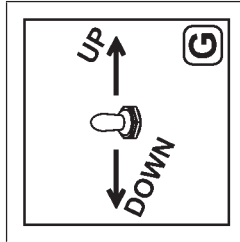
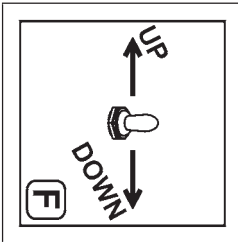
For a free copy of other manuals that pertain to this model Liftgate, please visit our website at www.maxonlift.com or call Customer Service at (800) 227-4116.

B

CAUTION

Always stand clear of platform area.

E



WARNING

Liftgate hazards can result in crushing or falling.

Keep hands and feet clear of pinch points.

If riding liftgate, make sure load is stable and footing is solid.

D



Read and understand all instructions and WARNINGS before use.

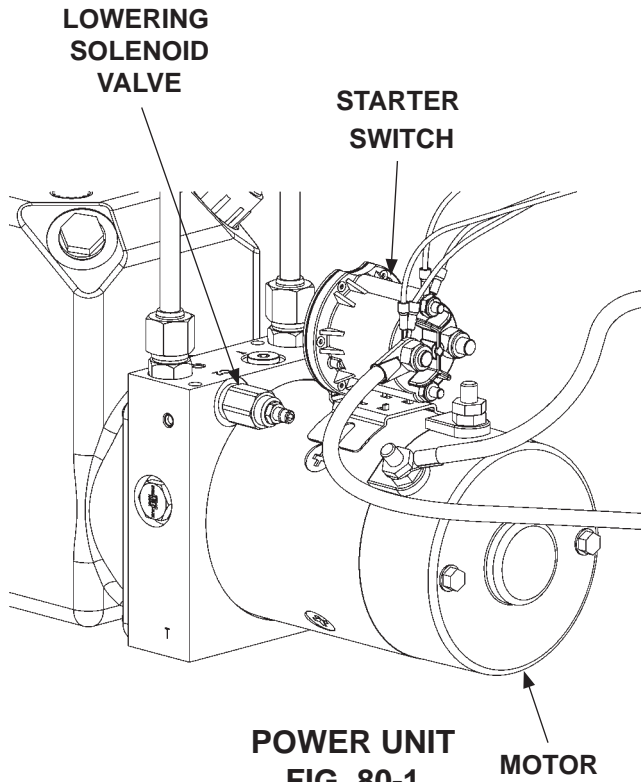
DECAL SHEET
P/N 284216-01
FIG. 79-1

SYSTEM DIAGRAMS

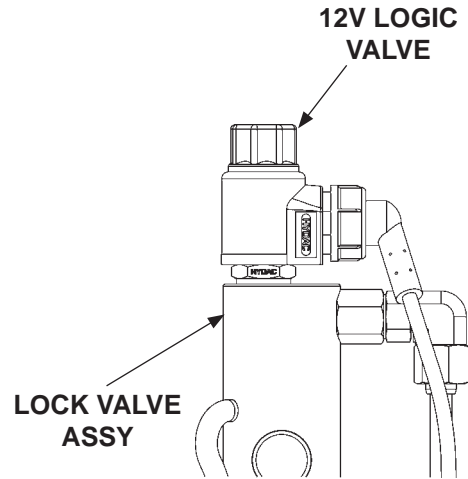
PUMP & MOTOR SOLENOID OPERATION

MAXON[®]

11921 Slauson Ave. Santa Fe Springs, CA. 90670 (800) 227-4116 FAX (888) 771-7713



POWER UNIT
FIG. 80-1



HYDRAULIC LOCK VALVE
(LH COLUMN CUT-AWAY SHOWING
TOP OF LH CYLINDER)
FIG. 80-2

NOTE: Hydraulic lock valves located on LH and RH cylinders.

POWER UNIT MOTOR & SOLENOID OPERATION				
LIFTGATE FUNCTION	PORT	SOLENOID OPERATION (✓ MEANS ENERGIZED)		
		MOTOR	LOWERING SOLENOID VALVE	LOCK VALVE
RAISE	P	✓	-	✓
LOWER	T	-	✓	✓
REFER TO VALVES SHOWN ON HYDRAULIC SCHEMATIC				

TABLE 80-1

HYDRAULIC SCHEMATIC

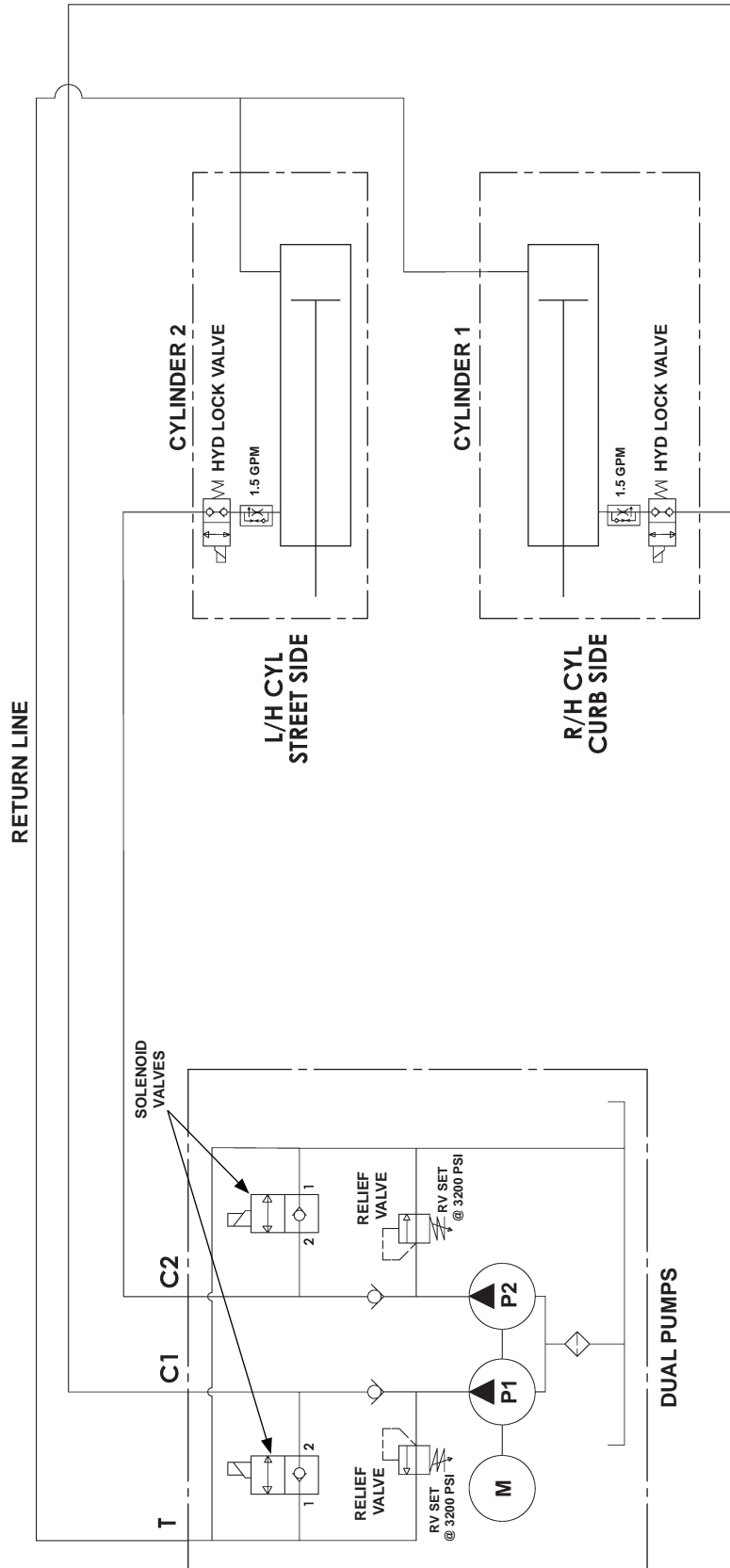


FIG. 81-1

THIS PAGE INTENTIONALLY LEFT BLANK

