

M-91-18
REV. 2
SEPT. 1996

MAINTENANCE MANUAL

RAILGATE LIFT GATE SERIES

RCM-1250 C
RCM-1250 C AB
RCM-1600
RCM-1600 C AB

MAXON[®]
LIFT CORP.

11921 Slauson Avenue
Santa Fe Springs, CA 90607
(800) 227-4116



11921 Slauson Ave.
Santa Fe Springs, CA. 90670

CUSTOMER SERVICE:

(562) 464-0099

(800) 227-4116

FAX: (888) 771-7713

TECHNICAL SERVICE:

(800) 8-MAXTEK (862-9835)

NOTE: Check with Customer Service Department for updated versions of Manuals on an annual basis.

WARRANTY POLICY & PROCEDURE

NEW LIFTGATE WARRANTY

Term of Warranty: 2 Years from Date of In-Service

Type of Warranty: Full Parts and Labor

MAXON agrees to replace any components which are found to be defective during the first 2 years of service, and will reimburse for labor based on MAXON's Liftgate Warranty Flat Rate Labor Schedule.

All claims for warranty must be received within 30 Days of the repair date, and include the following information:

1. Liftgate Model Number
2. Liftgate Serial Number
3. Description of Problem
4. Corrective Action Taken, and Date of Repair.
5. Parts used for Repair, Including MAXON Part Number(s).
6. MAXON R.G.A. # and/or Authorization # if applicable (see below).
7. Person contacted at MAXON if applicable.

PURCHASE PART WARRANTY

Term of Warranty: 1 Year from Date of Purchase Type of Warranty: Part Replacement and Replacement Labor

MAXON will guarantee all returned genuine replacement parts upon receipt, and inspection of parts and invoice. All Warranty repairs must be performed by an authorized MAXON warranty station.

For major repairs, MAXON's Warranty Department must be notified, and an "Authorization Number" received. Major repairs would generally be considered repairs made to the structural assembly of the liftgate and/or repairs not outlined in the MAXON Liftgate Warranty Flat Rate Schedule.

Major components (i.e. hydraulic pumps, cylinders, valves, or failed structural parts) must be returned, freight pre-paid, prior to the claim being processed. To ensure timely processing of these warranty claims, an R.G.A. (Returned Goods Authorization) number must be obtained from MAXON's Warranty Department prior to the return of any defective part. Defective Parts must be returned within 60 days of the claim date for consideration to:

**Warranty Department, MAXON Lift Corp.
5920 Alameda St., Huntington Park, CA. 90255**

MAXON's warranty policy does not include the reimbursement for travel time; towing; vehicle rental; service calls; fabrication of parts which are available from MAXON; oil; defects due to misuse or abuse; loss of income due to downtime.

MAXON's Flat Rate Labor Schedule times takes into consideration time required for diagnosis of problem.

Warranty and Technical Information is available by calling MAXON's Customer Service Department.

WARNINGS

1. READ THIS MANUAL AND UNDERSTAND COMPLETELY BEFORE OPERATION OR MAINTAINING THIS UNIT.
2. READ THE RED URGENT WARNING DECAL ON THE SIDE OF THE VEHICLE CLOSE TO THE UNIT BEFORE OPERATING.
3. IF DECAL IS DIRTY CLEAN IT. IF DECAL IS DEFACED OR MISSING REPLACE IT. FREE REPLACEMENTS ARE AVAILABLE FROM MANUFACTURER. SEE INFORMATION AT END OF WARNINGS LIST.
4. IF YOUR MAINTENANCE PROCEDURE REQUIRES MORE THAN ONE PERSON, CHECK THE LOCATION OF OTHER PERSON BEFORE OPERATING UNIT.
5. STAND TO ONE SIDE OF PLATFORM WHEN LOWERING OR RAISING.
6. KEEP FINGERS, HANDS, ARMS, LEGS AND FEET CLEAR OF MOVING PARTS WHEN OPERATING UNIT.
7. DO NOT STAND IN SUCH A POSITION THAT THE PLATFORM WILL STRIKE YOUR FEET WHEN PLATFORM IS LOWERED TO GROUND.
8. IF DURING YOUR MAINTENANCE PROCEDURE, IT IS NECESSARY TO RIDE THE PLATFORM DURING OPERATION, KEEP YOUR FEET AWAY FROM THE REAR EDGE OF THE PLATFORM, OTHERWISE YOUR FEET COULD BE TRAPPED BETWEEN EDGE OF PLATFORM AND VEHICLE BED.
9. CHECK THAT ALL ROLL PINS ARE SECURE AND NOT BROKEN EVERY WEEK.
10. INSPECT HYDRAULIC HOSE FOR CRACKS AND DETERIORATION EVERY YEAR.
11. WHEN REPLACING PARTS OR SERVICING UNIT DISCONNECT BATTERY.
12. DO NOT ALLOW CHILDREN TO RIDE OR PLAY WITH UNIT.
13. CHECK AROUND LIFT AREA FOR CHILDREN AND OTHER PERSONS BEFORE OPERATING UNIT.
14. IN EVENT OF AN EMERGENCY, WHEN OPERATING UNIT, RELEASE TOGGLE SWITCH AND UNIT WILL STOP IMMEDIATELY.
15. LIFT SHOULD OPERATE SMOOTHLY. THE ONLY NOISE DURING OPERATION SHOULD BE FROM PUMP UNIT DURING RAISE OPERATION. ANY SCRAPING, GRATING OR AUDIBLE SUGGESTIONS OF ROUGH RUNNING SHOULD BE INVESTIGATED. CAUSE SHOULD BE PIN-POINTED AND ELIMINATED BEFORE FURTHER DETERIORATION OCCURS.
16. USE ONLY FACTORY AUTHORIZED PARTS FOR PART REPLACEMENT.
REPLACEMENT PARTS SHOULD BE ORDERED FROM:
MAXON INDUSTRIES PARTS DEPARTMENT
1960 SLAUSON AVE., HUNTINGTON PARK, CA. 90255
PHONE (213) 589-7321

MONTHLY MAINTENANCE CHECK LIST

THE FOLLOWING MAINTENANCE SHOULD BE UNDERTAKEN MONTHLY.

1. GREASE ALL AREAS WHERE ROTATION OCCURS.
2. CHECK THE OIL IN THE PUMP RESERVOIR. THE OIL SHOULD BE DEXTRON II AUTOMATIC TRANSMISSION FLUID. *SEE BELOW FOR COLD WEATHER OPERATION.
3. CHECK HOSE FOR CRACKING AND LEAKS.
4. CHECK THE ELECTRICAL WIRING FOR CONTINUITY AND THE CABLE ENDS FOR CORROSION.
5. VISUALLY CHECK THE COMPLETE UNIT FOR EXCESSIVE WEAR, WORN PARTS OR BROKEN WELDS. FOR PARTS REPLACEMENT SEE THE BREAKDOWN DRAWINGS.
6. CHECK ALL BOLTS FOR TIGHTNESS.
7. CHECK THAT ALL WARNING DECALS ARE IN PLACE AND READABLE.
8. CHECK THAT ALL ROLL PINS ARE PROPERLY INSTALLED. REPLACE IF NECESSARY.

* COLD WEATHER OPERATION

FOR COLD WEATHER OPERATION (BELOW - 10 F) USE MOBIL D.T.E. 13. IF THIS OIL IS NOT AVAILABLE USE AN EQUIVALENT OIL.

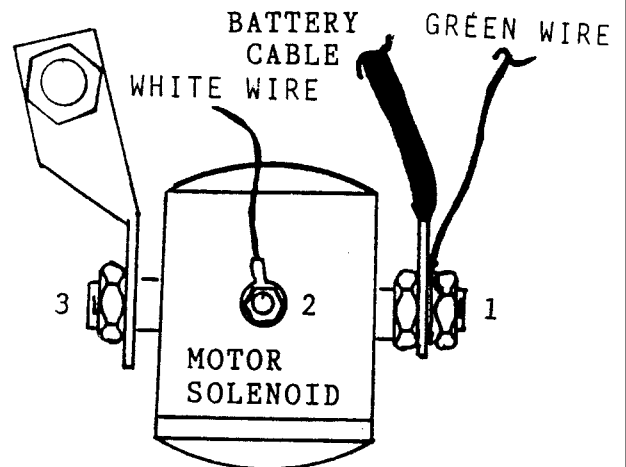
TROUBLE SHOOTING

PLATFORM WILL NOT RAISE.
MOTOR WILL NOT RUN.

1. CHECK BATTERY VOLTAGE
AT TERMINAL #1.
IF VOLTAGE IS LESS
THAN 12 VOLTS
RECHARGE BATTERY.
2. TOUCH A JUMPER
WIRE ON TERMINALS
#1 AND #2.
IF MOTOR RUNS
CHECK SWITCH, SWITCH
CONNECTIONS AND WHITE
WIRE. CORRECT CONNECTIONS
OR REPLACE SWITCH.
3. TOUCH HEAVY JUMPER CABLE
TO TERMINALS #1 AND #3.

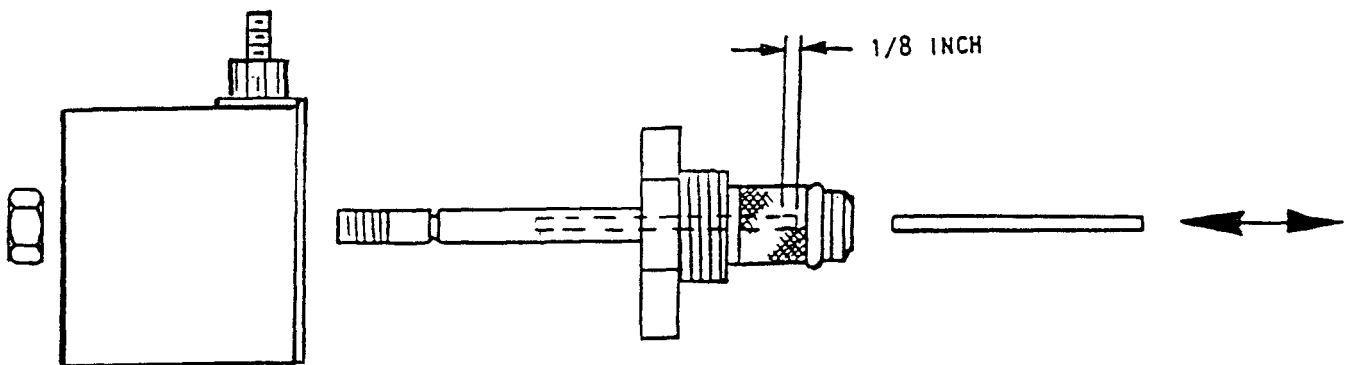
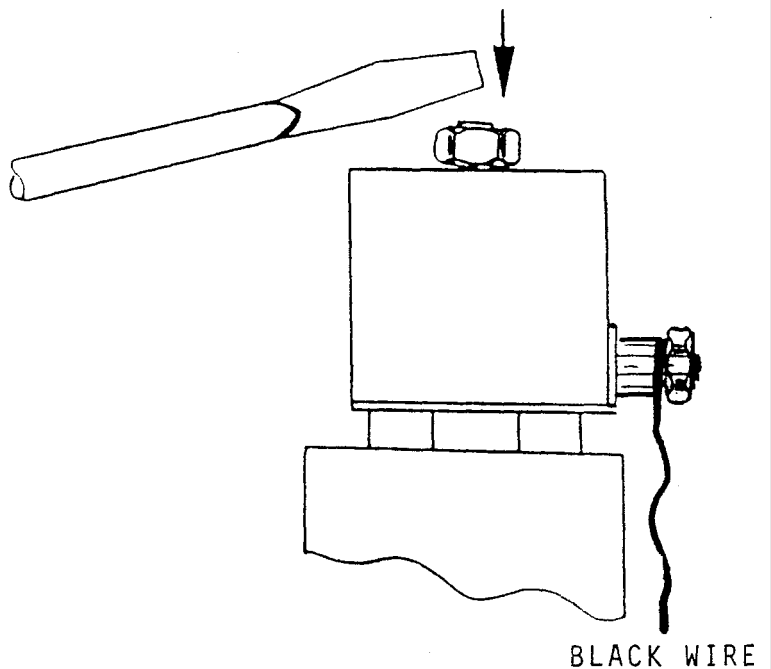
IF MOTOR RUNS, REPLACE
MOTOR SOLENOID.

IF MOTOR DOES NOT RUN
REPAIR OR REPLACE MOTOR.



PLATFORM WILL NOT LOWER

4. AT "DOWN" VALVE ON TOP OF PUMP, CHECK IF COIL HAS 12 VOLTS WHEN "DOWN" SWITCH IS ACTIVATED. IF VOLTAGE IS LOW, RECHARGE BATTERY. IF NO VOLTAGE IS AT COIL, CHECK CONNECTIONS ON BLACK WIRE AND SWITCH. IF SWITCH IS DEFECTIVE, REPLACE SWITCH. CHECK BATTERY, RECHARGE OR REPLACE.
5. TO CHECK "DOWN" VALVE COIL, HOLD SCREW DRIVER 1/8 INCH FROM NUT AT END OF COIL. ACTIVATE SWITCH, IF SCREW DRIVER IS DRAWN TO NUT COIL IS GOOD -- IF NOT, COIL MUST BE REPLACED.
6. THE SMALL PLUNGER INSIDE THE VALVE MAY BE STUCK. REMOVE COIL AND "DOWN" VALVE, INSERT A SMALL ROD INSIDE THE VALVE. PLUNGER SHOULD MOVE 1/8 INCH. IF PLUNGER IS STUCK, WASH IN SOLVENT. IF PLUNGER REMAINS STUCK, REPLACE VALVE.

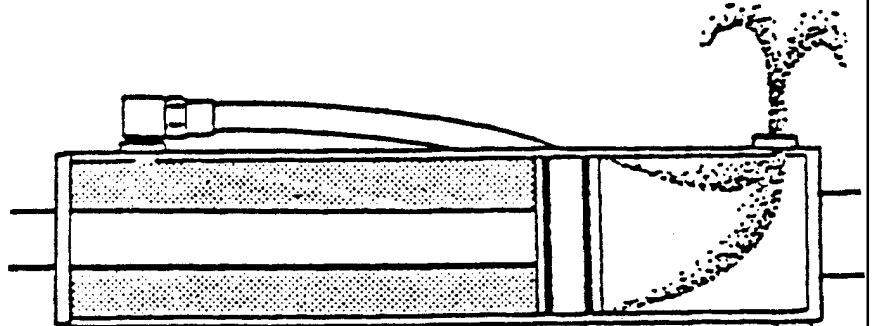


PLATFORM RAISES BUT LEAKS DOWN

7. CHECK "DOWN" VALVE AS NOTED IN PARAGRAPH 6.

8. CHECK HYDRAULIC CYLINDER.

WITH PLATFORM ON GROUND, REMOVE BREATHER PLUG FROM BUTT END OF CYLINDER. OPERATE CONTROL SWITCH TO RAISE PLATFORM. AS PLATFORM RAISES, IF OIL SPRAYS OR SPURTS FROM CYLINDER PORT. THIS INDICATES PISTON SEALS ARE WORN.



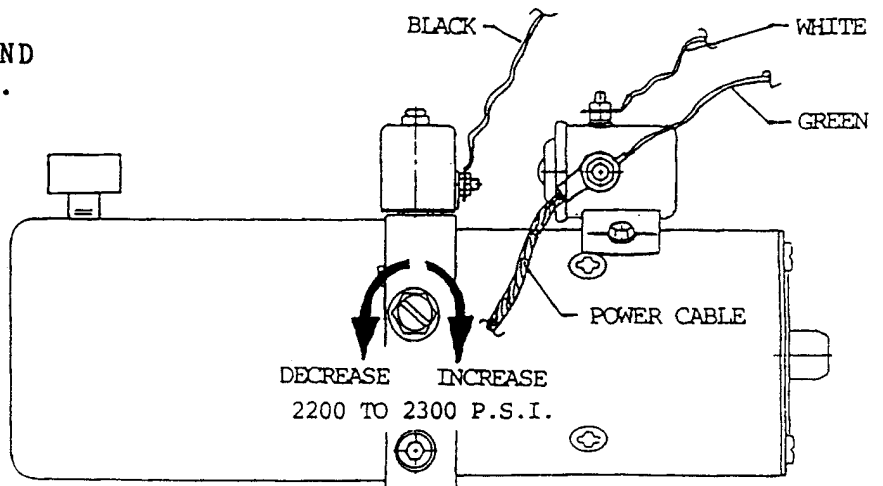
SEAL KITS ARE AVAILABLE. SEE BREAKDOWN DRAWING.

LIFT GATE WILL NOT PICK UP RATED CAPACITY.

9. ADJUST RELIEF VALVE ON TOP OF PUMP. WITH PLATFORM ON GROUND, REMOVE HOSE AND INSTALL A PRESSURE GAUGE. ACTIVATE "UP" SWITCH AND TURN RELIEF VALVE CAP CLOCKWISE UNTIL GAUGE SHOWS PSI PRESSURE.

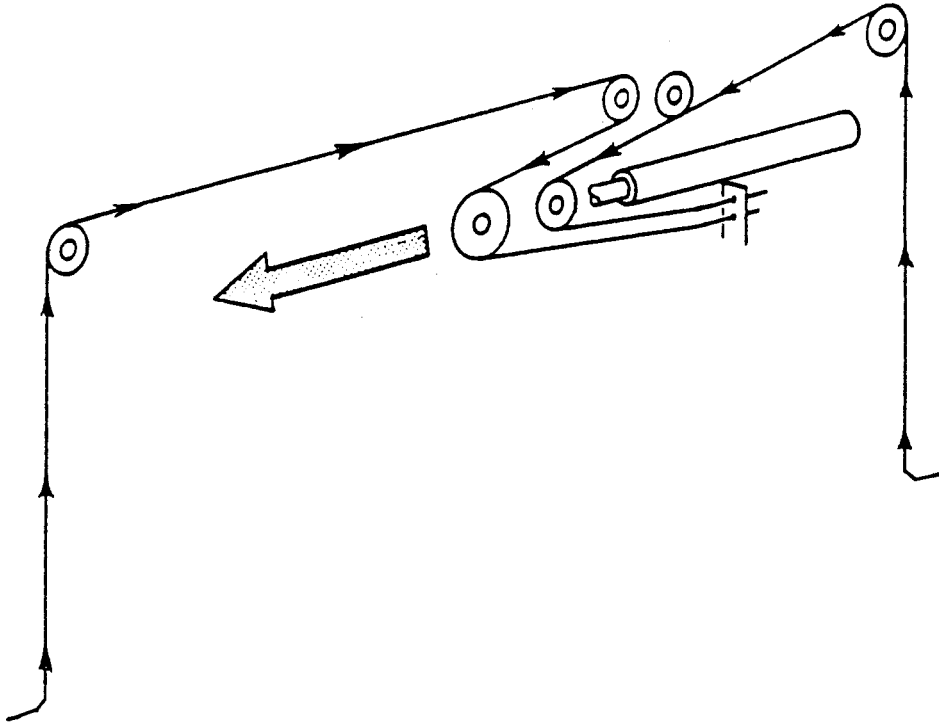
10. CHECK HYDRAULIC CYLINDER PER PARAGRAPH 8.

11. IF PUMP CAN NOT PRODUCE TO PSI AND A MINIMUM OF 12 VOLTS ARE AVAILABLE, PUMP IS WORN AND REQUIRES REPLACEMENTS.



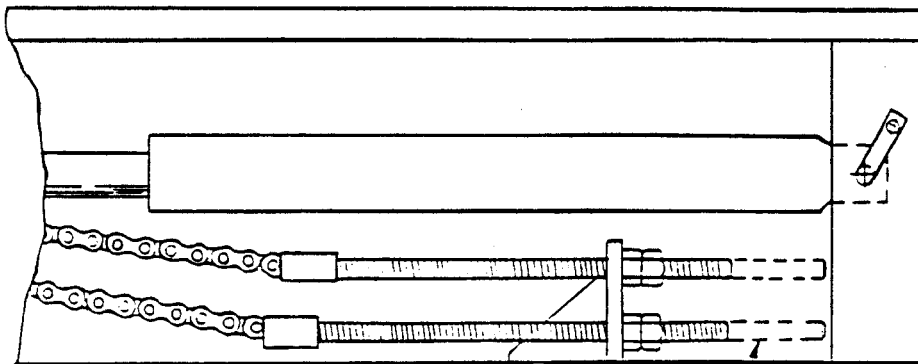
CHAIN ROUTING

As cylinder shaft extends (indicated by large arrow) the chains move in the direction indicated by small arrows. The runners and platform will rise.

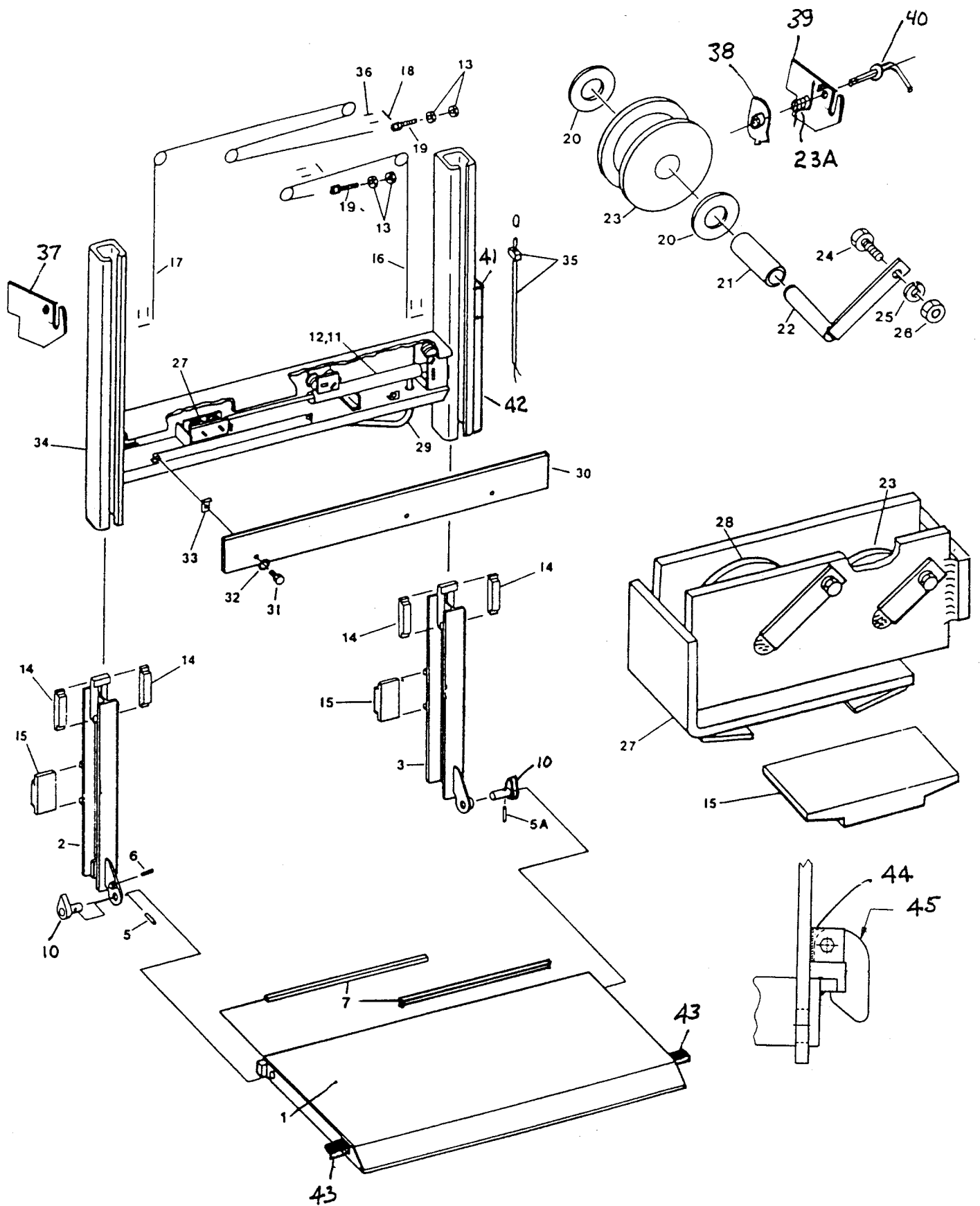


CHAIN ADJUSTMENT - RCM-1250B RCM-16B

AFTER INSTALLING THE ABA UNIT, THE CHAINS HAVE TO BE ADJUSTED. THE ADJUSTING SCREWS ARE LOCATED DIRECTLY BENEATH THE CYLINDER. WHEN ADJUSTING THE CHAINS, THE VEHICLE MUST BE EMPTY (NOT LOADED). LOOSEN LOCK NUTS AND LET THE PLATFORM DOWN ALL THE WAY TO THE GROUND. ADJUST THE SCREWS SO THAT THE CYLINDER WILL BE COMPLETELY RETRACTED, (CLOSED). CUT OFF THE EXTRA LENGTH OF THE SCREWS IF NECESSARY.



CUT THIS END

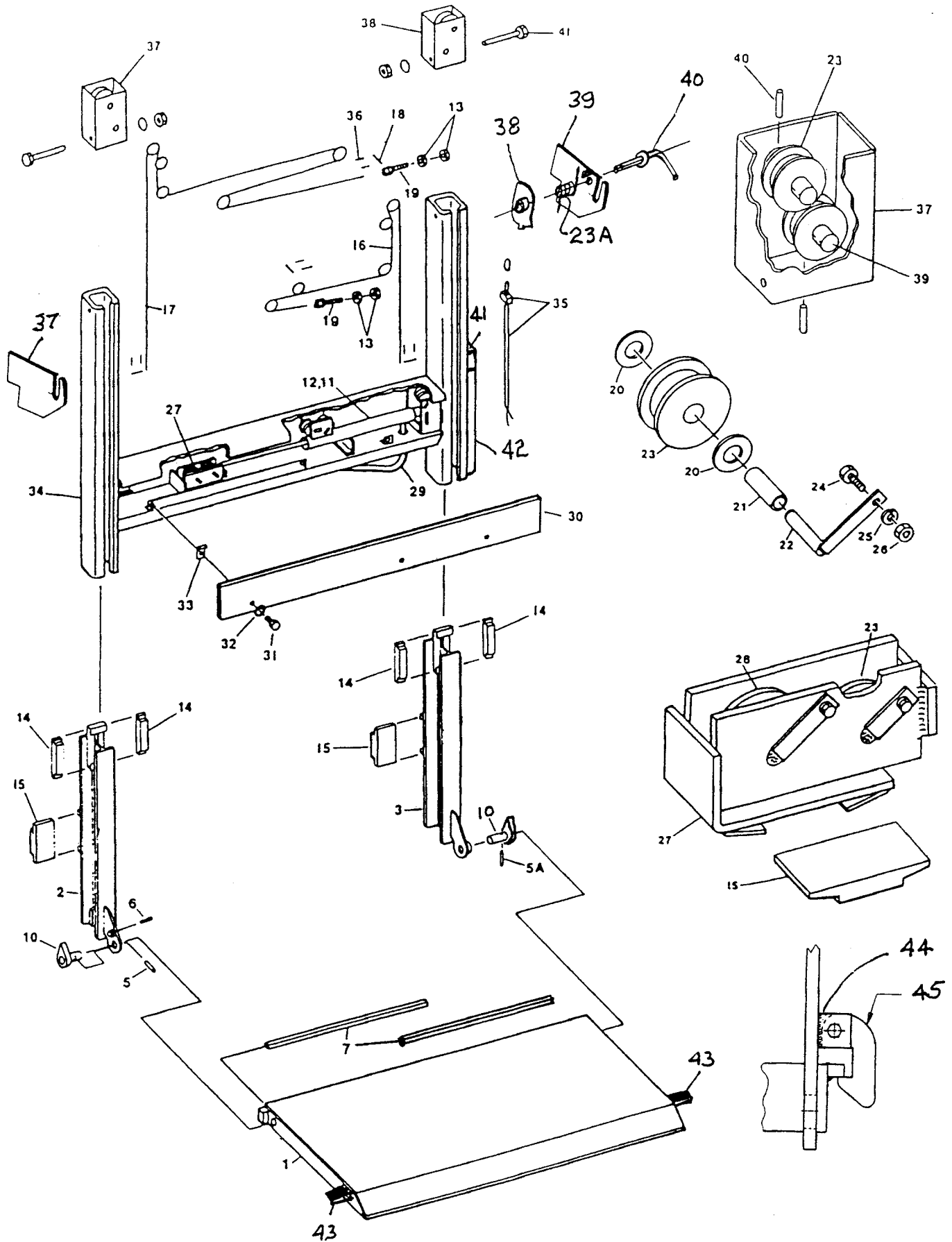


PARTS BREAKDOWN RCM-1250 C

PARTS BREAKDOWN RCM-1250C

NO.	DESCRIPTION	PART NO.	QTY.
1	PLATFORM WELD'T (30 + 6) 96" BODY	252983-02	1
	(30 + 6) 90" BODY	252983-01	
	(30 + 6) 84" BODY	252983-03	
2	RUNNER ASSEMBLY, L.H.	226852-03	1
3	RUNNER ASSEMBLY, R.H.	226852-04	1
4			
5	ROLL PIN, 3/8" X 1-1/2" LONG	221497	1
5A	ROLL PIN, 3/8" X 2" LONG	221416	1
6	HEX SOCKET SET SCREW	224576	1
7	TORSION BAR	252999	2
8			
9			
10	HINGE PIN WELDMENT	224470	2
11	HYDRAULIC CYLINDER, 2" X 28" STROKE	226918	1
12	SEAL KIT, HYDRAULIC CYLINDER	225823	
13	JAM NUT, 1/2-20	030327	4
14	PAD SLIDER	226772	4
15	PAD SLIDER	227350	3
16	LEAF CHAIN, R.H.	226917-01	1
17	LEAF CHAIN, L.H. 96" BODY	226917-02	1
	90" BODY	226917-03	
	84" BODY	226917-04	
18	PIN, LEAF CHAIN	227150-03	4
19	ADJUSTING SCREW	226931-01	2
20	BEARING, THRUST TYPE	224337	12

NO.	DESCRIPTION	PART NO.	QTY.
21	BEARING, PLAIN CYLINDRICAL TYPE	224338	6
22	SHAFT WELDMENT	223670	7
23	SHEAVE ASSEMBLY, 2" DIA.	223672-02	2
23A	SPRING	252460	1
24	HEX BOLT, 1/4-20 X 3/4" LONG	030707	7
25	LOCKWASHER, 1/4" I.D.	030351	7
26	HEX NUT, 1/4-20	030306	7
27	DRIVE CARRIAGE WELDMENT	226849	1
28	SHEAVE ASSEMBLY, 3" DIA.	223672-01	2
29	HOSE, 1/4" X 48" LONG	800234-02	1
30	COVER, CYLINDER, 96" BODY	224508	1
	90" BODY	226847	
	84" BODY	226779	
31	HEX BOLT, 5/16-18 X 5/8" LONG	030014	3
32	LOCKWASHER, 5/16" I.D.	030554	3
33	NUT RETAINER	203877	3
34	STATIONARY COLUMN FRAME WELD'T, 96"	226832-01	1
	90"	226832-02	
	84"	226832-03	
35	ELECTRICAL HARNESS & SWITCH ASS'Y	224670	1
36	COTTER PIN, 1/16" DIA. X 1-1/2" LONG	226855	8
37	BRACKET- STOP L.H.	252461	1
38	LOCKING BRACKET	252467	1
39	BRACKET STOP R.H.	252466	1
40	HANDLE	252473	1
41	BRACKET SWITCH	251711	1
42	CHANNEL	251028	1
43	PLATFORM STOP	252464	2
44	BRACKET	250265	2
45	RETAINER	250266	1

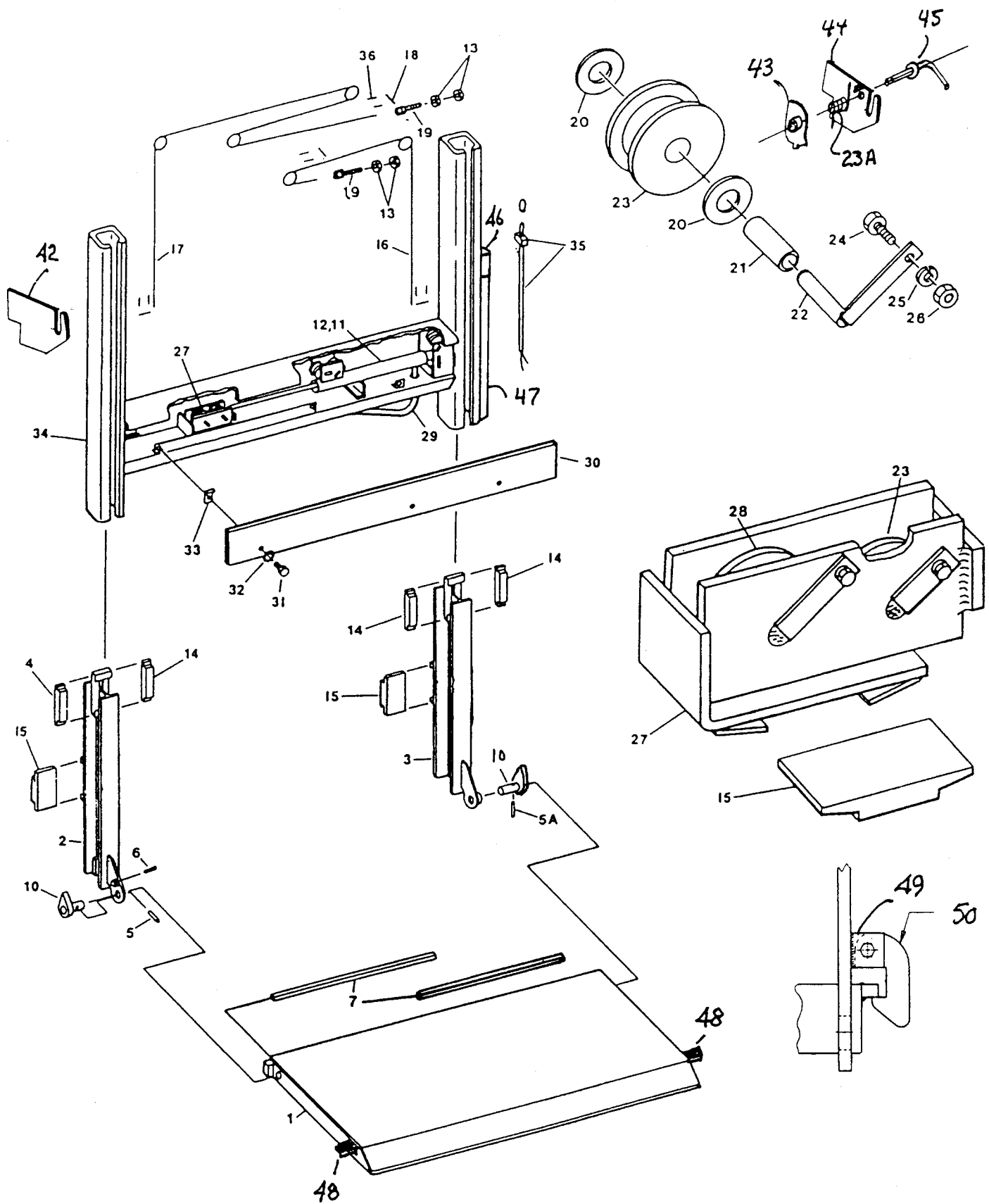


PARTS BREAKDOWN RCM-1250CAB

PARTS BREAKDOWN RCM-16C

NO.	DESCRIPTION	PART NO.	QTY.
1	PLATFORM WELD'T (36 + 6) 96" BODY	252984-02	1
	(36 + 6) 90" BODY	252984-01	
	(36 + 6) 84" BODY	252984-03	
2	RUNNER ASSEMBLY, L.H.	226852-01	1
3	RUNNER ASSEMBLY, R.H.	226852-02	1
4			
5	ROLL PIN, 3/8" X 1-1/2" LONG	221497	1
5A	ROLL PIN, 3/8" X 2" LONG	221416	1
6	HEX SOCKET SET SCREW	224576	1
7	TORSTON BAR	252999	2
8			
9			
10	HINGE PIN WELDMENT	224470	2
11	HYDRAULIC CYLINDER, 2" X 28" STROKE	226918	1
12	SEAL KIT, HYDRAULIC CYLINDER	225823	
13	JAM NUT, 1/2-20	030327	4
14	PAD SLIDER	226772	4
15	PAD SLIDER	227350	3
16	LEAF CHAIN, R.H.	226916-01	1
17	LEAF CHAIN, L.H. 96" BODY	226916-02	1
	90" BODY	226916-03	
	84" BODY	226916-04	
18	PIN, LEAF CHAIN	226854-03	4
19	ADJUSTING SCREW	226931-01	2
20	BEARING, THRUST TYPE	224337	12

NO.	DESCRIPTION	PART NO.	QTY.
21	BEARING, PLAIN CYLINDRICAL TYPE	224338	6
22	SHAFT WELDMENT	223670	7
23	SHEAVE ASSEMBLY, 2" DIA.	223672-02	2
23A	SPRING	252460	1
24	HEX BOLT, 1/4-20 X 3/4" LONG	030707	7
25	LOCKWASHER, 1/4" I.D.	030351	7
26	HEX NUT, 1/4-20	030306	7
27	DRIVE CARRIAGE WELDMENT	226849	1
28	SHEAVE ASSEMBLY, 3" DIA.	223672-01	2
29	HOSE, 1/4" X 48" LONG	800234-02	1
30	COVER, CYLINDER, 96" BODY	224508	1
	90" BODY	226847	
	84" BODY	226779	
31	HEX BOLT, 5/16-18 X 5/8" LONG	030014	3
32	LOCKWASHER, 5/16" I.D.	030554	3
33	NUT RETAINER	203877	3
34	STATIONARY COLUMN FRAME WELD'T, 96"	226832-01	1
	90"	226832-02	
	84"	226832-03	
35	ELECTRICAL HARNESS & SWITCH ASS'Y	224670	1
36	COTTER PIN, 1/16" DIA. X 1-1/2" LONG	226855	8
37	BRACKET- STOP L.H.	252461	1
38	LOCKING BRACKET	252467	1
39	BRACKET STOP R.H.	252466	1
40	HANDLE	252473	1
41	BRACKET SWITCH	251711	1
42	CHANNEL	251028	1
43	PLATFORM STOP	252464	2
44	BRACKET	250265	2
45	RETAINER	250266	1



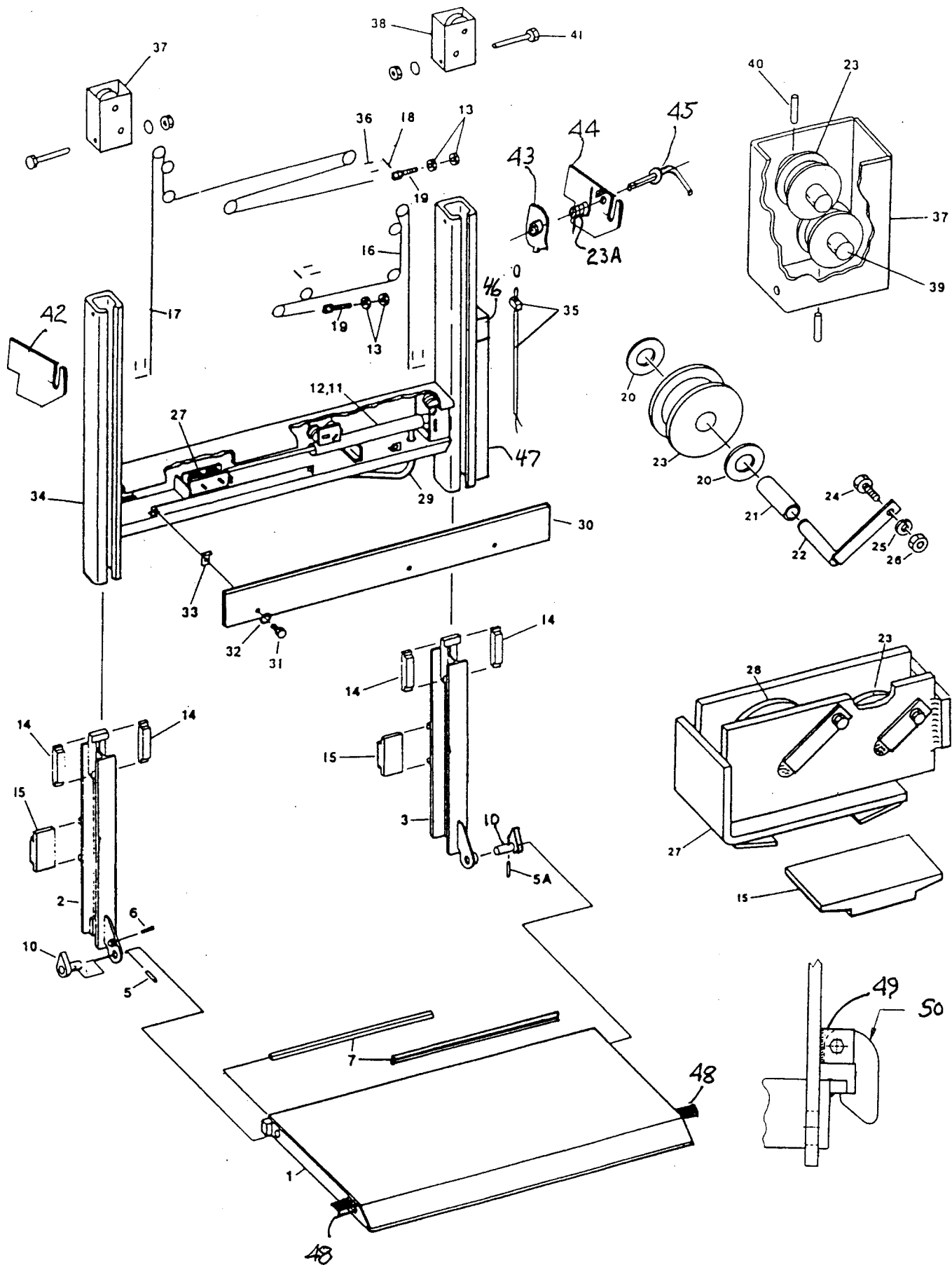
PARTS BREAKDOWN

RCM -16 C

PARTS BREAKDOWN RCM-16CAB

NO.	DESCRIPTION	PART NO.	QTY.
1	PLATFORM WELD'T (36 + 6) 96" BODY	252984-02	1
	(36 + 6) 90" BODY	252984-01	
	(36 + 6) 84" BODY	252984-03	
2	RUNNER ASSEMBLY, L.H.	226663-01	1
3	RUNNER ASSEMBLY, R.H.	226663-02	1
4			1
5	ROLL PIN, 3/8" X 1-1/2" LONG	221497	1
5A	ROLL PIN, 3/8" X 2" LONG	221416	1
6	HEX SOCKET SET SCREW	224576	1
7	TORSTON BAR		
8			
9			
10	HINGE PIN WELDMENT	224470	2
11	HYDRAULIC CYLINDER, 2" X 28" STROKE	225823	1
12	SEAL KIT, HYDRAULIC CYLINDER	225823	
13	JAM NUT, 1/2-20	030327	4
14	PAD SLIDER	226772	4
15	PAD SLIDER	227350	3
16	LEAF CHAIN, R.H.	226916-05	1
17	LEAF CHAIN, L.H. 96" BODY	226916-06	1
	90" BODY	226916-07	
	84" BODY	226916-08	
18	PIN, LEAF CHAIN	226854-03	4
19	ADJUSTING SCREW	226931-02	2
20	BEARING, THRUST TYPE	224337	12
47	CHANNEL	251028	1
48	PLATFORM STOP	252464	2
49	BRACKET	250265	2
50	RETAINER	250266	1

NO.	DESCRIPTION	PART NO.	QTY.
21	BEARING, PLAIN CYLINDRICAL TYPE	224338	6
22	SHAFT WELDMENT	223670	7
23	SHEAVE ASSEMBLY, 2" DIA.	223672-02	6
23A	SPRING	252460	1
24	HEX BOLT, 1/4-20 X 3/4" LONG	030707	7
25	LOCKWASHER, 1/4" I.D.	030351	9
26	HEX NUT, 1/4-20	030306	9
27	DRIVE CARRIAGE WELDMENT	226849	1
28	SHEAVE ASSEMBLY, 3" DIA.	223672-01	2
29	HOSE, 1/4" X 48" LONG	800234-02	1
30	COVER, CYLINDER, 96" BODY	224508	1
	90" BODY	226847	
	84" BODY	226779	
31	HEX BOLT, 5/16-18 X 5/8" LONG	030014	3
32	LOCKWASHER, 5/16" I.D.	030554	3
33	NUT RETAINER	203877	3
34	STATIONARY COLUMN FRAME WELD'T, 96"	226831-01	1
	90"	226831-02	
	84"	226831-03	
35	ELECTRICAL HARNESS & SWITCH ASS'Y	224670	1
36	COTTER PIN, 1/16" DIA. X 1-1/2" LONG	226855	8
37	UPPER PULLEY SUPPORT WELDMENT, L.H.	225033-01	1
38	UPPER PULLEY SUPPORT WELDMENT, R.H.	225033-02	1
39	UPPER PULLEY SHAFT	224479	4
40	ROLL PIN, 1/4" DIA. X 1-1/2" LONG	030410	4
41	HEX HEAD BOLT, 1/4-20UNC X 5" LONG	225023	2
42	BRACKET- STOP L.H.	252461	1
43	LOCKING BRACKET	252467	1
44	BRACKET STOP R.H.	252466	1
45	HANDLE	252473	1
46	BRACKET SWITCH	251711	1



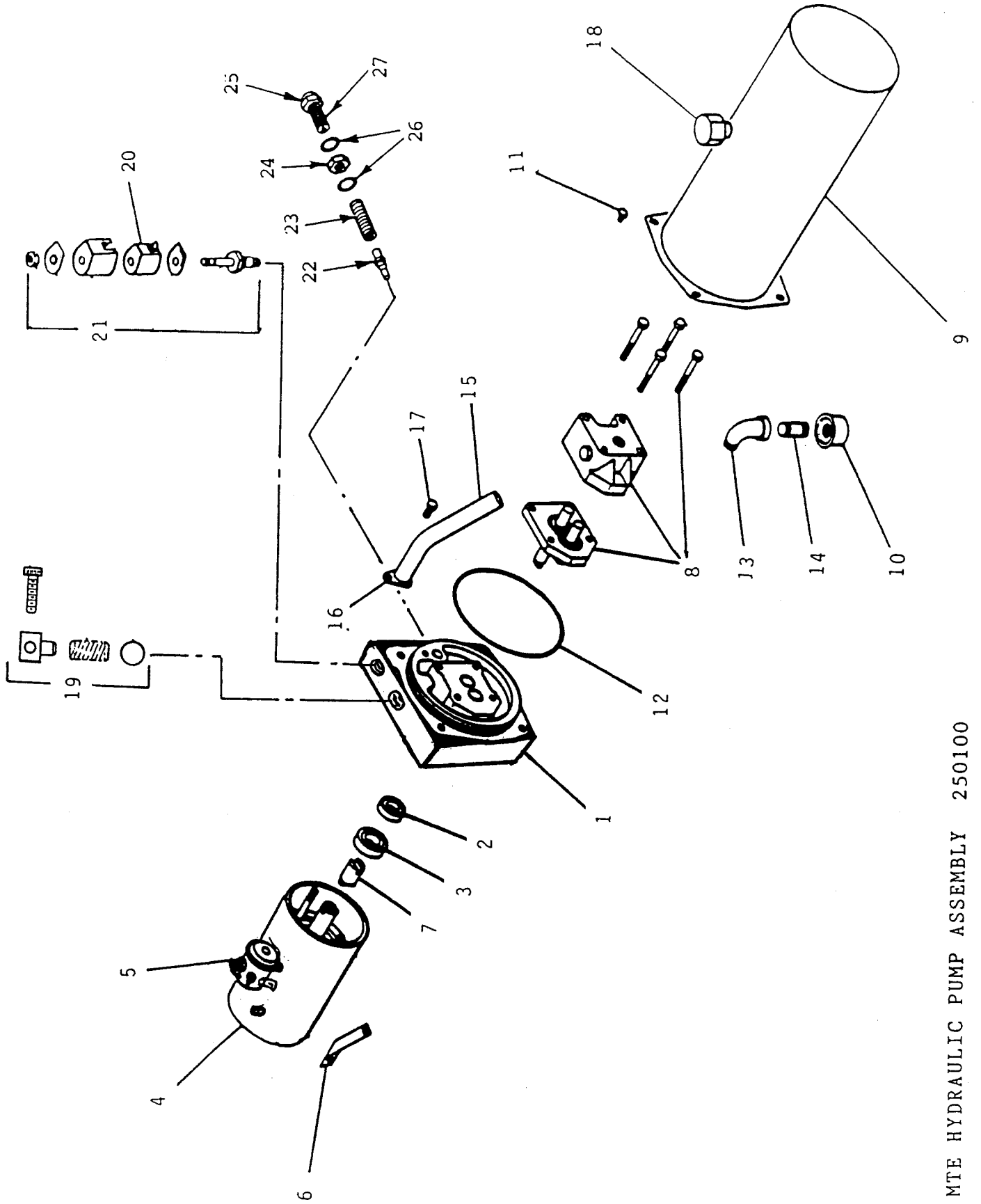
PARTS BREAKDOWN

RCM-16CAB

PARTS BREAKDOWN RCM-1250CAB

NO.	DESCRIPTION	PART NO.	QTY.
1	PLATFORM WELD'T (30 + 6) 96" BODY	252993-02	1
	(30 + 6) 90" BODY	251983-01	
	(30 + 6) 84" BODY	252983-03	
2	RUNNER ASSEMBLY, L.H.	226663-03	1
3	RUNNER ASSEMBLY, R.H.	226663-04	1
4			
5	ROLL PIN, 3/8" X 1-1/2" LONG	221497	1
5A	ROLL PIN, 3/8" X 2" LONG	221416	1
6	HEX SOCKET SET SCREW	224576	1
7	TORSION BAR	252999	2
8			
9			
10	HINGE PIN WELDMENT	224470	2
11	HYDRAULIC CYLINDER, 2" X 28" STROKE	226918	1
12	SEAL KIT, HYDRAULIC CYLINDER	225823	
13	JAM NUT, 1/2-20	030327	4
14	PAD SLIDER	226772	4
15	PAD SLIDER	227350	3
16	LEAF CHAIN, R.H.	226917-05	1
17	LEAF CHAIN, L.H. 96" BODY	226917-06	1
	90" BODY	226917-07	
	84" BODY	226917-08	
18	PIN, LEAF CHAIN	227150-03	4
19	ADJUSTING SCREW	226931-01	2
20	BEARING, THRUST TYPE	224337	12
47	CHANNEL	251028	1
48	PLATFORM STOP	252464	2
49	BRACKET	250265	2
50	RETAINER	250266	1

NO.	DESCRIPTION	PART NO.	QTY.
21	BEARING, PLAIN CYLINDRICAL TYPE	224338	6
22	SHAFT WELDMENT	223670	7
23	SHEAVE ASSEMBLY, 2" DIA.	223672-02	6
23A	SPRING	252460	1
24	HEX BOLT, 1/4-20 X 3/4" LONG	030707	7
25	LOCKWASHER, 1/4" I.D.	030351	9
26	HEX NUT, 1/4-20	030306	9
27	DRIVE CARRIAGE WELDMENT	226849	1
28	SHEAVE ASSEMBLY, 3" DIA.	223672-01	2
29	HOSE, 1/4" X 48" LONG	800234-02	1
30	COVER, CYLINDER, 96" BODY	224508	1
	90" BODY	226847	
	84" BODY	226779	
31	HEX BOLT, 5/16-18 X 5/8" LONG	030014	3
32	LOCKWASHER, 5/16" I.D.	030554	3
33	NUT RETAINER	203877	3
34	STATIONARY COLUMN FRAME WELD'T, 96"	226831-01	1
	90"	226831-02	
	84"	226831-03	
35	ELECTRICAL HARNESS & SWITCH ASS'Y	224670	1
36	COTTER PIN, 1/16" DIA. X 1-1/2" LONG	226855	8
37	UPPER PULLEY SUPPORT WELDMENT, L.H.	225033-01	1
38	UPPER PULLEY SUPPORT WELDMENT, R.H.	225033-02	1
39	UPPER PULLEY SHAFT	224479	4
40	ROLL PIN, 1/4" DIA. X 1-1/2" LONG	030410	4
41	HEX HEAD BOLT, 1/4-20UNC X 5" LONG	225028	2
42	BRACKET- STOP L.H.	252461	1
43	LOCKING BRACKET	252467	1
44	BRACKET STOP R.H.	252466	1
45	HANDLE	252473	1
46	BRACKET SWITCH	251711	1

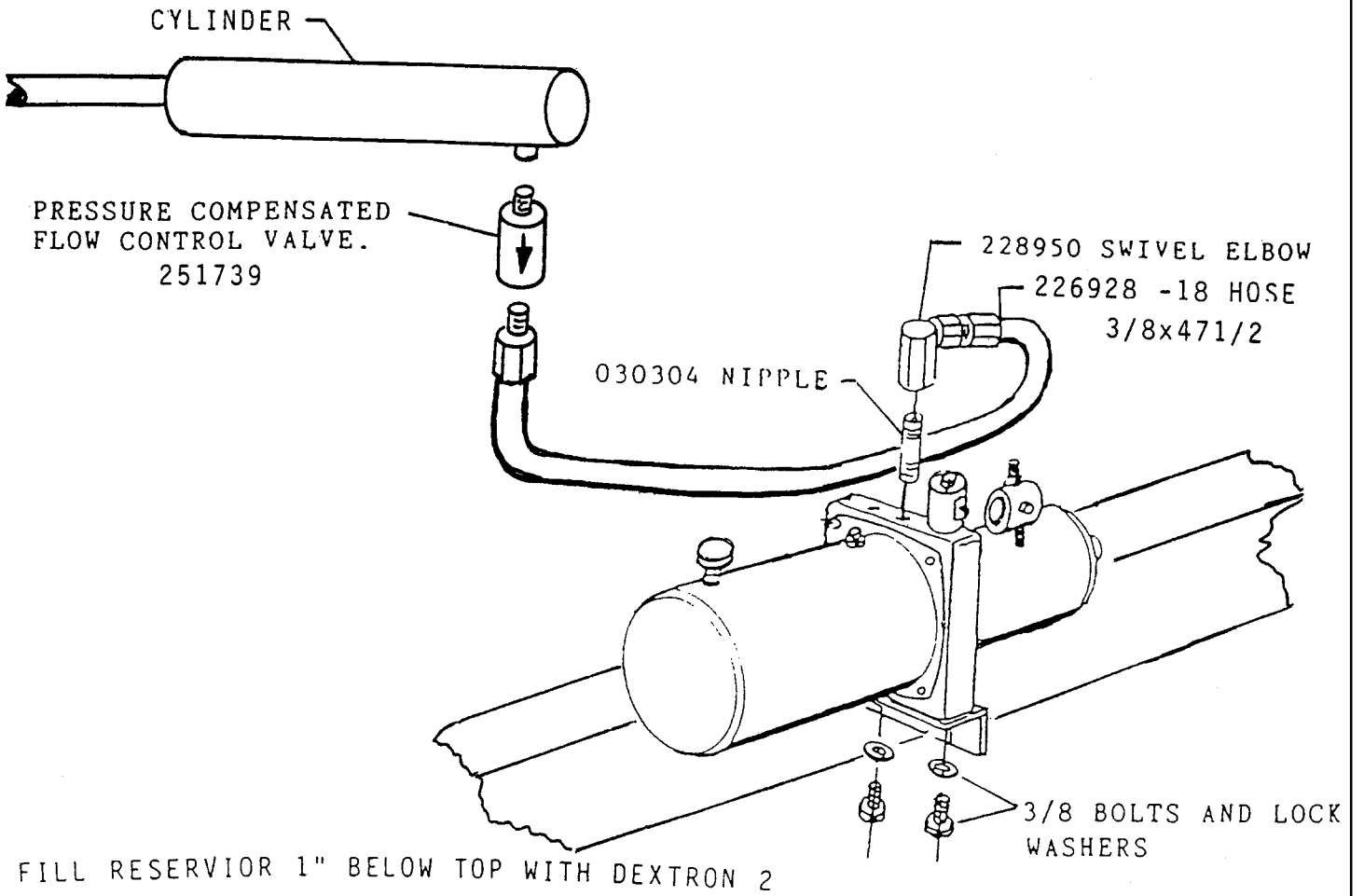


MTE HYDRAULIC PUMP ASSEMBLY 250100

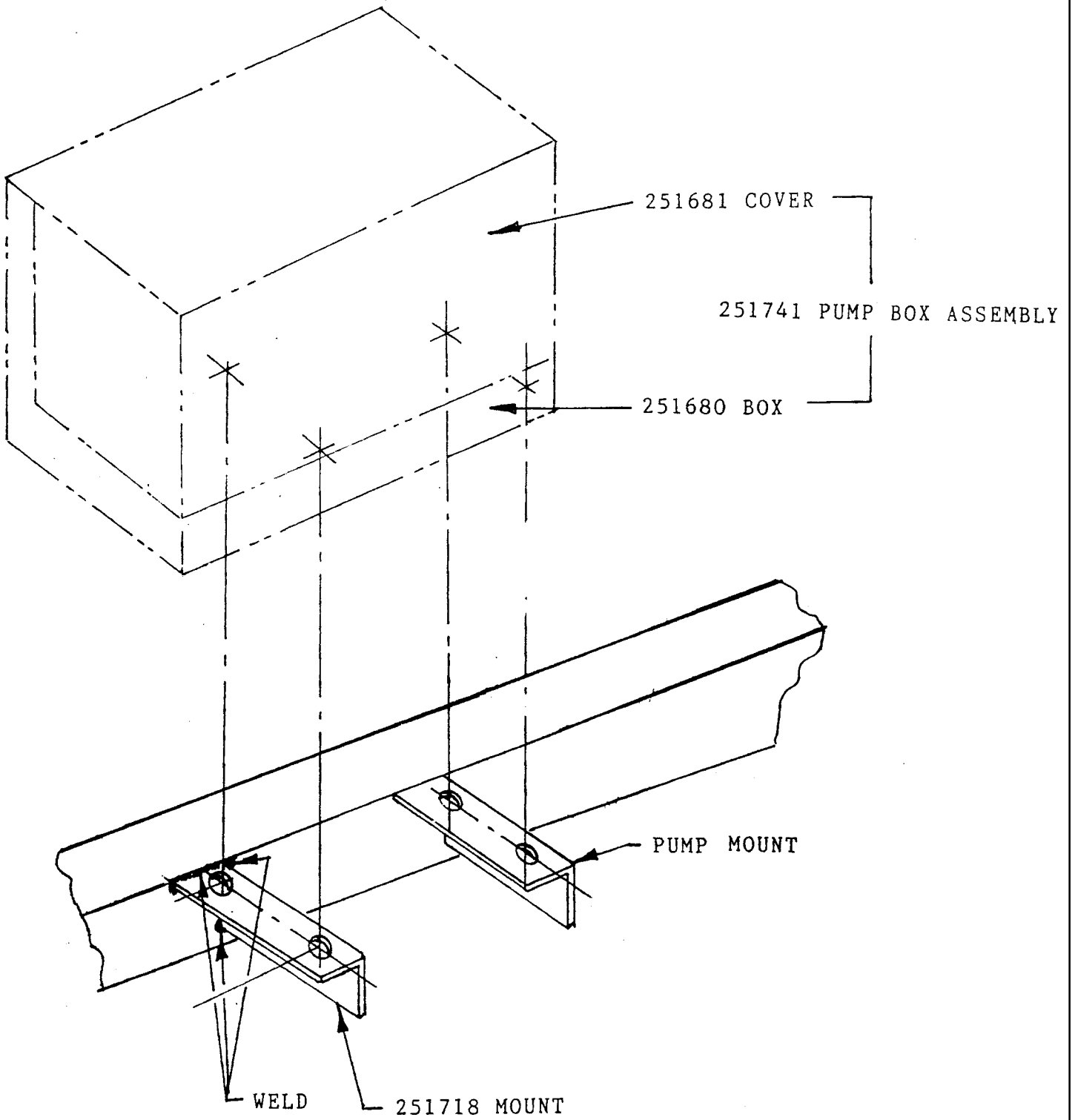
PARTS LIST - MTE HYDRAULIC PUMP ASSEMBLY 250100

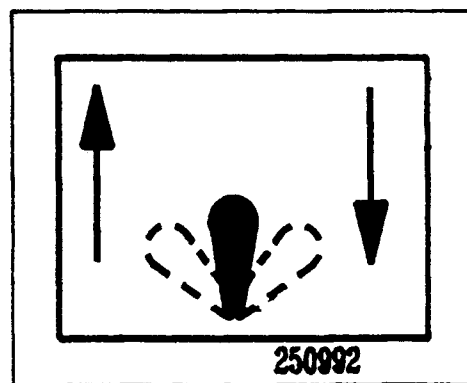
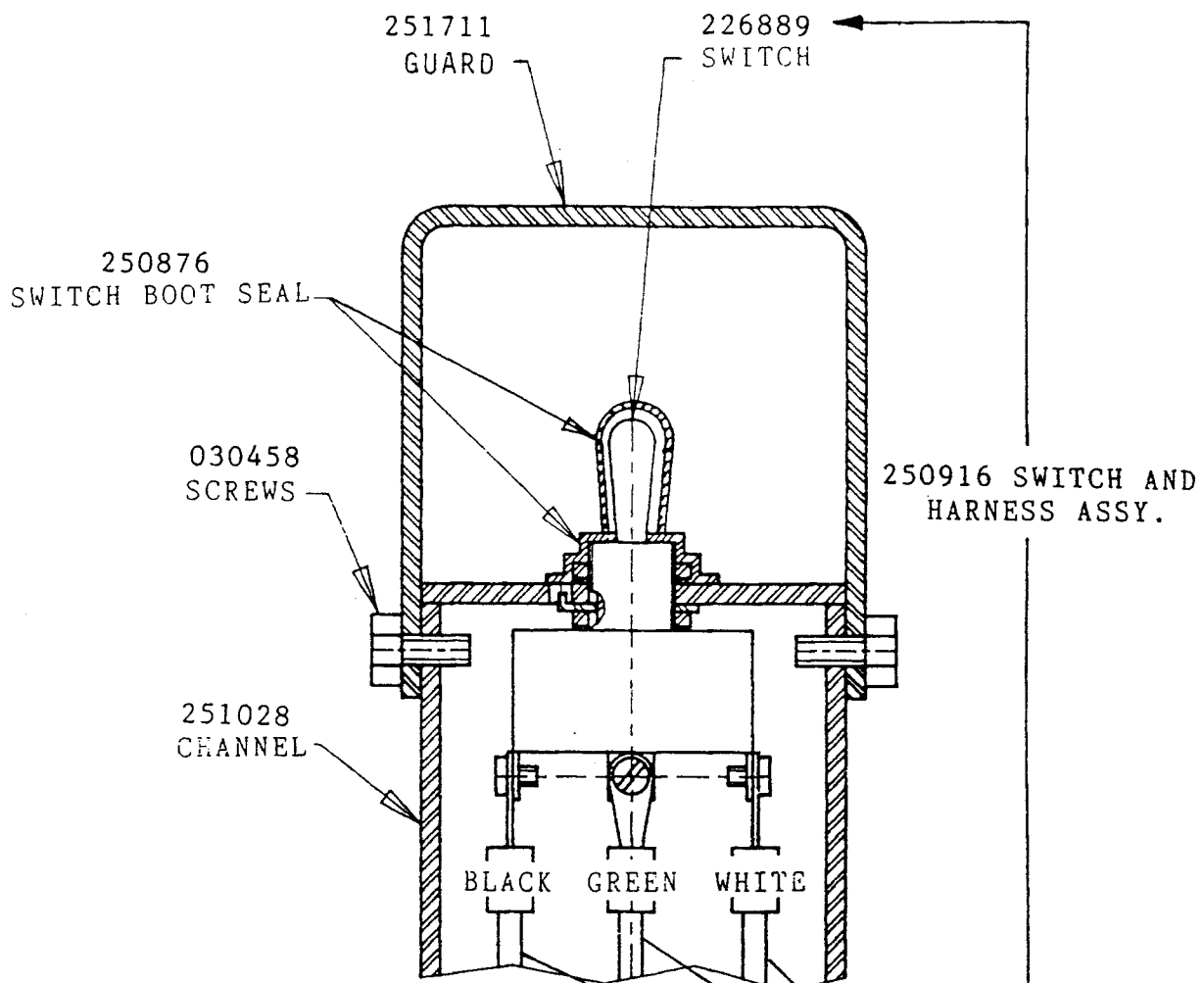
ITEM	DESCRIPTION	PART NO.	QTY.
1	DRIVE PLATE	251879	1
2	OIL SEAL	229288	1
3	BEARING	229287	1
4	MOTOR	229272	1
5	SOLENOID SWITCH, 12 V DC	251880	1
6	BUS BAR	229199	1
7	COUPLING	229200	1
8	PUMP UNIT ASSEMBLY	251881	1
9	RESERVOIR	251882	1
10	FILTER	229280	1
11	HEX WASHER HEAD CAP SCREW	251883	4
12	O-RING	251884	1
13	STREET ELBOW	229278	1
14	PIPE NIPPLE	229279	1
15	OUTLET TUBE	229276	1
16	RETURN TUBE CLAMP	229289	1
17	HEX WASHER HEAD CAP SCREW	229277	1
18	FILLER BREATHER	229193	1
19	CHECK VALVE	251885	1
20	DOWN VALVE SOLENOID COIL	252706	1
21	DOWN VALVE AND COIL ASSEMBLY	252703	1
22	VALVE POPPET	229281	1
23	SPRING	229282	1
24	HEX NUT	229284	1
25	ACORN NUT	229285	1
26	WASHER	229286	2
27	ADJUSTING SCREW	229283	1

PUMP INSTALLATION



PUMP ENCLOSURE
OPTION



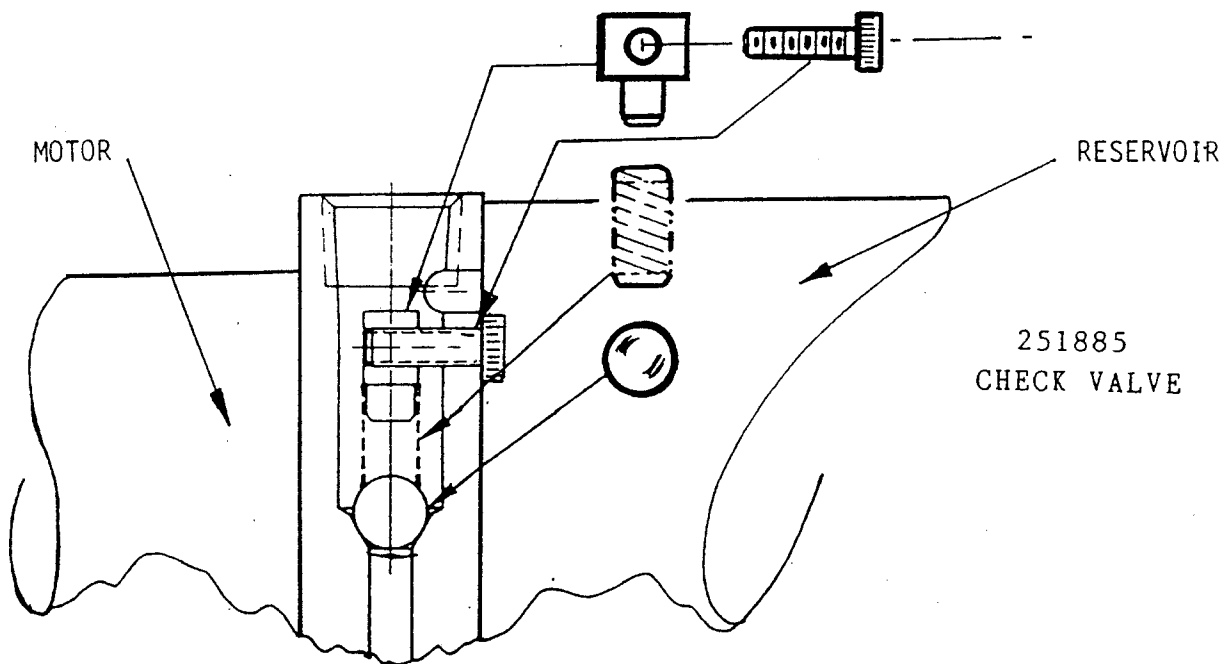


250916-1 HARNESS ASSY.

250992 DECAL

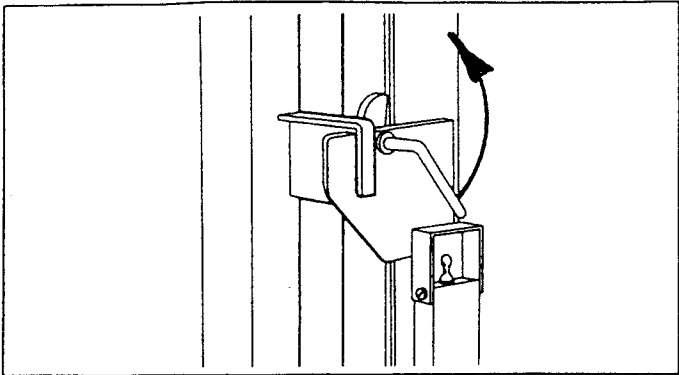
CHECK VALVE

WHEN REINSTALLING CHECK VALVE BE SURE TO INSERT SCREW
INTO HOLE IN SPRING RETAINER, NOT ON TOP OF THE RETAINER



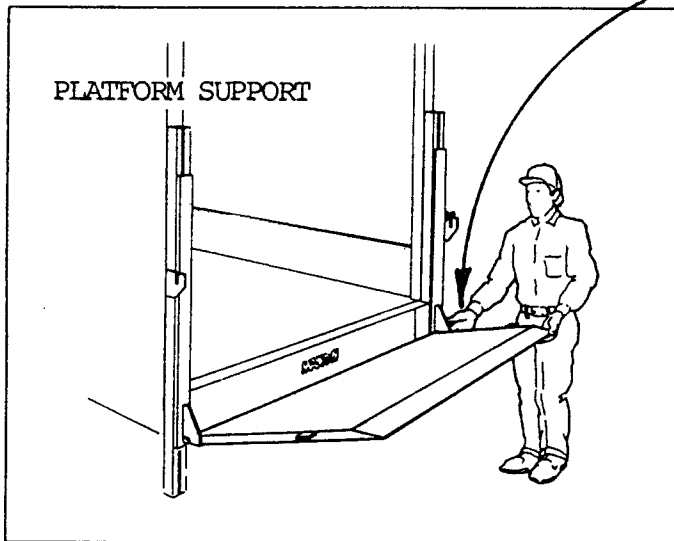
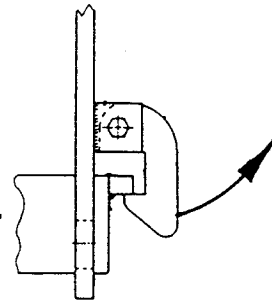
TO REMOVE CHECK VALVE THE RESERVOIR MUST BE REMOVED

PLATFORM OPERATION



TO UNLATCH AND UNFOLD PLATFORM:
USING SWITCH RAISE PLATFORM AND
ROTATE LATCH HANDLE COUNTER
CLOCK WISE. PLATFORM WILL UNFOLD.

BEFORE FOLDING PLATFORM UNLATCH
PLATFORM AT CURB SIDE.



TO FOLD PLATFORM:
AT ANY HEIGHT MANUALLY FOLD PLATFORM
AND RAISE ABOVE LATCH, LOWER INTO
PLATFORM SUPPORT, LATCH WILL AUTO-
MATICALLY LOCK PLATFORM IN PLACE.

CAUTION

BEFORE MOVING VEHICLE ALL WAYS LOCK PLATFORM
INTO PLATFORM SUPPORTS.

