



Owner's Manual

LHLP-3500 Hide-A-Way™ Tuckunder Style



LEYMAN MANUFACTURING CORPORATION

10900 Kenwood Road
Cincinnati, OH 45242

1-866-LEYMAN-1 · 1-866-539-6261 · 513-891-6210

Fax 513-891-4761

www.leymanlift.com

sales@leymanlift.com

LML00227-09/19/06

TABLE OF CONTENTS

Introduction	2
Words of Caution	3
Operation of the Lift Gate	
LHLP3500 Operation	4
Hand Pump Operation	5
Maintaining the Lift Gate	
Recommended Oils and Lubrication	6
Preventative Maintenance Schedule	7
Trouble Shooting	
Trouble Shooting Chart	8
Electric Diagram – Hydraulic Diagram	9
Walk Around Push Button Option	10
Emergency Hand Pump Option	11
Battery Hook Up	12
Grounding Recommendations	13
Maintenance Minder2™ Overview (Optional)	14
Maintenance Minder2™ Controller Menus (Optional)	15 - 16
Parts Replacement	
Power Unit Parts	17
Hydraulic Assembly	18
Pivot Pins, Bushings, Springs	19-20
Installation Safety Decals	21
Notes	22

INTRODUCTION

This manual contains the operating procedures on the equipment your company is using that was manufactured by Leyman Manufacturing Corporation.

Past experience has indicated that it is most unwise to operate these units without proper instructions which should be instituted by the purchaser.

While these products have certain safety features engineered into their design, they are all operated by human beings. Therein lies the problem of safety and one should always have caution in mind when operating this or any other machine that has parts that weight several hundred pounds.

Again, let us remind you that there are moving parts on this product that weight several hundred pounds. These parts, when not under proper control can cause physical damage to the operator. Because of the weights that are involved: carelessness and neglect of training can make these units dangerous.

Do not overload this product. Maintain it properly. Stand clear of moving parts. Operate as instructed.

This lift gate has a long life expectancy and will take some abuse. Use good judgment when operating this equipment.

PLEASE FILL IN FOR YOUR RECORDS

Customer:	
Model:	LHLP3500-8061CS
Capacity:	3500 lbs.
Type:	Hide-A-Way
Power:	12 volts
Platform:	Two piece
Serial #:	
Options:	<hr/> <hr/> <hr/>
Maximum Height:	59 in
Hydraulic Pressure:	LOADED 2,500 psi AT THE PUMP

**WHEN PLACING PARTS ORDER, YOU WILL NEED
THE SERIAL NUMBER AND MODEL OF THE LIFT
GATE.**

WORDS OF CAUTION

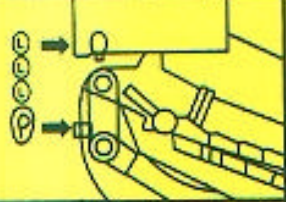
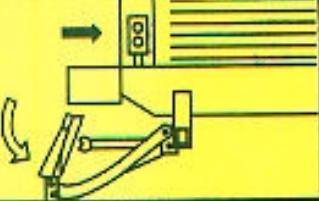
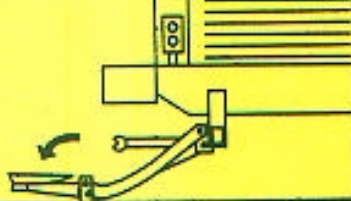
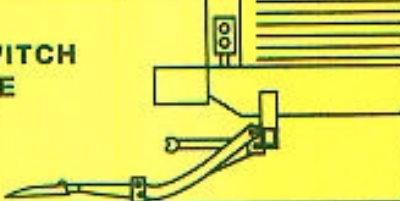
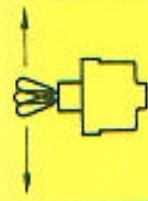
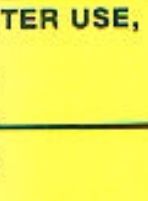
1. Before any maintenance is performed on this unit, read and understand this manual completely.
2. Do not stand in front or behind the platform when lowering from the stored position or when operating the gate in folded position.
3. Make sure the ground is clear under the platform when lowering, check the area around the gate for any persons before operating the gate.
4. This lift gate should operate smoothly and the only noise that you should be heard is the power unit. Any audible sounds other than normal power unit operation sound should be thoroughly inspected and the cause of noise should be pin-pointed and corrected.
5. Never exceed the rated load capacity of this gate.
6. Always load as close to the center of the platform and close to the truck or trailer sill.
7. Do not allow persons to operate the unit unless they have been properly trained to do so.
8. Inspect the hydraulic cylinders seals for leakage every six (6) months.
9. Inspect hydraulic lines for cracks or deterioration every six (6) months.
10. Check the level of the hydraulic oil in the power unit tank once a month.
11. Clean the hydraulic power unit strainer and in-line filter every three (3) months.
12. Always disconnect the battery from the power source before servicing the unit.
13. Use only factory authorized parts for replacement.

WARNING: SINCE THIS GATE HAS POLYMER GREASELESS BEARINGS IN THE MAIN PIVOT POINTS, (TENSION ARM, COMPRESSION ARM AND CYLINDER PIVOTS) ATTACH GROUND WIRE CLOSE TO WHERE YOU ARE WELDING OR YOU WILL DAMAGE CYLINDER AND OTHER COMPONENTS.

LHLP 3500 OPERATING INSTRUCTIONS

- Before operating the lift gate, read and understand this decal, urgent warning decal and the Owner manual.
- Do not stand behind the lift gate while unfolding or using the platform.

LHLP OPERATING INSTRUCTIONS

- 1 UNHOOK SAFETY CHAIN**

- 2 LOWER GATE- SELECT POWER OR GRAVITY DOWN. TOGGLE DOWN SWITCH.**

- 3 OPEN BOTH PLATFORM SECTIONS**

- 4 TOGGLE SWITCH UP TO RAISE PLATFORM OR**

- 5 TOGGLE SWITCH DOWN TO LOWER PLATFORM. PLATFORM WILL AUTO-TILT AT GROUND**

- 6 TO TUCK UNIT UNDER AFTER USE, REVERSE STEPS**


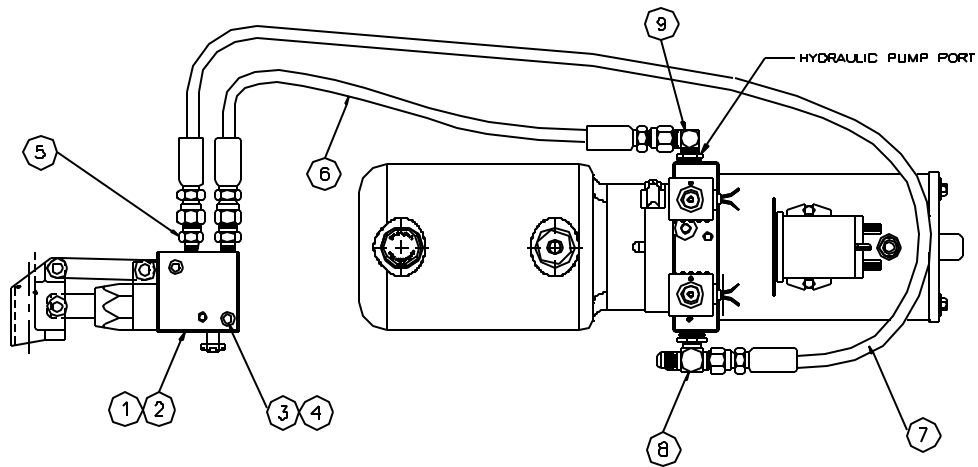
1 2 3 4

LEYMAN MFG.
10900 Kenwood Road
Cincinnati, Ohio 45242

P55329

OPERATING THE HAND PUMP (OPTIONAL)

1. Optional Hand Pump is located inside power unit box.
2. Insert handle into pump and stroke to raise.
3. Twist valve at pump base counter-clockwise to lower.
4. Close valve (turn clockwise) at pump base when finished.



RECOMMENDED OILS AND LUBRICATION

HYDRAULIC OILS	MANUFACTURER	TYPE	TEMP. RANGE
Level 1 Normal Conditions	Mobile	DTE 11	-15° F to + 150° F
	Shell	TELLUS-T15	-15° F to + 150° F
	Exxon	UNIVIS N15	-15° F to + 150° F
	Chevron	RYKON ISO-15	-15° F to + 150° F
Level 2 Cold Conditions	Mobile	AERO-HFA	-50° F to + 80° F
	Shell	AERO FLUID#4	-50° F to + 80° F
	Exxon	UNIVIS HVI 13	-50° F to + 80° F
	Chevron	AVIATION-A	-50° F to + 80° F
	Mil	H-5606	-50° F to + 80° F

HYDRAULIC TANK CAPACITY
3.60 quarts

LUBRICATION	
Grease	Not Required

BATTERIES
Two (2) 12 V D.C. Group 31 Deep Cycles

ELECTRICAL COMPONENTS CONNECTIONS
Use Battery terminal protection Bowman Part#21948

AMPERAGE DRAW OF MOTOR
When raising platform (empty) approximately 120 AMP @ 12 volts. At bypass approximately 180 AMP @ 12 volts

LIFTING PRESURE SETTING
With platform at floor level and pump in bypass 2500 psi

MINIMUM VEHICLE FLOOR HEIGHT LADEN
47" vehicle floor height

MAXIMUM VEHICLE FLOOR HEIGHT UNLADEN
59" vehicle floor height

APPROXIMATE TIME EMPTY AT 80° F WITH 2 153 AMP HOUR BATTERIES
Time up: 17 – 19 seconds Time down: 17-19 seconds (power down)

PREVENTIVE MAINTENANCE SCHEDULE

MAINTENANCE BY CYCLES

COSTUMER:		
LOCATION:		
VEHICLE:	MODEL:	SERIAL#:

✓ = OK A=ADJUSTED N= NOT APLICABLE ✕ = REPAIR

2,000	4,000	8,000	MOTOR – PUMP COMPONENTS
			Check battery(ies) for water level and corrosion.
			Check battery(ies) for proper charge level. CHARGE LEVEL:
			Check the voltage of battery(ies).
			Check all wiring connections for corrosion and tightness.
			Check solenoids for loose fittings and operation.
			Check reservoir for correct amount of fluid (platform on ground and tilted)
			Inspect fuse links and/or circuit breakers and replace if necessary.
			Check the charge line or power line and connections.
			Remove and clean all pump solenoids cartridges.
			Replace hydraulic fluid in reservoir.
			Check and adjust the relief valve setting.
			Check brushes and armature in motor. Replace if necessary
			Check amperage draw of motor.
2,000	4,000	8,000	LUBRICATION
			Steam clean the lifting gear.
			No lubrication should be required at pivot points.
2,000	4,000	8,000	STRUCTURE INSPECTION
			Raise and lower the lift gate. Check both power and gravity down operations.
			Check lifting gear for impact damage. Repair if necessary.
			Check up and down cylinder for leaks. Repack or repair if necessary
			Inspect for broken and/or missing roll pins.
			Inspect for worn bushings and/or bearing. Replace if necessary.
			Steam clean gate. Repair any structural welds as needed.
			Repaint where needed and replace any worn or missing safety decals.

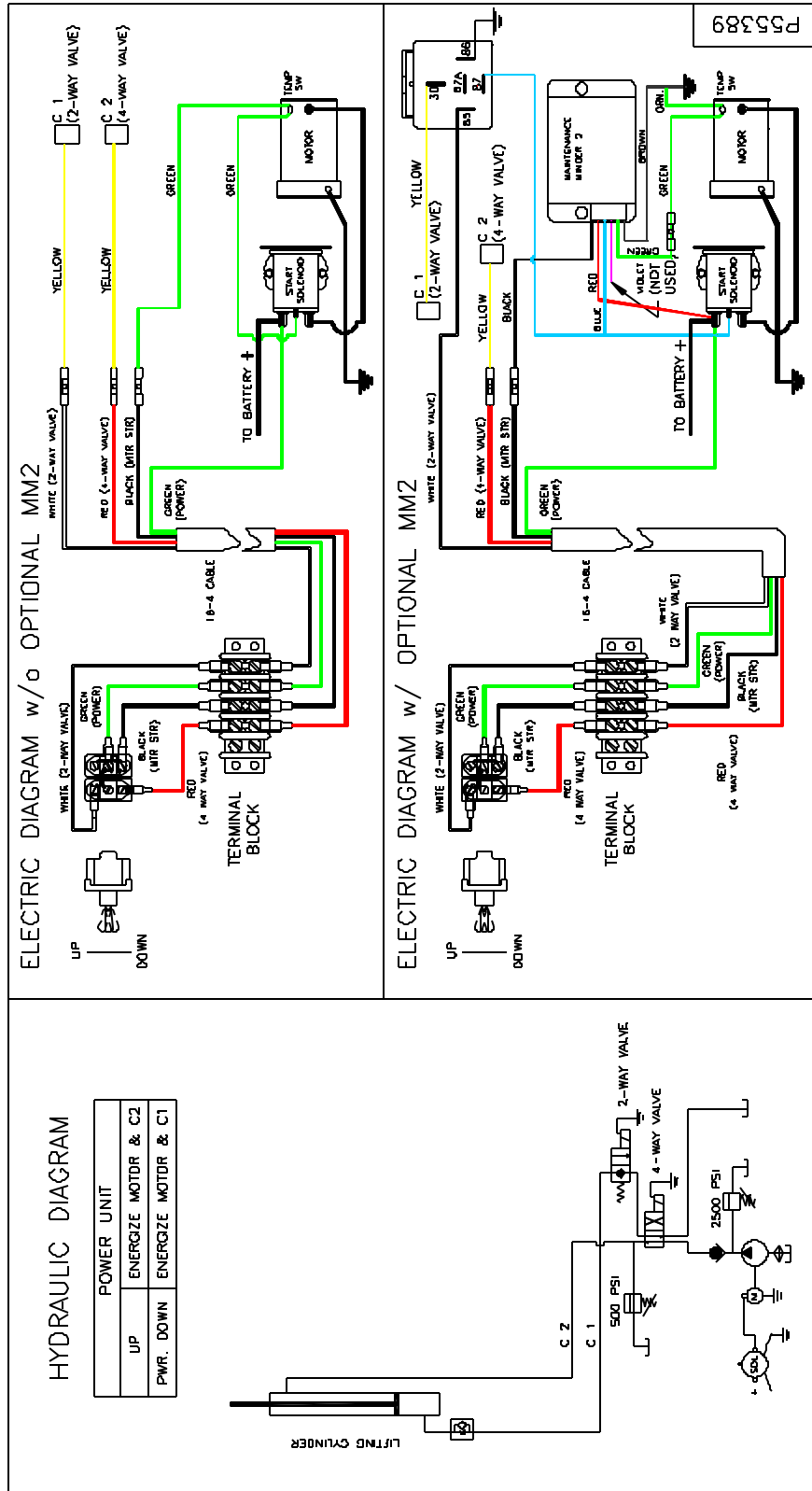
SERVICED BY: _____ DATE: _____

INSPECTION NOT REQUIRED
 INSPECT

TROUBLE SHOOTING CHART LHLP-3500

PROBLEM	POSIBLE CAUSE	SOLUTION
The platform will not go up or reach floor level.	<ol style="list-style-type: none"> 1. Battery is low 2. Slave line is disconnected or connections are loose (battery and motor). 3. Insufficient oil in power unit tank 4. Poor switch connections 	<ol style="list-style-type: none"> 1. Recharge battery 2. Connect the slave line property. 3. Fill the power unit tank 4. Clean and check switch connections.
Platform will not lower	<ol style="list-style-type: none"> 1. Battery is low 2. Poor switch connections 3. Check lowering valve (2 way). 	<ol style="list-style-type: none"> 1. Recharge battery 2. Clean and check switch connections. 3. Clean/replace as necessary.
Platform creeps down	<ol style="list-style-type: none"> 1. Dirt under the ball of the check valve, the ball is pitted, worn or the spring is weak. 2. Hydraulic leak. 3. Cylinder piston seals failing. 	<ol style="list-style-type: none"> 1. Clean 2. Check all hoses and fittings. 3. Replace cylinder seals.
Platform goes down slowly	<ol style="list-style-type: none"> 1. Excessive wear of mechanical components. 2. Restriction in hydraulic system. 3. Incorrect hydraulic oil in system for cold weather. 	<ol style="list-style-type: none"> 1. Insure free movement of all mechanical parts. 2. Check strainers on valve stems. 3. Use Mobile Aero-HFA in cold weather.
Platform comes down crooked	<ol style="list-style-type: none"> 1. Flow control valve problem. 2. Air in system. 	<ol style="list-style-type: none"> 1. Replace flow control. 2. Bleed cylinder.
Gate will not lift the rated load.	<ol style="list-style-type: none"> 1. Hydraulic pump is worn. 2. Battery is too low. 	<ol style="list-style-type: none"> 1. Change the pump. 2. Recharged the battery to full charge.
Pump will not operate	<ol style="list-style-type: none"> 1. Battery too low. 2. Electrical hookup to motor not making contact. 3. Control switches are not making good contact. 4. Optional Maintenance Minder2 controller has shut down the system due to the low voltage. Must maintain 8 volts minimum under load. 	<ol style="list-style-type: none"> 1. Recharge the battery and check to be sure that slave line has a good connection. 2. Clean connection and re-tighten. 3. Clean and check the connections. 4. Use the "Last Lift Menu" data on screen to read maximum and minimum voltages, recharge battery.

ELECTRICAL & HYDRAULIC DIAGRAM



WALK AROUND PUSH BUTTON OPTION

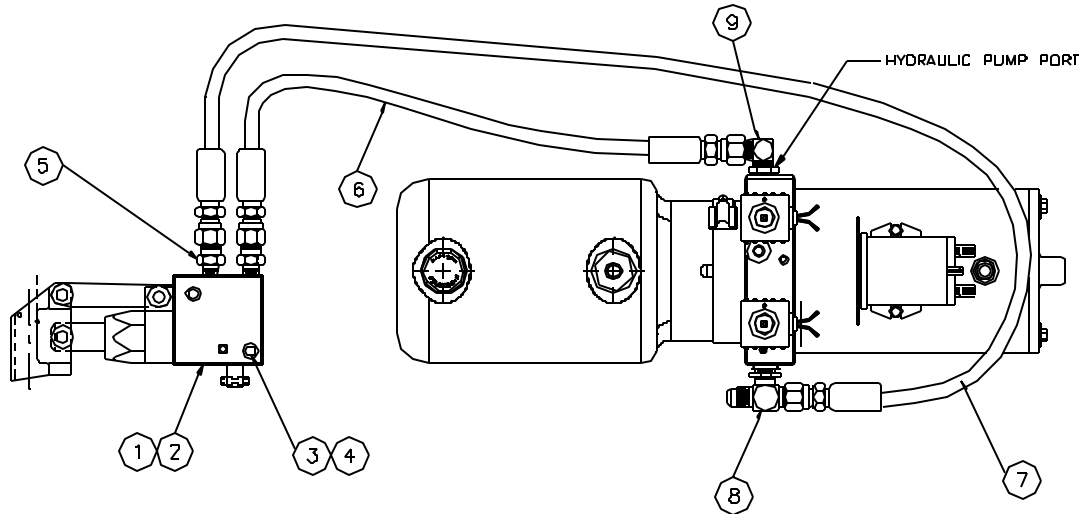
CHANGES

INSTALLATION INSTRUCTIONS:

- 1) SELECT A LOCATION FOR MOUNTING THE 4 WAY FEMALE PLUG AND WELD THE MOUNTING PLATE IN PLACE.
- 2) CONNECT THE 16-4 CABLE WIRES TO THE FEMALE PLUG AS SHOWN IN THE DIAGRAM. ADD DIELECTRIC GREASE TO CONNECTIONS. THEN INSTALL HEAT SHRINK TO SEAL CABLE AND FEMALE SOCKET.
- 3) MOUNT PLUG AND RUN CABLE TO POWER UNIT. SUPPORT CABLE USING LOOM CLAMPS AND SCREWS.
- 4) ASSEMBLE CORD GRIP IN POWER UNIT BOX HOLE. INSERT CABLE THRU CORD GRIP AND CUT TO REQUIRED LENGTH. INSTALL FORK TERMINALS WITH HEAT SHRINK SEALS. CONNECT TO TERMINAL STRIP BY MATCHING WIRE COLORS

13	1	P46656	HEAT SHRINK 1.1" DIA.	1 PC. 3" LONG	NOT SHOWN
12	1	P46587	DIELECTRIC GREASE PACKET		NOT SHOWN
11	5	P17518	SELF TAPPING SCREW		NOT SHOWN
10	5	P46250	LOOM CLAMP		NOT SHOWN
9	1	P46139	CORD GRIP		NOT SHOWN
8	4	P46476	LOCKING FORK TERMINAL		NOT SHOWN
7	1	BA-551-398	WAP ASSEMBLY		
6	1	P46314	JACKETED WIRE	16-4	120" LONG
5	2	P23502	LOCK NUT	1/4	
4	2	P26007	FLAT WASHER	1/4	
3	2	P10517	BOLT	1/4-20 X 5/8	
2	1	P46329	4 WAY PLUG CONN. FEMALE		
1	1	AP-551-236	WTC PLATE		
MARK	REQD	PART NO.	PART NAME	MATL.	MATERIAL SIZE
LEYMAN MANUFACTURING CORPORATION					
TOLERANCE		PART NAME			
FRACTIONS : 1/64		WAPB KIT			
DECIMALS : 0.0005		OPT. 223			
ANGLES : 30 MIN		TOTAL WEIGHT			
OR SMALLER : 1/2"		SCALE 1/4"			
UNLESS OTHERWISE NOTED		SH			
		OF			

EMERGENCY HAND PUMP OPTION 224



ITEM #	QTY	PART #	DESCRIPTION
1	1	P33902	Hand pump with handle
2	1	AA-658-249	Spacer block
3	2	P16504	1/4-20 SHCS
4	2	P23502	Lock nut
5	2	P34006	Adapter
6	1	AT-501-354-018	Hydraulic hose
7	1	AT-501-354-035	Hydraulic hose
8	1	P34076	Tee
9	1	P34020	90 Deg. Elbow
10	2	P17518	Self Tapping Screw

HAND PUMP OPERATIONS

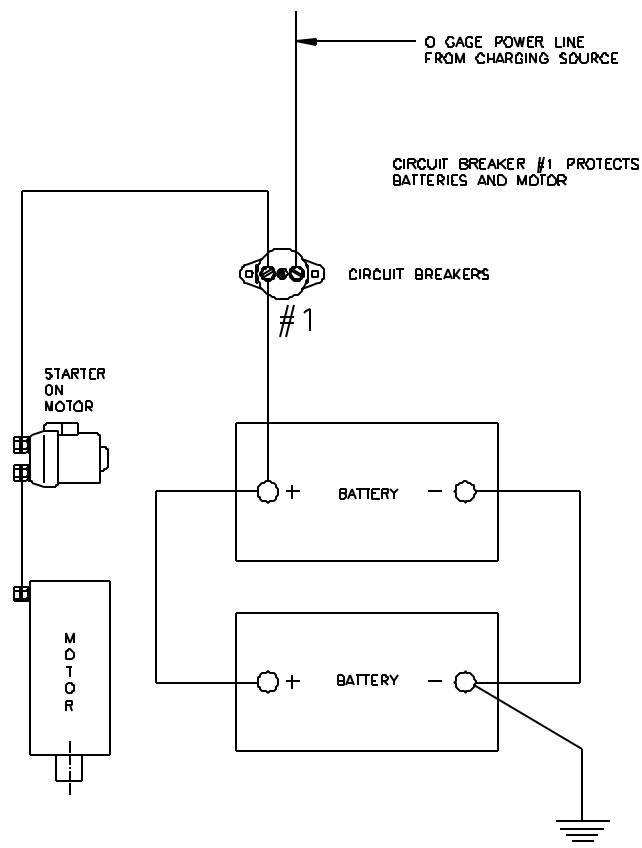
- 1) INSERT HANDLE INTO HAND PUMP TO RAISE.
- 2) TWIST VALVE AT PUP BASE TO LOWER
- 3) CLOSE VALVE AT PUMP BASE WHEN FINISHED

BATTERY HOOK UP

WE RECOMMEND BATTERIES WITH THE FOLLOWING SPECIFICATION:

- 12 Volt Deep Cycle
- B.C.I. Group - Size 31
- Terminal Type - TS
- Cold Cranking Amp -580

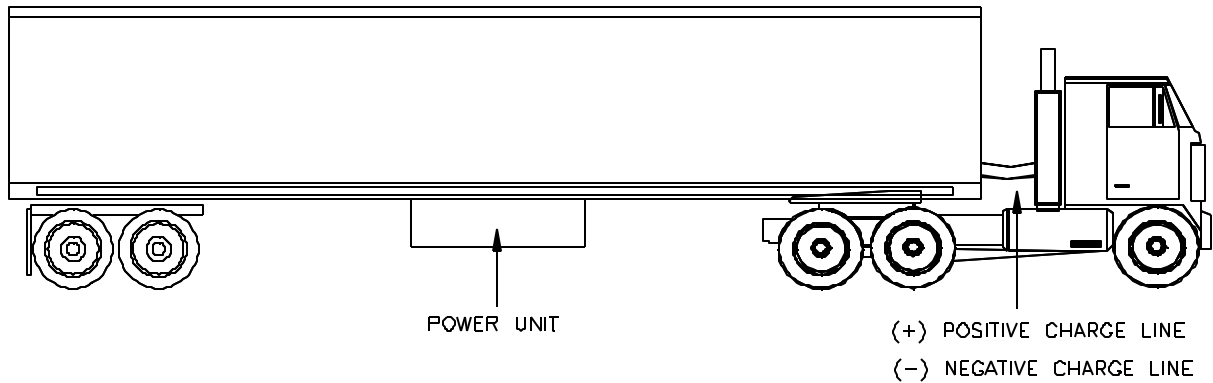
ONE CIRCUIT BREAKER WIRING DIAGRAM



FAILURE TO USE CORRECT BATTERIES WILL VOID WARRANTY

GROUNDING RECOMMENDATIONS

FOR TRACTOR & TRAILER



Utilization of a single positive cable does not provide sufficient ground. Therefore, our recommendations for grounding trailers with a LHLPTM gate are as follow:

Two (2) cables: one (1) positive and one (1) negative, both running to the tractor batteries.

The Maintenance Minder 2 controller (optional) requires that a minimum of 8 volts be maintained under load in order for the LHLPTM 3500 to operate.

NOTE:

The use of a battery charger as the sole power source to operate the LHLPTM is **unauthorized** and will prevent the LHLPTM from working properly. The lift gate must always be operated in conjunction with a least one (1) 12 volt heavy duty lift gate battery. The LHLPTM Power Unit must be properly grounded. A 5/16" Ground Screw is provide on the pump block to connect a ground wire to the vehicle frame.

MAINTENANCE MINDER 2 OVERVIEW (OPTIONAL)

Power unit is equipped with the Maintenance Minder 2 Controller. It will:

- Automatically keep track of maintenance intervals and warn the user when maintenance is due, based on the number of lifts.
- Record low voltage occurrences.
- Record of high temperature faults.
- Record of maximum run time faults, when a single operation exceeded the maximum continuous run time limit.
- Give helpful trouble-shooting information on MENU 4, “Last Lift Info”.

FAULTS CODES

A decal in the power unit enclosure lists the following signal codes for these faults:

1 BEEP	Service Fault (reached the number of lifts when maintenance is due)
2 BEEPS	Low Voltage Fault (check battery condition and power line connections)
3 BEEPS	Max. Time Fault (exceeded the maximum continuous run time allowed)
4 BEEPS	High Temperature Fault (unit will not run until motor cools)

All faults signals will be repeated **THREE** times. Controller will prevent power unit from operating during the time period when a fault signal is sounding (about 5 to 10 sec.) The controller is also equipped with an anti-doorbelling feature, which prevents rapids ON/OFF operation of the power unit.

RESETTING after MAINTENANCE IS PERFORMED

To RESET the Maintenance Minder 2 after maintenance has been performed:

1. Go to MENU 2, hit “ENTER”, and toggle down to the “Reset All Info” screen.
2. Press the hidden RESET button under Maintenance Minder 2 logo at top of faceplate.
3. Follow the instructions on the screen regarding a second button, which must be pressed to complete the reset operation.



MAINTENANCE MINDER 2 CONTROLLER MENUS

(Press MENU)

MENU 1 – LIFT GATE INFO

(Press ENTER, then ARROW DOWN for each item)

Model Number, Serial Number, Manufacture Date, Vehicle ID, Hardware Version, Firmware Version, Software Version.



(Press MENU and ARROW DOWN once)
MENU 2 – PERIOD INFO (data for current maintenance period)

(Press ENTER, then ARROW DOWN for each item)

Number of Lifts (gives the number during this maintenance interval and the set of number when maintenance is due)

Motor ON (total motor run time in minutes for this maintenance period)

Service Fault (number of times gate was operate while PAST the maintenance limit)

Max. Time Faults (times motor exceeded its maximum allowable continuous run time)

High Temperature Faults (Times thermal switch in motor tripped, if switch provided)

Low Voltage Faults (times low voltage occurred)

Reset all Info (Reset data after performing maintenance, once maintenance limit is reached – instructions will flash on screen after limit reached)



MAINTENANCE MINDER 2 CONTROLLER MENUS

(Press MENU and ARROW DOWN twice)

MENU 3 – LIFT GATE INFO (data for the total life time of the gate)

(Press ENTER, then ARROW DOWN for each item)

Same items will appear as under PERIOD INFO, except this is LIFE TIME data.

Reset History (reviews history for each maintenance interval)

Press ENTER, then ARROW DOWN

To show history. Most recent period is highest#. Screen shows Period #, # of Lifts, and Total Run Time in minutes.



(Press MENU and ARROW DOWN three times)

MENU 4 – LAST LIFT INFO (Trouble Shooting Screen – it records data that occurred during the last lift made)

(Press ENTER, then ARROW DOWN for each item)

Supply Voltage (first voltage is the minimum voltage that occurred during the last lift – if below 6 volts gate will stop / second voltage is the supply voltage just before gate operation, must be at least 10 volts).

Motor ON (motor run time in seconds during last lift, gate will stop at 180 seconds).

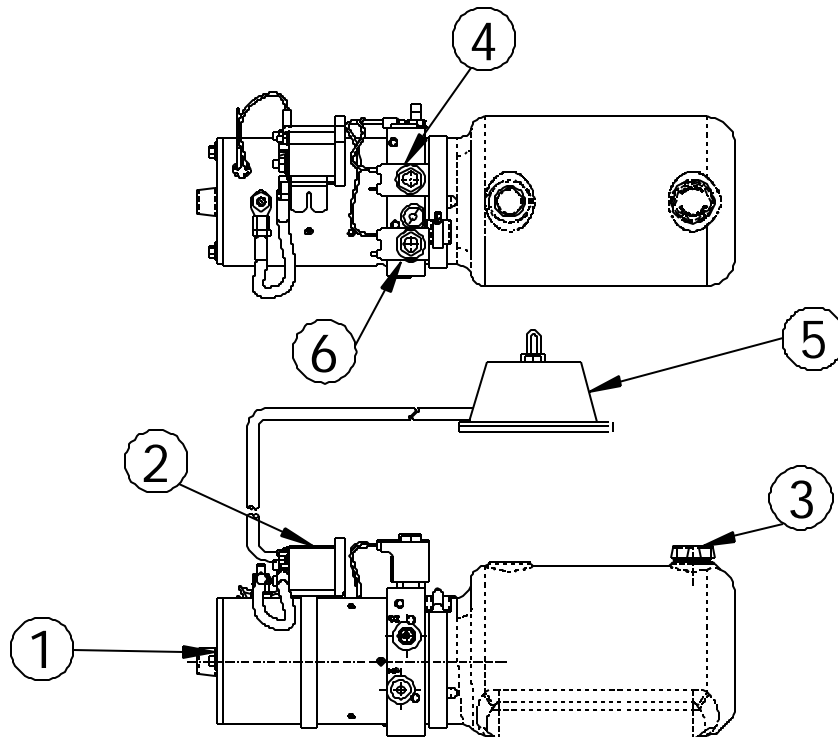
Window Time (time in milliseconds during the last lift that the voltage dropped in between 6 and 8 volts – must not be any longer than 3 seconds or gate will stop).



NOTE:

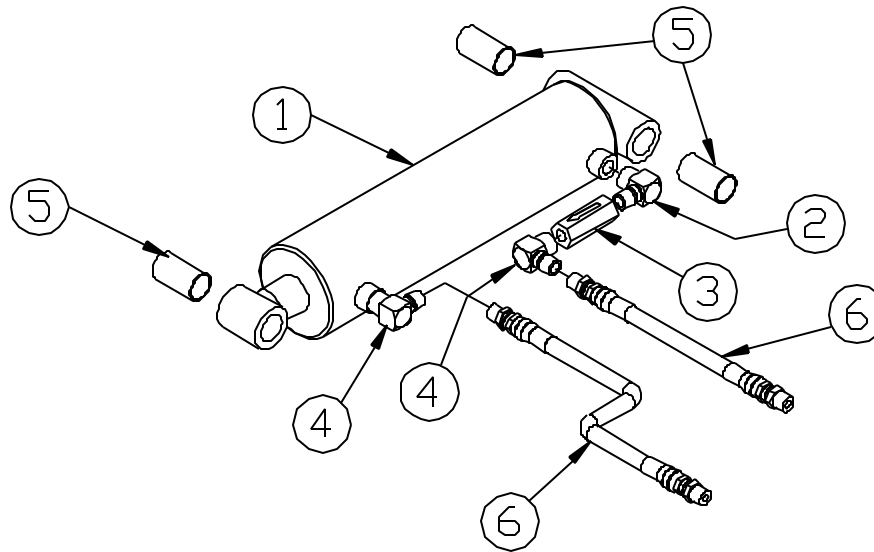
Controller has an anti-doorbelling feature. Motor will not operate if UP switch is toggled rapidly. This prevents welding of the start solenoid contacts.

POWER UNIT PARTS



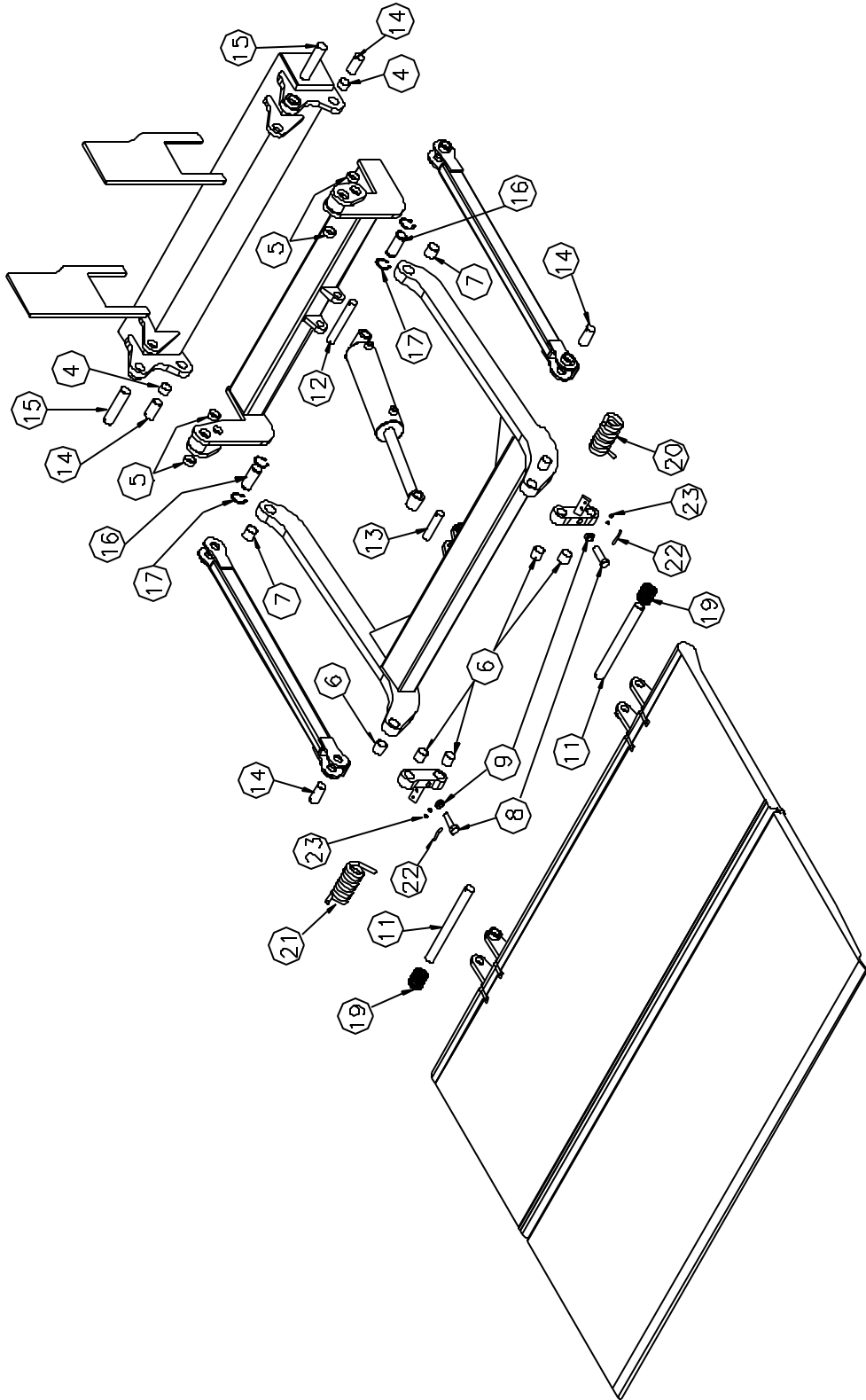
ITEM #	PART #	DESCRIPTION
	P34073	Power Unit (complete)
1	P33992	Motor
2	P34016	Start Solenoid
3	LH150015	Breather Cap
4	P34025	C1, 2 Way, 2 Pos. Solenoid Valve
5	P46635	Wire Harness w/ Switch
6	P34080	C2, 4 Way, 2 Pos. Solenoid Valve

HYDRAULIC ASSEMBLY



ITEM #	QTY.	PART #	DESCRIPTION
1	1	P34071	Cylinder
2	1	P33217	3/8" 90 Elbow
3	1	P33984	2.8 GPM Flow Control Valve
4	2	P34005	90 ELBOW 3/8-9/16
5	3	P43578	Greaseless Bushings
6	2	AT-501-354-110	Hydraulic Hose.

PIVOT PINS, BUSHINGS, SPRINGS



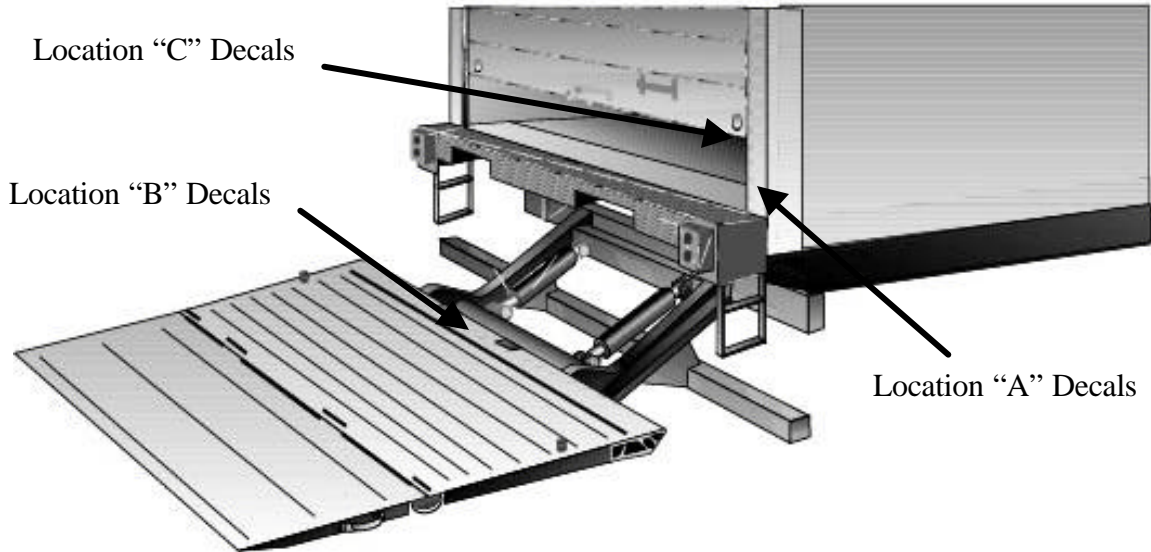
PIVOT PINS, BUSHINGS, SPRINGS

ITEM #	QTY	PART #	DESCRIPTION	REMARKS
1	1	BA-711-114	Pivot Bracket	NOT SHOWN
2	1	P14517	Soc Head Set screw ½-13 x 2	NOT SHOWN
3	1	P23533	Hex Jam Nut ½-13	NOT SHOWN
4	2	P43596	BRG 1-1/4 ID x 1-3/8 OD x 7/8 LG.	
5	4	P43593	BRG 1-3/8 ID x 1-1/2 OD x 1-3/8 LG	
6	6	P43595	BRG 1-1/4 ID x 1-3/8 OD x 1-3/8 LG	
7	2	P43594	BRG 1-3/8 ID x 1-1/2 OD x 1-3/8 LG	
8	2	P10070	HHCS ¾-10 x 1-3/4 LG. Plated	
9	2	P22500	Nut Hex Jam ¾-10	
10	1	BA-711-104	Radius Arm Assembly	NOT SHOWN
11	2	AP-712-045	Platform Bracket Pin	
12	1	AP-800-227	Base End Pin	
13	1	AP-800-233	Rod End Pin	
14	4	AP-712-044	Compression Arm Pin	
15	2	AP-712-047	Tilt Tube Pin	
16	2	AP-712-046	Tension Arm Pin	
17	4	P24024	Retaining Ring	
18	1	AP-711-101	Radius Arm Pin	NOT SHOWN
19	24	P26028	Nylon Washer Nom 2 OD x 1-1/2 id x 1/8	
20	1	P25206	RH Spring	
21	1	P25207	LH Spring	
22	2	P17566	U-Bolt ¼ x 1 x 1-3/4 LG	
23	4	P23502	Lock Nut ¼-20	

INSTALLING SAFETY DECALS

IMPORTANT !

All decals should be positioned so they can be seen with the LHLP-3500 both in operation and in rest position, and must NEVER be covered by components or elements of the vehicle (hooks, locks, cloths, etc.).



Location "A"

DESCRIPTION	DIMENSIONS	PART #
Urgent Warning	4 1/2" x 4 1/2"	P55199
Stand Clear	5" x 8"	P55198
After using Lift Gate	4" x 2"	P55201
READ & UNDERSTAND	4" x 3"	P55203
LHLP Operation Instructions	6" x 3"	P55329
CAUTION Maximum Load 3500 lbs	4" x 7"	P55381

Location "B" (on face of tension arm tube with gate UP)

DESCRIPTION	DIMENSIONS	PART #
Secure Latch	4" x 2"	P55202

Location "B" , on the UP/DOWN switch box

DESCRIPTION	DIMENSIONS	PART #
UP – DOWN POWER DOWN	3 1/8" X 1 3/8"	P55221

If any decals are missing or become damage, free replacements are always available from LEYMAN.

