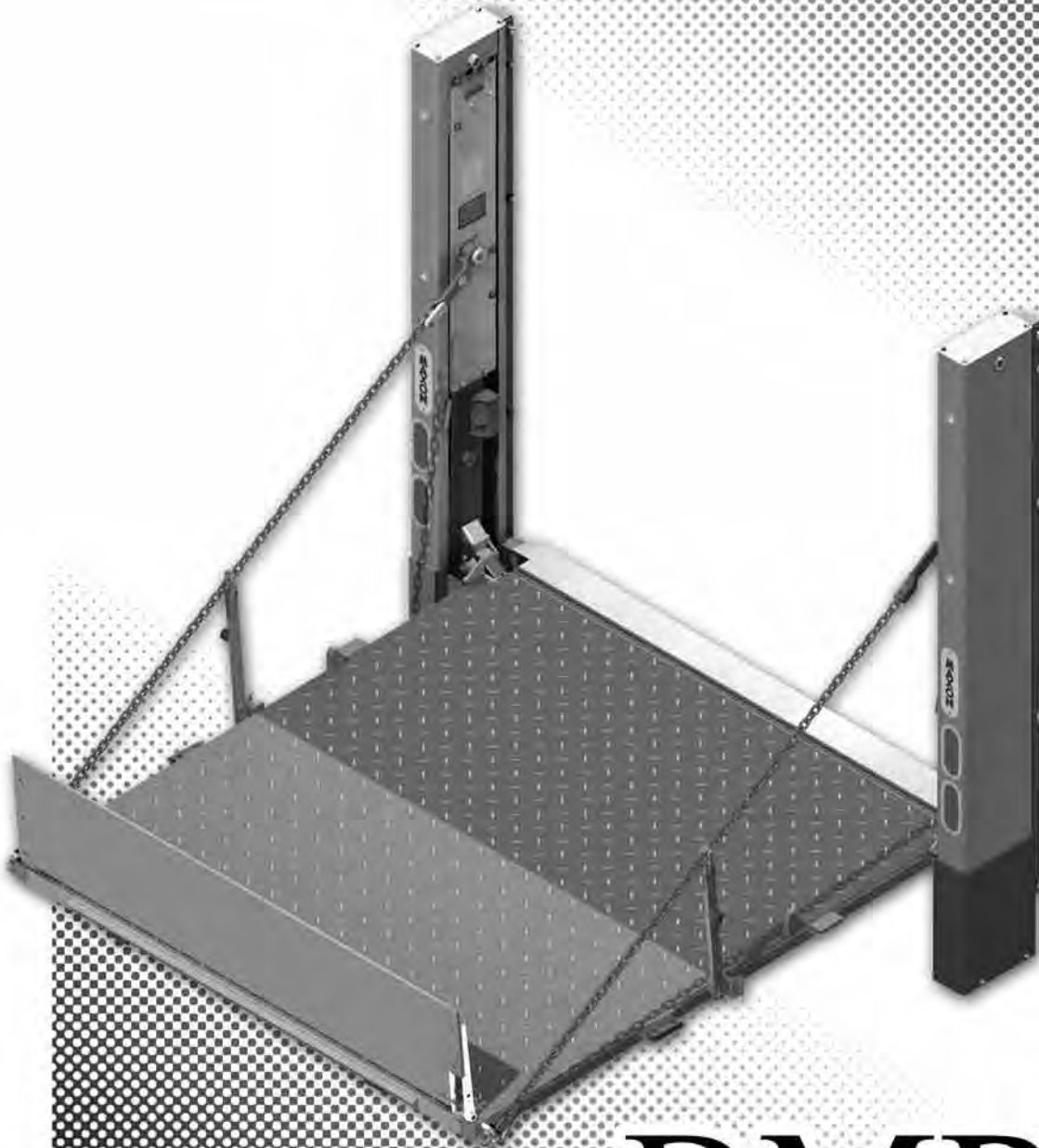


M-07-16
REV. F
AUGUST 2010

Parts Manual Contains:

- Warranty Information
- Warnings
- Parts Ordering Information
- Exploded View Parts Breakdowns



MAXON[®]
LIFT CORP.

BMRSD

PARTS MANUAL

MAXON[®]

LIFT CORP.

11921 Slauson Ave.
Santa Fe Springs, CA. 90670

CUSTOMER SERVICE:

TELEPHONE (562) 464-0099 TOLL FREE (800) 227-4116

FAX: (888) 771-7713

NOTE: For latest version of all Manuals (and replacements), download the Manuals from Maxon's website at www.maxonlift.com.

WARRANTY/ RMA POLICY & PROCEDURE

LIFTGATE WARRANTY

Type of Warranty: Full Parts and Labor

Term of Warranty: Standard Liftgates - 2 years from ship date or 6,000 cycles
Premium Liftgates - 2 years from ship date or 10,000 cycles

This warranty shall not apply unless the product is installed, operated and maintained in accordance with MAXON Lift's specifications as set forth in MAXON Lift's Installation, Operation and Maintenance manuals. This warranty does not cover normal wear, maintenance or adjustments, damage or malfunction caused by improper handling, installation, abuse, misuse, negligence, or carelessness of operation. In addition, this warranty does not cover equipment that has had unauthorized modifications or alterations made to the product.

MAXON agrees to replace any components which are found to be defective during the first 2 years of service, and will reimburse for labor based on MAXON's Liftgate Warranty Flat Rate Schedule. (Copy of the Flat Rate is available at www.maxonlift.com.)

All warranty repairs must be performed by an authorized MAXON warranty facility. For any repairs that may exceed \$500, including parts and labor, MAXON's Technical Service Department must be notified and an "Authorization Number" obtained.

All claims for warranty must be received within 30 Days of the repair date, and include the following information:

1. Liftgate Model Number and Serial Number
2. The End User must be referenced on the claim
3. Detailed Description of Problem
4. Corrective Action Taken, and Date of Repair
5. Parts used for Repair, Including MAXON Part Number(s)
6. MAXON R.M.A. # and/or Authorization # if applicable (see below)
7. Person contacted at MAXON if applicable
8. Claim must show detailed information i.e. Labor rate and hours of work performed

Warranty claims can also be placed online at www.maxonlift.com. Online claims will be given priority processing.

All claims for warranty will be denied if paperwork has not been received or claim submitted via Maxon website for processing by MAXON's Warranty Department within 30 days of repair date.

All components may be subject to return for inspection, prior to the claim being processed. MAXON products may not be returned without prior written approval from MAXON's Technical Service Department. Returns must be accompanied by a copy of the original invoice or reference with original invoice number and are subject to a credit deduction to cover handling charges and any necessary reconditioning costs. **Unauthorized returns will be refused and will become the responsibility of the returnee.**

Any goods being returned to MAXON Lift must be pre-approved for return, and have the R.M.A. number written on the outside of the package in plain view, and returned freight prepaid. All returns are subject to a 15% handling charge if not accompanied by a detailed packing list. Returned parts are subject to no credit and returned back to the customer. Defective parts requested for return must be returned within 30 days of the claim date for consideration to:

MAXON Lift Corp.
10321 Greenleaf Ave., Santa Fe Springs, CA 90670
Attn: RMA# _____

MAXON's warranty policy does not include the reimbursement for travel time, towing, vehicle rental, service calls, oil, batteries or loss of income due to downtime. Fabrication or use of non Maxon parts, which are available from MAXON, are also not covered.

MAXON's Flat Rate Labor Schedule takes into consideration the time required for diagnosis of a problem.

All Liftgates returned are subject to inspection and a 15% restocking fee. Any returned Liftgates or components that have been installed or not returned in new condition will be subject to an additional reworking charge, which will be based upon the labor and material cost required to return the Liftgate or component to new condition.

PURCHASE PART WARRANTY

Term of Warranty: 1 Year from Date of Purchase.

Type of Warranty: Part replacement only. MAXON will guarantee all returned genuine MAXON replacement parts upon receipt and inspection of parts and original invoice.

All warranty replacements parts will be sent out via ground freight. If a rush shipment is requested, all freight charges will be billed to the requesting party.

TABLE OF CONTENTS

WARNINGS	6
ORDERING PARTS	6
BMRSD LIFTGATE.....	7
MAIN FRAME & ATTACHING HARDWARE - STEEL PLATFORM (WITH MOUNTING BRACKETS)	8
MAIN FRAME & ATTACHING HARDWARE - ALUMINUM PLATFORM (WITH MOUNTING BRACKETS)	10
MAIN FRAME & ATTACHING HARDWARE - STEEL PLATFORM (WITHOUT MOUNTING BRACKETS).....	12
MAIN FRAME & ATTACHING HARDWARE - ALUMINUM PLATFORM (WITHOUT MOUNTING BRACKETS).....	14
RH COLUMN ASSEMBLY	16
RH RUNNER ASSEMBLY	18
SPRING GUARD MOUNTING	20
UPPER TANDEM ASSEMBLY, RH RUNNER	21
TANDEM ASSEMBLY (LOWER - RH & LH RUNNERS).....	22
LH COLUMN ASSEMBLY	24
LH RUNNER ASSEMBLY.....	26
UPPER TANDEM ASSEMBLY, LH RUNNER.....	28
PLATFORM, FLIPOVER, AND CHAIN ASSEMBLY - 1 (STEEL).....	30
PLATFORM, FLIPOVER, AND CHAIN ASSEMBLY - 2 (STEEL).....	32
PLATFORM ASSEMBLY (STEEL).....	34
ALUMINUM RETENTION RAMP ASSEMBLY (FOR STEEL PLATFORM).....	36
LH CHAIN ASSEMBLY (FOR STEEL PLATFORM)	38
RH CHAIN ASSEMBLY (FOR STEEL PLATFORM).....	39

TABLE OF CONTENTS - Continued

PLATFORM, FLIPOVER, AND CHAIN ASSEMBLY - 1 (ALUMINUM)	40
PLATFORM, FLIPOVER, AND CHAIN ASSEMBLY - 2 (ALUMINUM)	42
PLATFORM ASSEMBLY (ALUMINUM).....	44
FLIPOVER ASSEMBLY (ALUMINUM)	45
FLIPOVER ASSEMBLY W/FIXED RAMP (ALUMINUM).....	46
ALUMINUM RETENTION RAMP ASSEMBLY (FOR ALUMINUM PLATFORM).....	48
LH CHAIN ASSEMBLY (FOR ALUMINUM PLATFORM).....	50
RH CHAIN ASSEMBLY (FOR ALUMINUM PLATFORM).....	51
HYDRAULIC COMPONENTS SECTION.....	52
DUAL PUMP ASSEMBLY	52
SINGLE PUMP ASSEMBLY	56
12 VDC POWER UNIT	60
12VDC POWER UNIT (PUMP 2, NO MANIFOLD)	62
BOX ASSEMBLY FOR DUAL PUMPS	64
BOX ASSEMBLY FOR SINGLE PUMP	66
HYDRAULIC COMPONENTS	68
ELECTRICAL COMPONENTS SECTION	72
ELECTRICAL COMPONENTS.....	72
ELECTRICAL COMPONENTS - DUAL PUMP BOX	74
ELECTRICAL COMPONENTS - SINGLE PUMP BOX	76
ELECTRICAL COMPONENTS - BATTERY BOX.....	78
BATTERY BOX.....	80

Comply with the following WARNINGS while maintaining Liftgates.

WARNING

- Read and understand the instructions in **Maintenance Manual** before performing maintenance on the Liftgate.
- **Disconnect Liftgate power cable from battery** before repairing or servicing Liftgate.
- Wear appropriate safety equipment such as protective eyeglasses, faceshield and clothing while performing maintenance on the Liftgate and handling the battery. Debris from drilling and contact with battery acid may injure unprotected eyes and skin.
- Be careful working by an automotive type battery. Make sure the work area is well ventilated and there are no flames or sparks near the battery. Never lay objects on the battery that can short the terminals together. If battery acid gets in your eyes, immediately seek first aid. If acid gets on your skin, immediately wash it off with soap and water.
- Never perform unauthorized modifications on the Liftgate. Modifications may result in early failure of the Liftgate and may create hazards for Liftgate operators and maintainers.
- Recommended practices for welding on steel parts are contained in the current **AWS (American Welding Society) D1.1 Structural Welding Code - Steel**. Damage to Liftgate and/or vehicle, and personal injury can result from welds that are done incorrectly.
- Recommended practices for welding on aluminum parts are contained in the current **AWS (American Welding Society) D2.1 Structural Welding Code - Aluminum**. Damage to Liftgate and/or vehicle, and personal injury can result from welds that are done incorrectly.

ORDERING PARTS

- Use only **Maxon Authorized Parts** for replacement parts. Order replacement parts from:

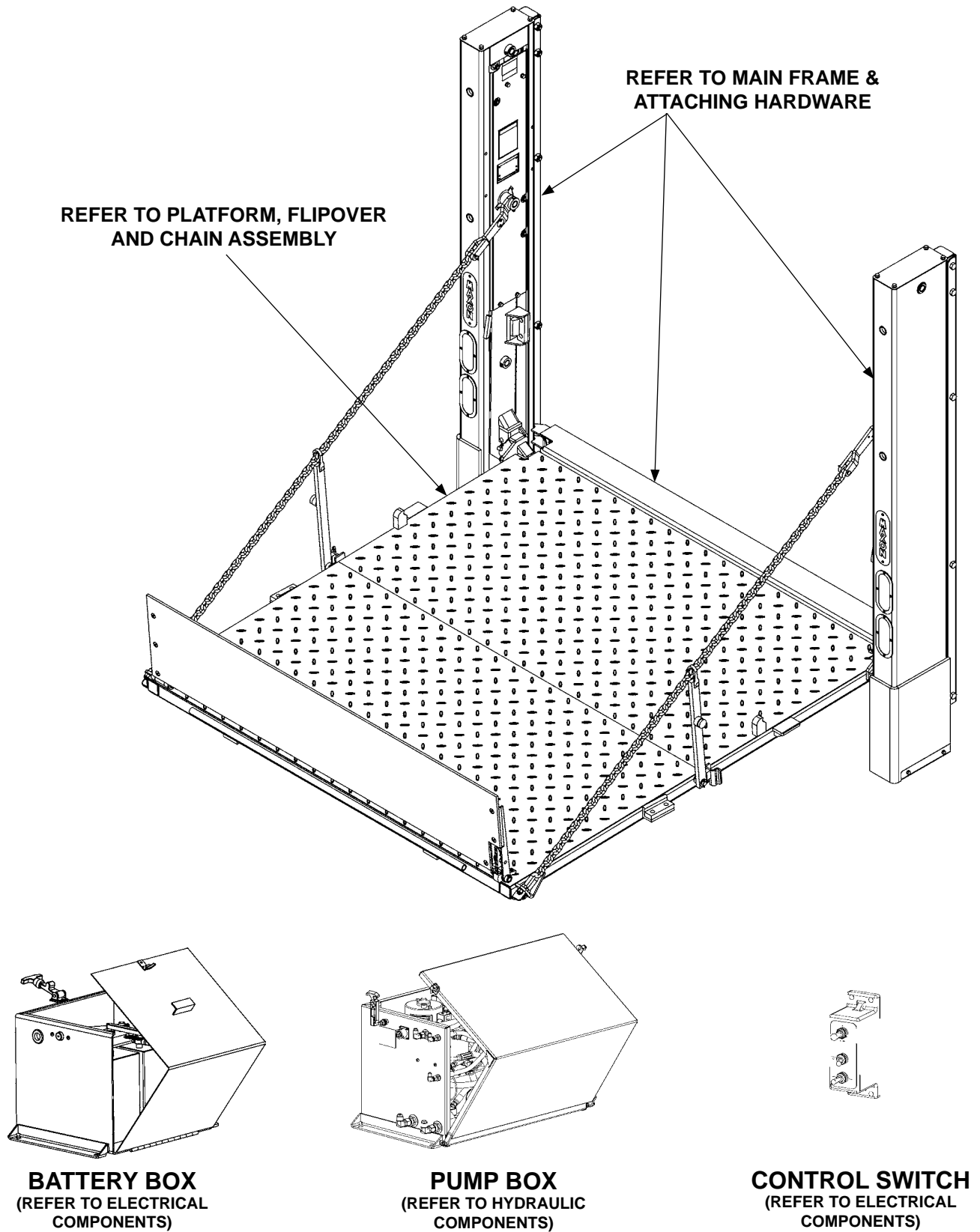
MAXON LIFT CORP. Customer Service
11921 Slauson Ave., Santa Fe Springs, CA 90670
Phone: (800) 227-4116

- To order parts by e-mail, submit orders to **cservice@maxonlift.com**.
- Provide Liftgate model and serial number information with your parts order.
- Need Technical Support? Send requests by e-mail to **technicalsupport@maxonlift.com**.
- For latest version Manuals (and replacements), download Manuals from Maxon's website at **www.maxonlift.com**.

MAXON[®]

11921 Slauson Ave. Santa Fe Springs, CA. 90670 (800) 227-4116 FAX (888) 771-7713

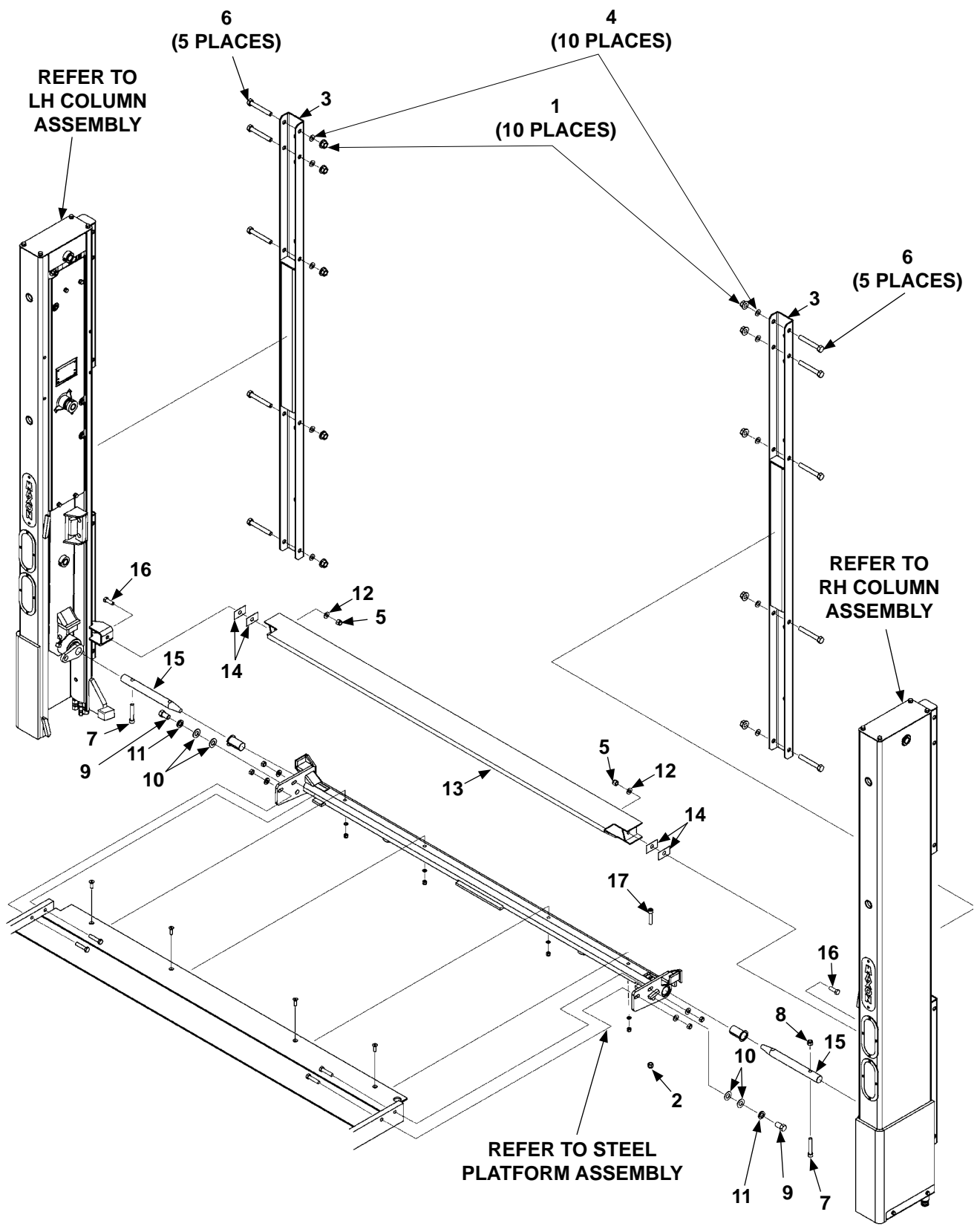
BMRSD LIFTGATE



MAXON 11921 Slauson Ave. Santa Fe Springs, CA. 90670 (800) 227-4116 FAX (888) 771-7713

MAIN FRAME & ATTACHING HARDWARE - STEEL PLATFORM (WITH MOUNTING BRACKETS)

MAXON® 11921 Slauson Ave. Santa Fe Springs, CA. 90670 (800) 227-4116 FAX (888) 771-7713

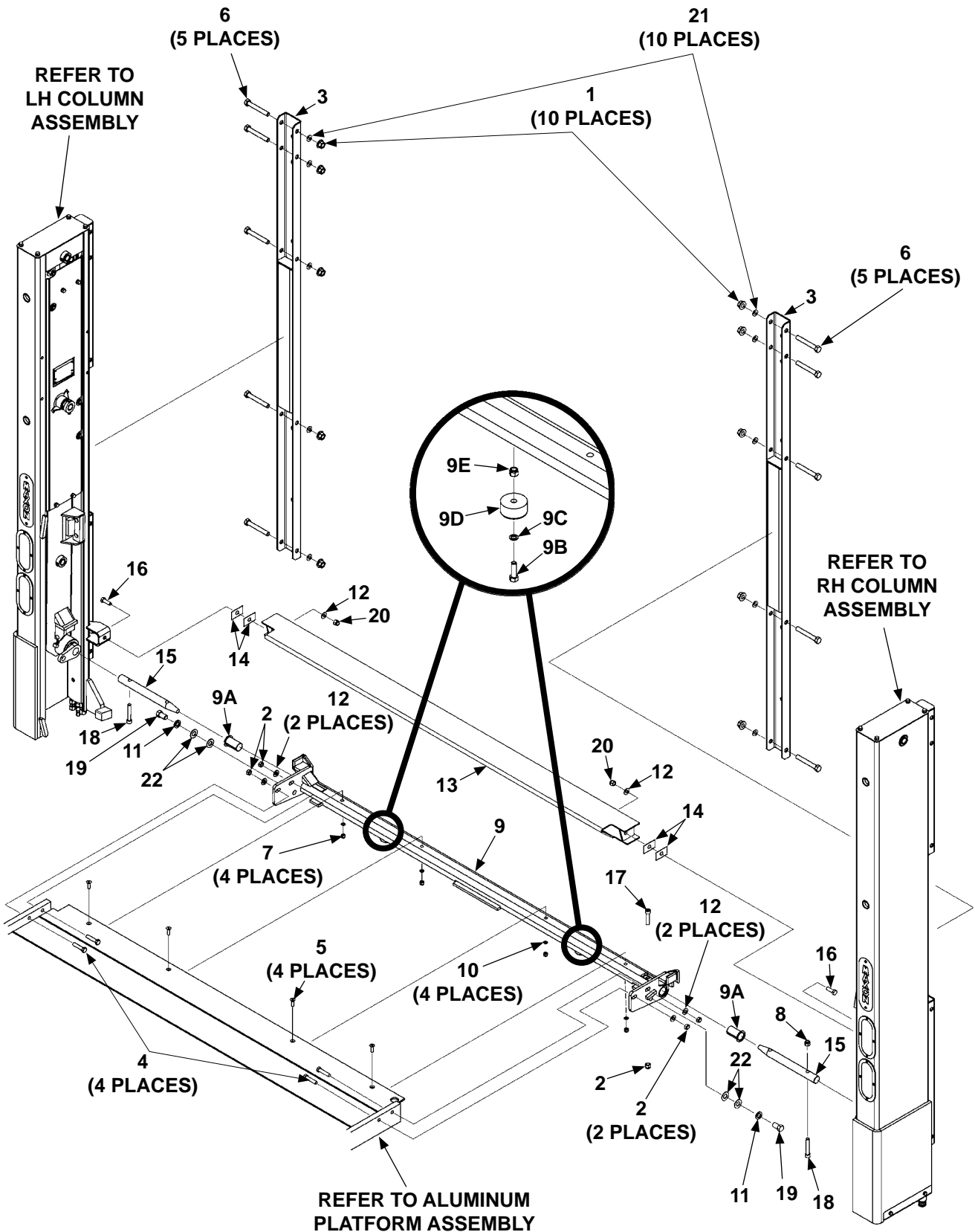


ITEM	QTY.	PART NO.	DESCRIPTION
1	10	901023-04	FLANGE LOCK NUT, 5/8"-11
2	1	040066	LOCK NUT, 1/2"-13
3	2	268055-01	CHANNEL (STAINLESS STEEL BRACKET)
		268055-02	CHANNEL (MILD STEEL BRACKET)
4	10	902013-15	FLAT WASHER, 5/8"
5	2	901010	NYLON LOCK NUT, 1/2"-13
6	10	900055-14	HEX HEAD SCREW, 5/8"-11 X 4-1/2" LG, GR8
7	2	900037-11	SOCKET HEAD CAP SCREW, 1/2"-13 X 2-1/4" LG, GR8
8	1	901008	NYLON LOCK NUT, 1/2"-20
9	2	260181	BOLT, 3/4"-10 X 1-1/4" LG.
10	4	902000-20	FLAT WASHER, 3/4"
11	2	902011-9	LOCK WASHER, 3/4"
12	6	902013-13	FLAT WASHER, 1/2"
13	1	268061-01	EXTENSION PLATE, 96" UNIT (STAINLESS STEEL)
		268061-02	EXTENSION PLATE, 102" UNIT (STAINLESS STEEL)
		268061-11	EXTENSION PLATE, 96" UNIT (MILD STEEL)
		268061-12	EXTENSION PLATE, 102" UNIT (MILD STEEL)
14	4	268129-01	SPACER, STAINLESS STEEL, 1/32" THICK
15	2	280103	PIN, 13" LG, STAINLESS STEEL
16	2	900035-3	HEX HEAD CAP SCREW, 1/2"-13 X 1-1/2" LG, GR8
17	1	900036-10	SOCKET HEAD CAP SCREW, 1/2"-20 X 3" LG, GR8

MAXON[®] 11921 Slauson Ave. Santa Fe Springs, CA. 90670 (800) 227-4116 FAX (888) 771-7713

MAIN FRAME & ATTACHING HARDWARE - ALUMINUM PLATFORM (WITH MOUNTING BRACKETS)

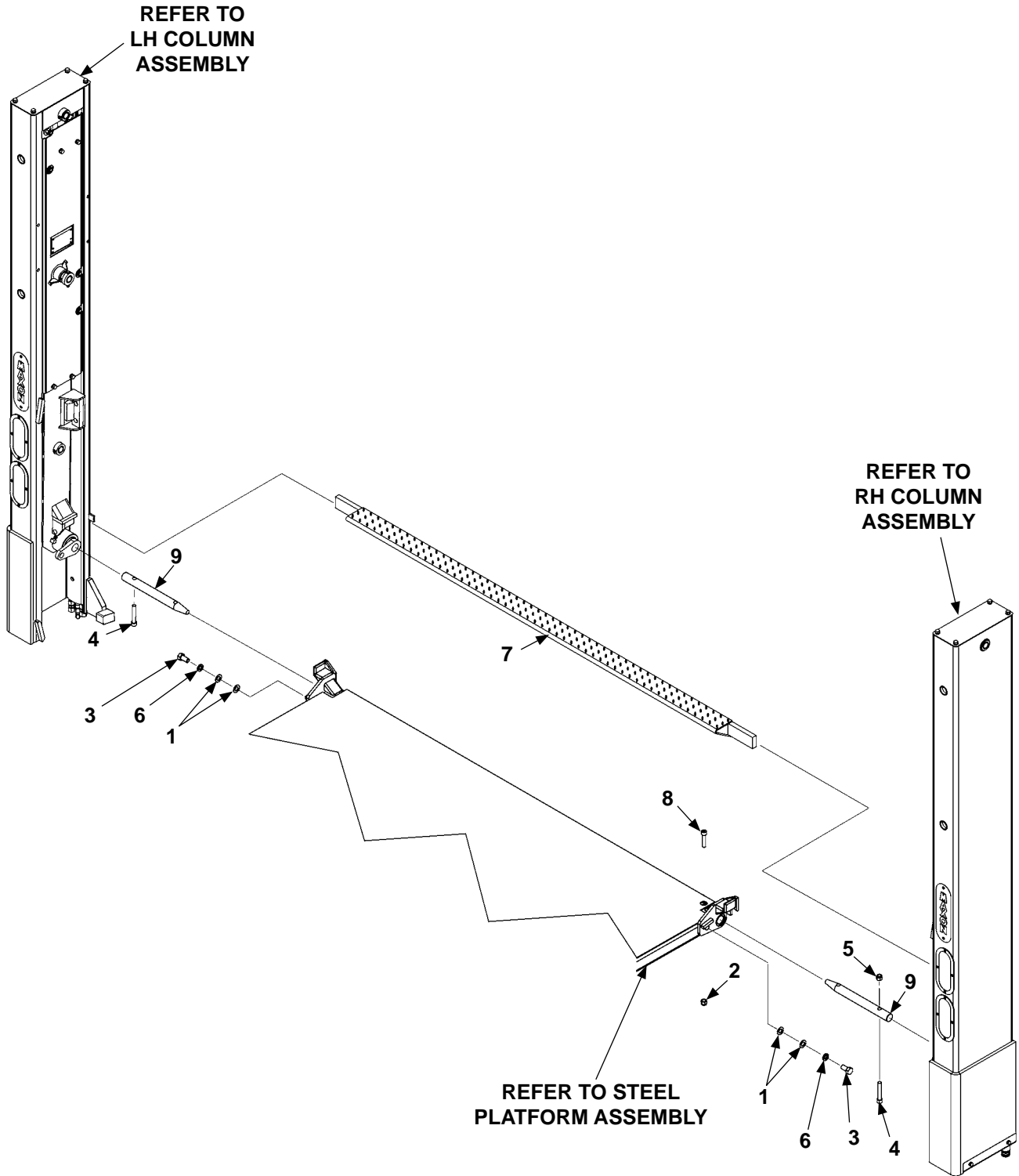
MAXON® 11921 Slauson Ave. Santa Fe Springs, CA. 90670 (800) 227-4116 FAX (888) 771-7713



ITEM	QTY.	PART NO.	DESCRIPTION
1	10	901023-04	FLANGE LOCK NUT, 5/8"-11
2	5	040066	LOCK NUT, 1/2"-13
3	2	268055-01	CHANNEL (STAINLESS STEEL BRACKET)
		268055-02	CHANNEL (MILD STEEL BRACKET)
4	4	900035-6	HEX HEAD CAP SCREW, 1/2"-13 X 2-1/4" LG, GR8
5	4	900040-5	SOCKET HEAD SCREW, FLAT, 3/8"-16 X 1-1/4" LG.
6	10	900055-14	HEX HEAD SCREW, 5/8"-11 X 4-1/2" LG, GR8
7	4	901002	NYLON LOCK NUT, 3/8"-16
8	1	901008	NYLON LOCK NUT, 1/2"-20
9	1	282622-01	CONNECTOR BAR ASSEMBLY, 96" WIDE
		282622-02	CONNECTOR BAR ASSEMBLY, 102" WIDE
9A	2	905200	BEARING, SELF LUBE, 2-1/4" I.D. X 2-1/2" LG.
9B	2	900014-5	HEX HEAD BOLT, 3/8"-16 X 1-1/4" LG.
9C	2	902000-10	FLAT WASHER, 3/8"
9D	2	253516	RUBBER BUMPER
9E	2	901002	NYLON LOCK NUT, 3/8"-16
10	4	902001-2	FLAT WASHER, 3/8"
11	2	902011-9	LOCK WASHER, 3/4"
12	6	902013-13	FLAT WASHER, 1/2"
13	1	268061-01	EXTENSION PLATE, 96" UNIT (STAINLESS STEEL)
		268061-02	EXTENSION PLATE, 102" UNIT (STAINLESS STEEL)
		268061-11	EXTENSION PLATE, 96" UNIT (MILD STEEL)
		268061-12	EXTENSION PLATE, 102" UNIT (MILD STEEL)
14	4	268129-01	SPACER, STAINLESS STEEL, 1/32" THICK
15	2	280103	PIN, 13" LG, STAINLESS STEEL
16	2	900035-3	HEX HEAD CAP SCREW, 1/2"-13 X 1-1/2" LG, GR8
17	1	900036-10	SOCKET HEAD CAP SCREW, 1/2"-20 X 3" LG, GR8
18	2	900037-11	SOCKET HEAD CAP SCREW, 1/2"-13 X 2-1/4" LG, GR8
19	2	260181	BOLT, 3/4"-10 X 1-1/4" LG.
20	2	901010	NYLON LOCK NUT, 1/2"-13
21	10	902013-15	FLAT WASHER, 5/8"
22	4	902000-20	FLAT WASHER, 3/4"

MAIN FRAME & ATTACHING HARDWARE - STEEL PLATFORM (WITHOUT MOUNTING BRACKETS)

MAXON[®] 11921 Slauson Ave. Santa Fe Springs, CA. 90670 (800) 227-4116 FAX (888) 771-7713

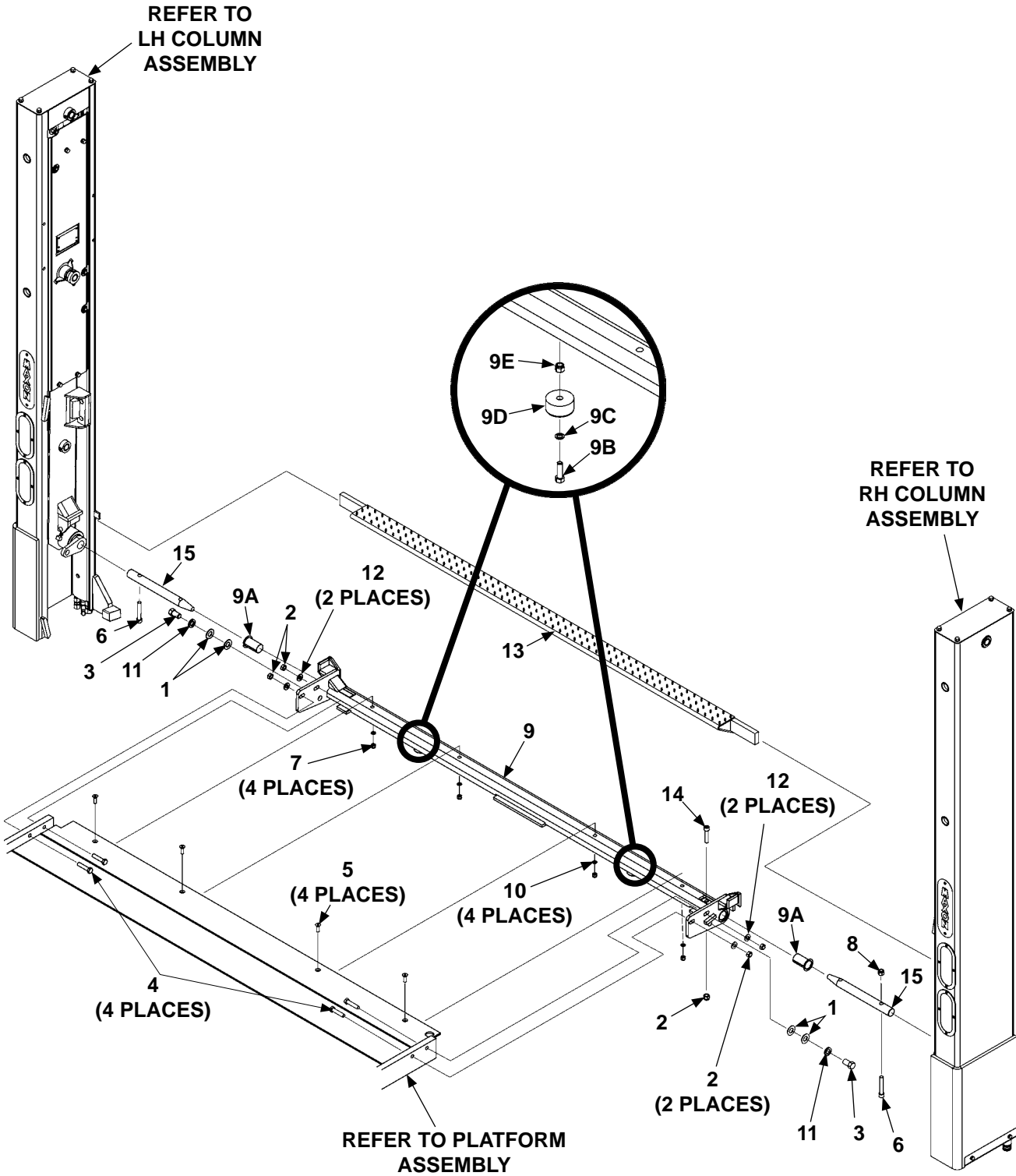


ITEM	QTY.	PART NO.	DESCRIPTION
1	4	902000-20	FLAT WASHER, 3/4"
2	1	040066	LOCK NUT, 1/2"-13
3	2	260181	BOLT, 3/4"-10 X 1-1/4" LG.
4	2	900037-11	SOCKET HEAD CAP SCREW, 1/2"-13 X 2-1/4" LG, GR8
5	1	901008	NYLON LOCK NUT, 1/2"-20
6	2	902011-9	LOCK WASHER, 3/4"
7	1	280340-01	EXTENSION PLATE, 96" UNIT
		280340-02	EXTENSION PLATE, 102" UNIT
8	1	900036-10	SOCKET HEAD CAP SCREW, 1/2"-20 X 3" LG, GR8
9	2	280103	PIN, 13" LG, STAINLESS STEEL

MAXON[®] 11921 Slauson Ave. Santa Fe Springs, CA. 90670 (800) 227-4116 FAX (888) 771-7713

MAIN FRAME & ATTACHING HARDWARE - ALUMINUM PLATFORM (WITHOUT MOUNTING BRACKETS)

MAXON[®] 11921 Slauson Ave. Santa Fe Springs, CA. 90670 (800) 227-4116 FAX (888) 771-7713



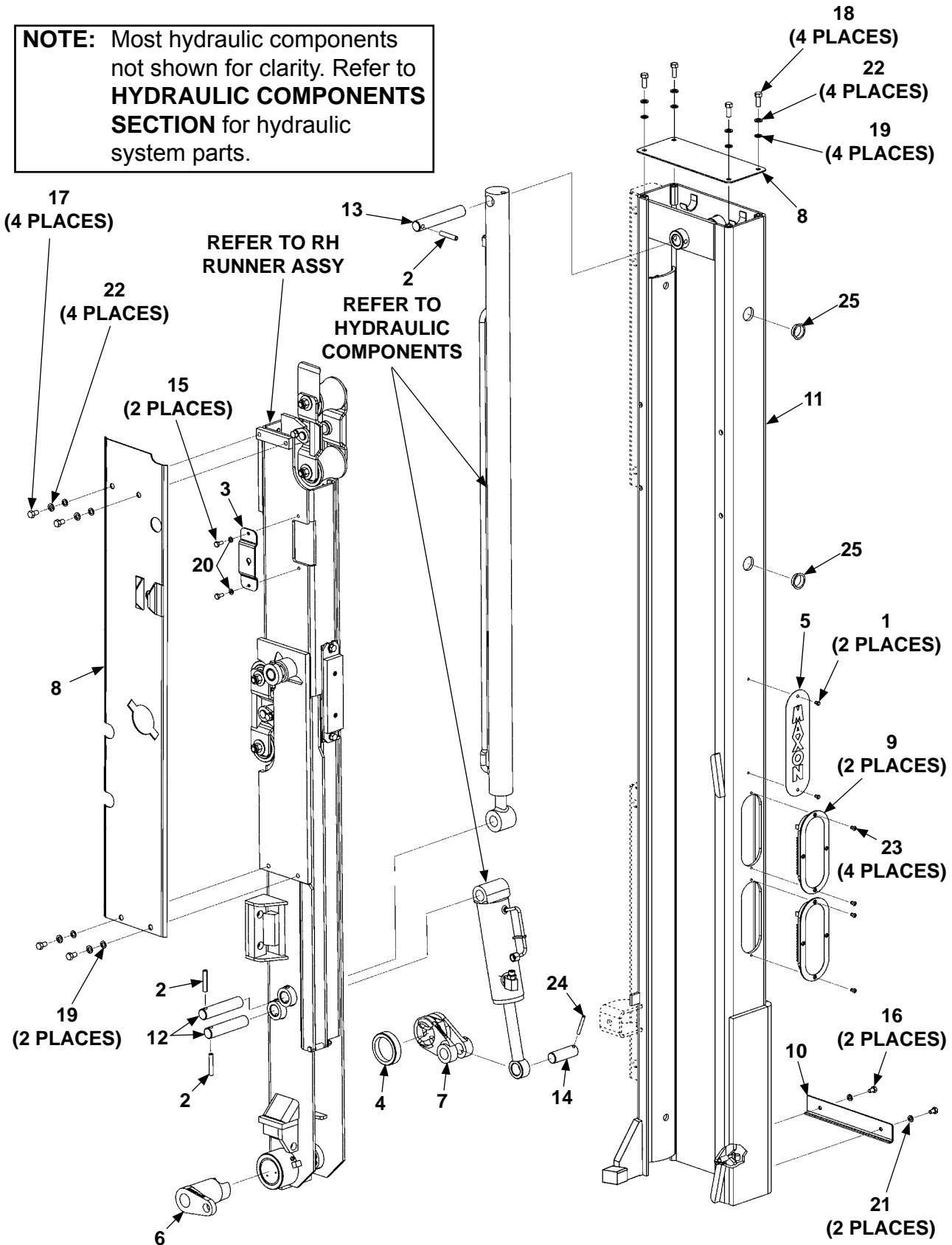
ITEM	QTY.	PART NO.	DESCRIPTION
1	4	902000-20	FLAT WASHER, 3/4"
2	5	040066	LOCK NUT, 1/2"-13
3	2	260181	BOLT, 3/4"-10 X 1-1/4" LG.
4	4	900035-6	HEX HEAD CAP SCREW, 1/2"-13 X 2-1/4" LG, GR8
5	4	900040-5	SOCKET HEAD SCREW, FLAT, 3/8"-16 X 1-1/4" LG.
6	2	900037-11	SOCKET HEAD CAP SCREW, 1/2"-13 X 2-1/4" LG, GR8
7	4	901002	NYLON LOCK NUT, 3/8"-16
8	1	901008	NYLON LOCK NUT, 1/2"-20
9	1	282622-01	CONNECTOR BAR ASSEMBLY, 96" WIDE
		282622-02	CONNECTOR BAR ASSEMBLY, 102" WIDE
9A	2	905200	BEARING, SELF LUBE, 2-1/4" I.D. X 2-1/2" LG.
9B	2	900014-5	HEX HEAD BOLT, 3/8"-16 X 1-1/4" LG.
9C	2	902000-10	FLAT WASHER, 3/8"
9D	2	253516	RUBBER BUMPER
9E	2	901002	NYLON LOCK NUT, 3/8"-16
10	4	902001-2	FLAT WASHER, 3/8"
11	2	902011-9	LOCK WASHER, 3/4"
12	4	902013-13	FLAT WASHER, 1/2"
13	1	280340-01	EXTENSION PLATE, 96" UNIT
		280340-02	EXTENSION PLATE, 102" UNIT
14	1	900036-10	SOCKET HEAD CAP SCREW, 1/2"-20 X 3" LG, GR8
15	2	280103	PIN, 13" LG, STAINLESS STEEL

MAXON[®] 11921 Slauson Ave. Santa Fe Springs, CA. 90670 (800) 227-4116 FAX (888) 771-7713

RH COLUMN ASSEMBLY

NOTE: Most hydraulic components not shown for clarity. Refer to **HYDRAULIC COMPONENTS SECTION** for hydraulic system parts.

MAXON® 11921 Slauson Ave. Santa Fe Springs, CA. 90670 (800) 227-4116 FAX (888) 771-7713

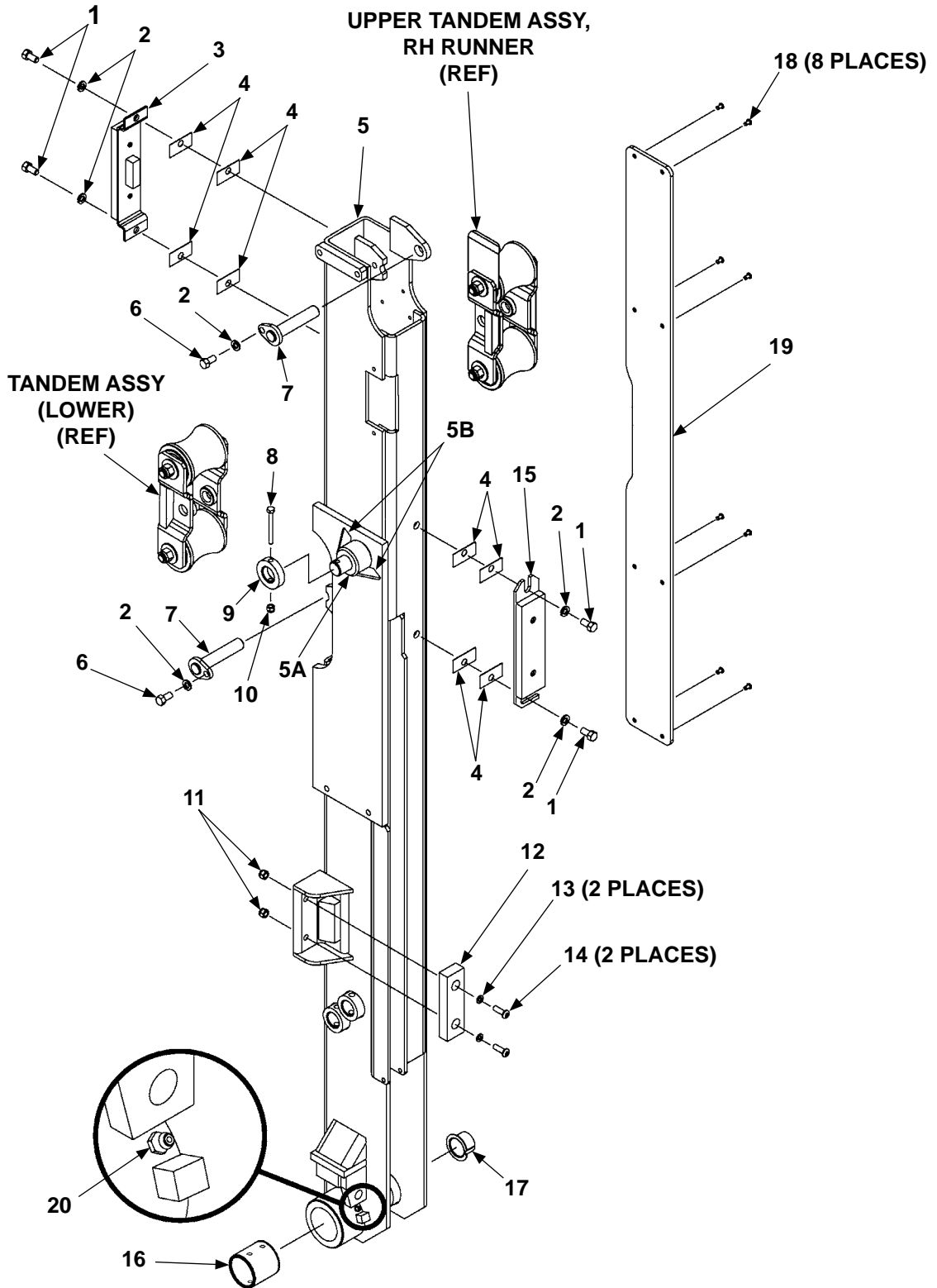


ITEM	QTY.	PART NO.	DESCRIPTION
REF	1	268063-01	COLUMN ASSEMBLY, RH, 35/44 (WITH MOUNTING TUBES)
		268063-02	COLUMN ASSEMBLY, RH, 55/66 (WITH MOUNTING TUBES)
		268374-01	COLUMN ASSEMBLY, RH, 35/44 (W/O MOUNTING TUBES)
		268374-02	COLUMN ASSEMBLY, RH, 55/66 (W/O MOUNTING TUBES)
1	2	207644	POP RIVET, 3/16" X 7/16" LG.
2	3	221416	ROLL PIN, 3/8" X 2" LG.
3	1	253694	SWITCH PLATE
4	1	253695	BUSHING
5	1	260478	MAXON VERTICAL PLATE, 3" X 10-1/8" LG.
6	1	260516-01	COUPLING OUTSIDE, MACHINED
7	1	260517	COUPLING INSIDE, CASTING
8	1	263114	COLUMN COVER
9	2	265924-01	LED LIGHT, OVAL, RED
10	1	268009-01	COVER
11	1	268065-01	COLUMN WELDMENT, RH (WITH MOUNTING TUBES)
		268372-01	COLUMN WELDMENT, RH (W/O MOUNTING TUBES)
12	2	268068-01	PIN, STAINLESS STEEL, 1" O.D. X 4-3/4" LG.
13	1	268068-02	PIN, STAINLESS STEEL, 1" O.D. X 5-7/8" LG.
14	1	268068-04	PIN, STAINLESS STEEL, 1" O.D. X 2-15/16" LG.
15	2	900000-1	BOLT, HEX, 1/4"-20 X 5/8" LG, GR8
16	2	900009-4	CAP SCREW, 5/16"-18 X 1/2" LG, GR8
17	4	900014-12	CAP SCREW, HEX, 3/8"-16 X 5/8" LG, GR8
18	4	900014-4	CAP SCREW, HEX, 3/8"-16 X 1" LG, GR8
19	8	902000-10	FLAT WASHER, 3/8"
20	2	902011-2	LOCK WASHER, 1/4"
21	2	902011-3	LOCK WASHER, 5/16", GR8
22	8	902011-4	LOCK WASHER, 3/8"
23	4	904005-2	POP RIVET, 3/16" X .565" LG.
24	1	905033-5	ROLL PIN, 1/4" X 2" LG.
25	2	260403	PLUG

RH RUNNER ASSEMBLY

MAXON

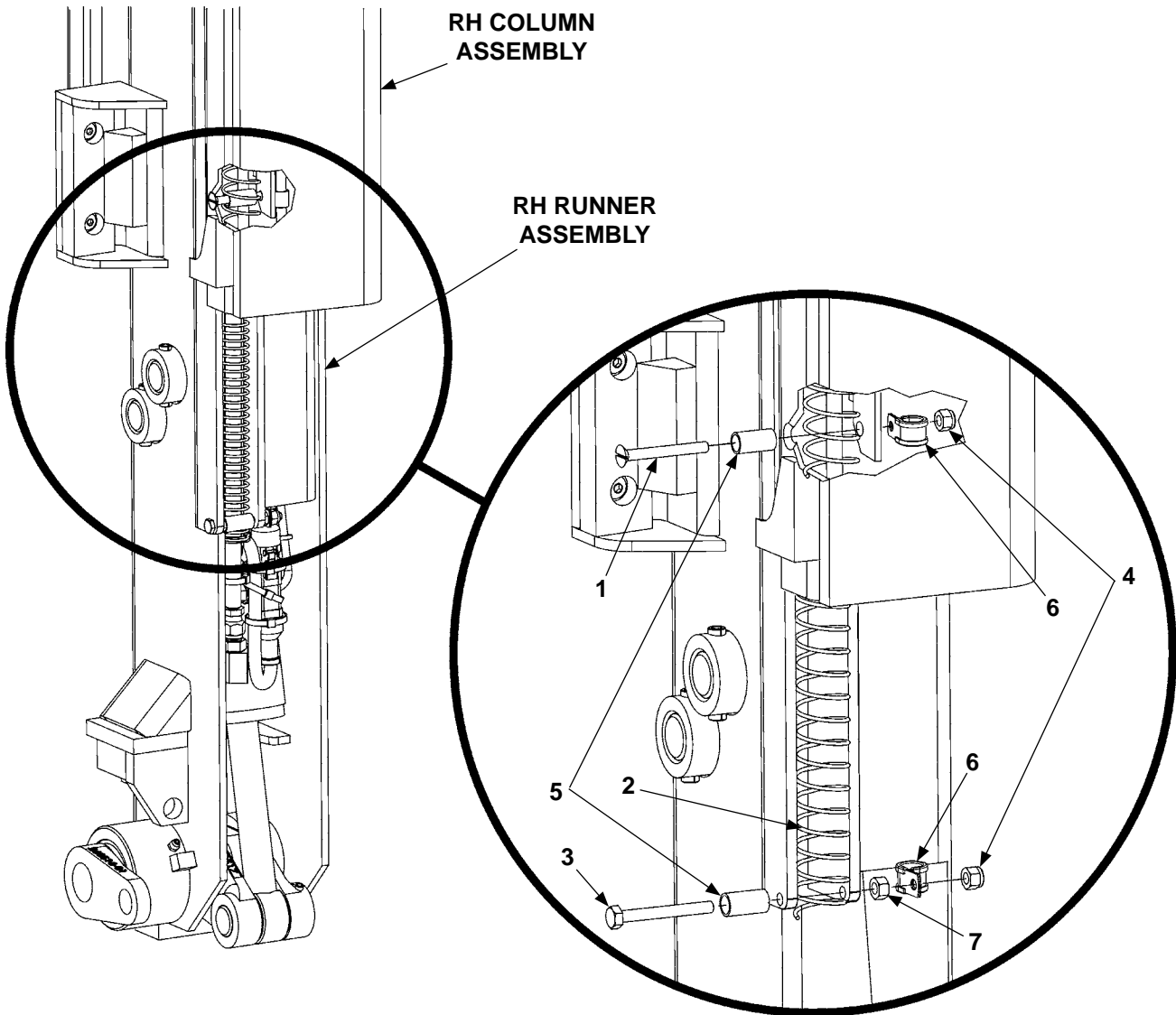
11921 Slauson Ave. Santa Fe Springs, CA. 90670 (800) 227-4116 FAX (888) 771-7713



ITEM	QTY.	PART NO.	DESCRIPTION
REF	1	280706-01	RH RUNNER ASSEMBLY
1	4	900014-12	HEX HEAD CAP SCREW, 3/8"-16 X 5/8" LG, GR8
2	6	902011-4	LOCK WASHER, 3/8"
3	1	263221	UPPER PAD SUPPORT ASSEMBLY
4	A/R	263030	SPACER
5	1	280704-01	RH RUNNER
5A	1	253614	CHAIN BRACKET WELDMENT
5B	2	253645	GUSSET, CHAIN BRACKET
6	2	900014-3	HEX HEAD CAP SCREW, 3/8" - 16 X 3/4" LG, GR8
7	2	280067	ARM WELDMENT
8	1	900000-10	BOLT, 1/4"-20 X 2-1/2" LG, GR8
9	1	253615	PIN COLLAR, 1/2"
10	1	901000	NYLON LOCK NUT, 1/4"-20
11	2	901001	NYLON LOCK NUT, 5/16"-18
12	1	225278-02	RUBBER BUMPER
13	2	902013-10	FLAT WASHER, 5/16"
14	2	900001-4	BUTTON HEAD SCREW, 5/16"-18 X 1-1/4" LG.
15	1	263225	LOWER PAD SUPPORT ASSEMBLY
16	1	908011-01	BEARING, SELF LUBE, 2-1/2" DIA. X 2-1/8" LG.
17	1	253595	BEARING, SELF LUBE, 1-1/4" DIA. X 1" LG.
18	8	207644	POP RIVET, 3/16" X 7/16" LG.
19	1	253543	PAD
20	1	224342	GREASE FITTING, 1/4"

NOTE: A/R means As Required.

SPRING GUARD MOUNTING

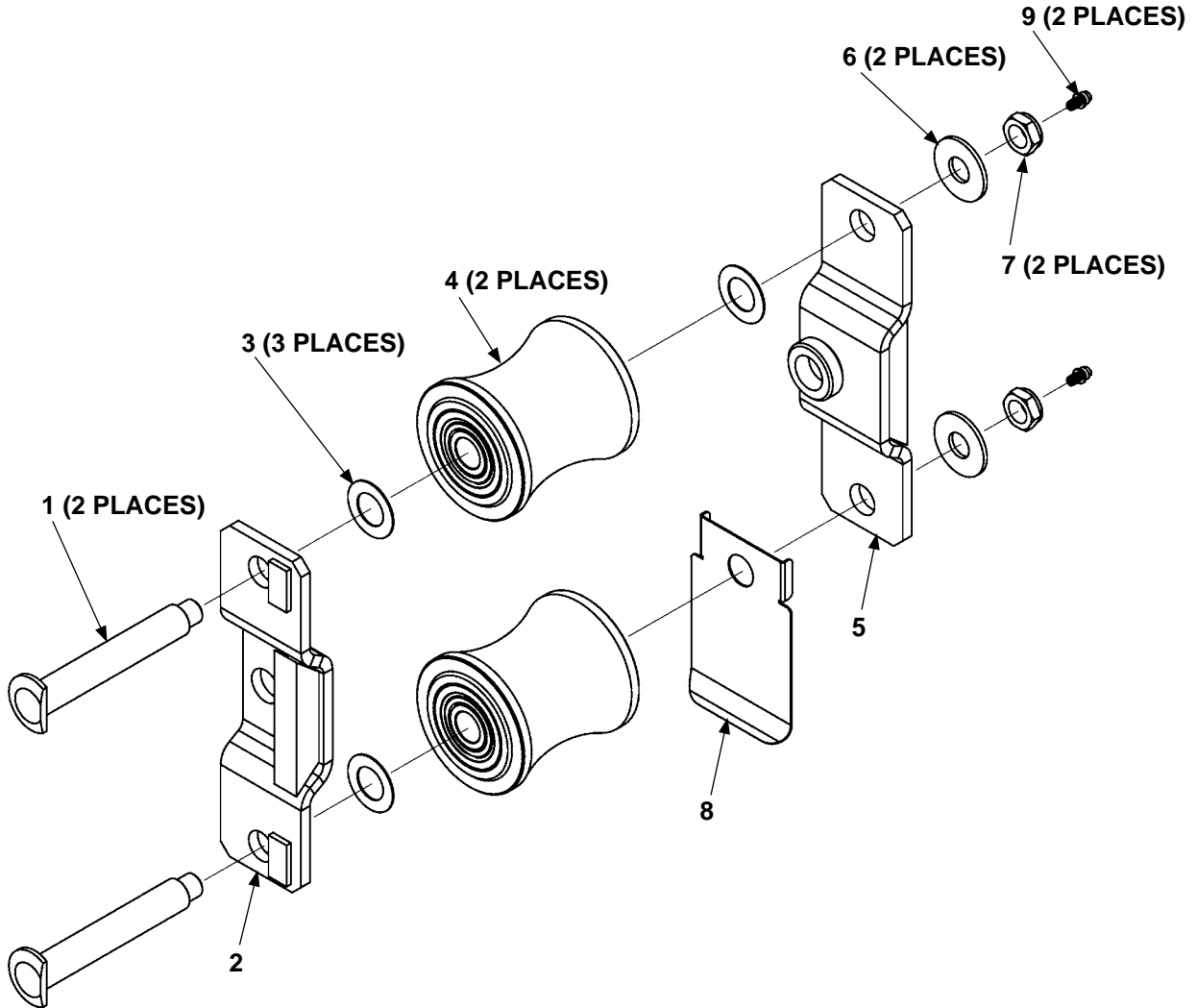


ITEM	QTY.	PART NO.	DESCRIPTION
1	1	260299	FLAT HEAD SCREW, 1/4"-20 X 2-1/4" LG.
2	1	253603-01	SPRING GUARD, 40" LG.
3	1	900000-10	HEX HEAD BOLT, 1/4"-20 X 2-1/2" LG, GR8
4	2	901000	NYLON LOCK NUT, 1/4"-20
5	2	253621	BUSHING, 1/2" DIA. X 15/16" LG.
6	2	214663	CLAMP, #8 RUBBER LOOM
7	1	901011-1	NUT HEX, 1/4"-20

MAXON[®]

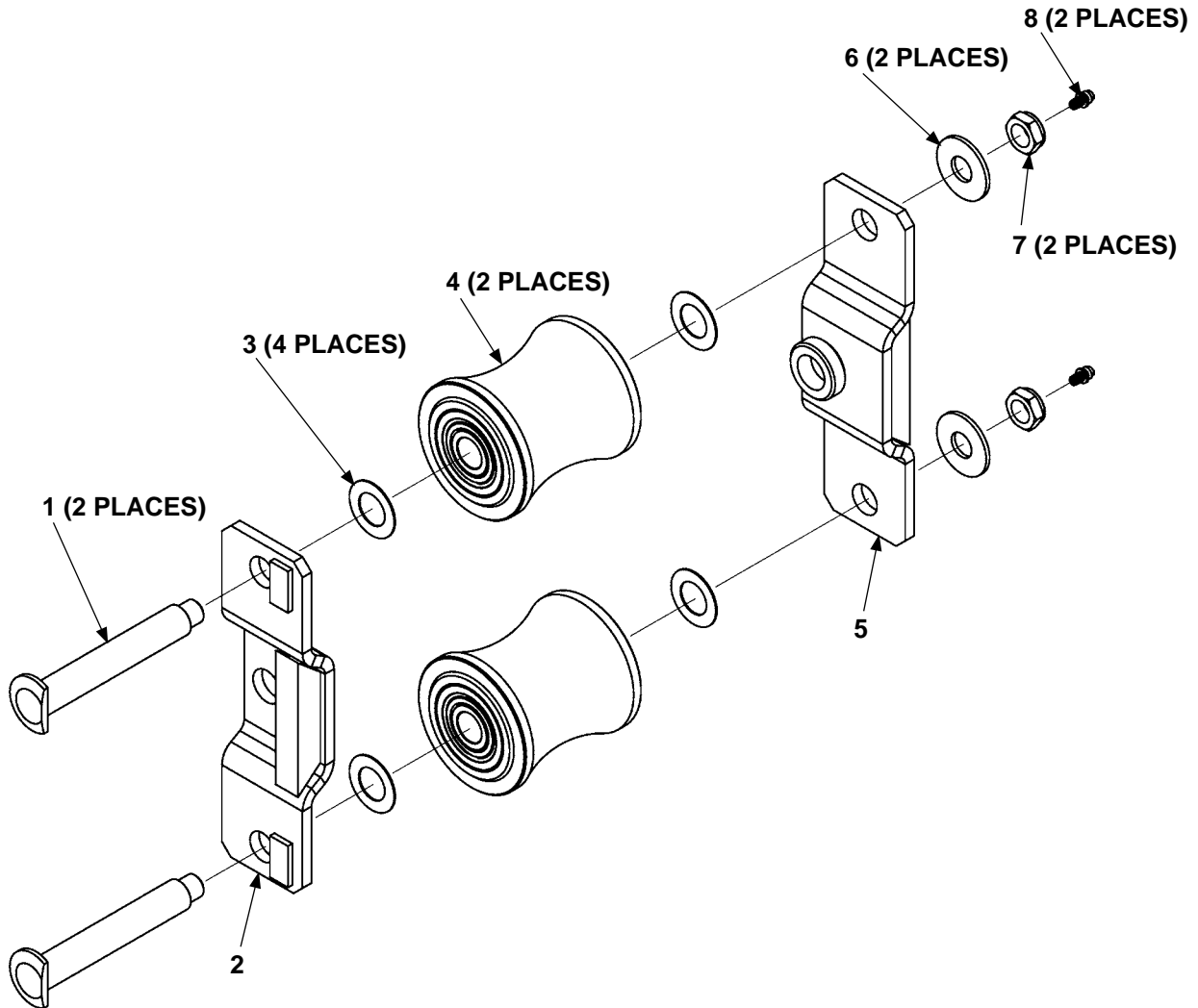
11921 Slauson Ave. Santa Fe Springs, CA. 90670 (800) 227-4116 FAX (888) 771-7713

UPPER TANDEM ASSEMBLY, RH RUNNER



ITEM	QTY.	PART NO.	DESCRIPTION
REF	1	268866-03	UPPER TANDEM ASSEMBLY, RH RUNNER
1	2	268898-01	ROLLER AXLE
2	1	280064	ROLLER BRACKET
3	3	261182	FLAT WASHER, .72" I.D. X 1-1/4" O.D. STAINLESS STEEL
4	2	268899-01	ROLLER
5	1	280063	ROLLER BRACKET
6	2	902014	FLAT WASHER, 5/8" I.D. X 1-3/8" O.D.
7	2	901016-1	LOCK NUT, THIN HEAD, 1/2"-20
8	1	280851-01	ROLLER COVER
9	2	268264-02	GREASE FITTING, DRIVE-IN, 3/16"

TANDEM ASSEMBLY (LOWER - RH & LH RUNNERS)



ITEM	QTY.	PART NO.	DESCRIPTION
REF	1	268866-01	TANDEM ASSEMBLY (LOWER)
1	2	268898-01	ROLLER AXLE
2	1	280064	ROLLER BRACKET
3	4	261182	FLAT WASHER, .72" I.D. X 1-1/4" O.D. STAINLESS STEEL
4	2	268899-01	ROLLER
5	1	280063	ROLLER BRACKET
6	2	902014	FLAT WASHER, 5/8" I.D. X 1-3/8" O.D.
7	2	901016-1	LOCK NUT, THIN HEAD, 1/2"-20
8	2	268264-02	GREASE FITTING, DRIVE-IN, 3/16"

MAXON[®]

11921 Slauson Ave. Santa Fe Springs, CA. 90670 (800) 227-4116 FAX (888) 771-7713

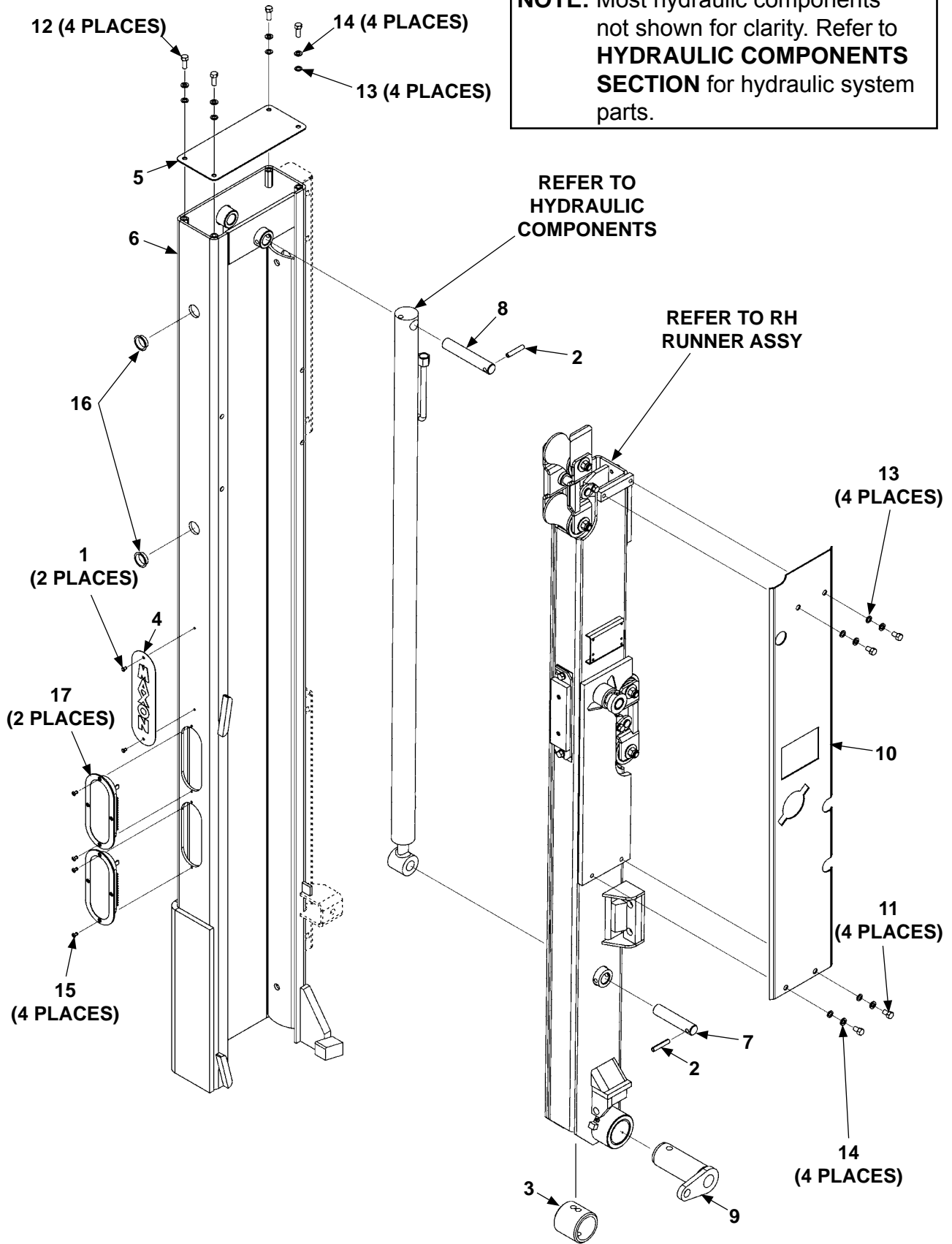
THIS PAGE INTENTIONALLY LEFT BLANK

LH COLUMN ASSEMBLY

MAXON

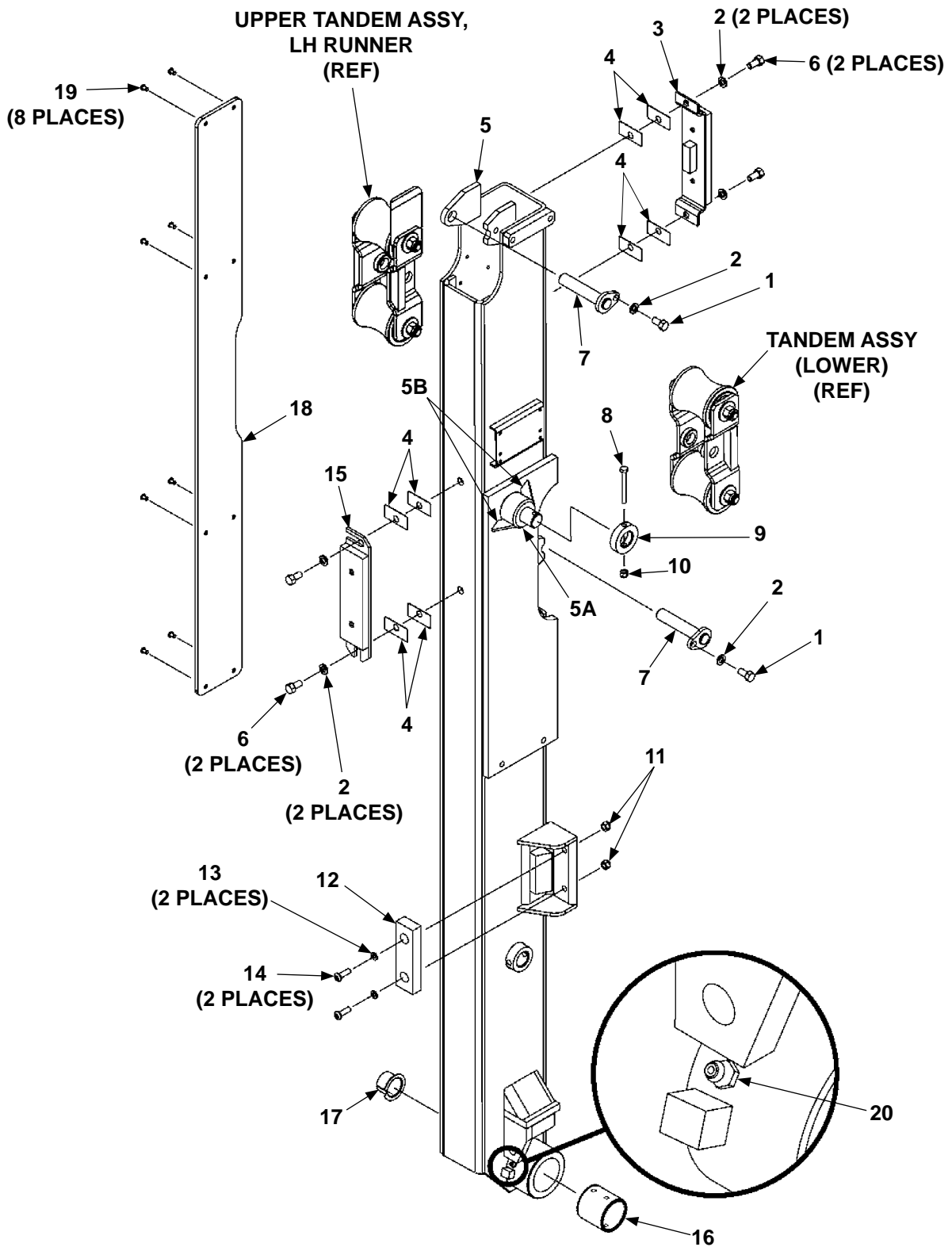
11921 Slauson Ave. Santa Fe Springs, CA. 90670 (800) 227-4116 FAX (888) 771-7713

NOTE: Most hydraulic components not shown for clarity. Refer to **HYDRAULIC COMPONENTS SECTION** for hydraulic system parts.



ITEM	QTY.	PART NO.	DESCRIPTION
REF	1	268062-01	COLUMN ASSEMBLY, LH, 35/44 (WITH MOUNTING TUBES)
		268062-02	COLUMN ASSEMBLY, LH, 55/66 (WITH MOUNTING TUBES)
		268373-01	COLUMN ASSEMBLY, LH, 35/44 (W/O MOUNTING TUBES)
		268373-02	COLUMN ASSEMBLY, LH, 55/66 (W/O MOUNTING TUBES)
1	2	207644	POP RIVET, 3/16" X .402" LG.
2	2	221416	ROLL PIN, 3/8" X 2" LG.
3	1	253696	PIN COLLAR, 2-3/4" LG.
4	1	260478	MAXON VERTICAL PLATE, 3" X 10-1/8" LG.
5	1	263114	COLUMN COVER
6	1	268064-01	COLUMN WELDMENT, LH
7	1	268068-01	PIN, STAINLESS STEEL, 1" O.D. X 4-3/4" LG.
8	1	268068-02	PIN, STAINLESS STEEL, 1" O.D. X 5-7/8" LG.
9	1	280623-01	COUPLING LH, MACHINED
10	1	280666-01	COLUMN COVER, LH
11	4	900014-12	CAP SCREW, HEX, 3/8"-16 X 5/8" LG, GR8
12	4	900014-4	CAP SCREW, HEX, 3/8"-16 X 1" LG, GR8
13	8	902000-10	FLAT WASHER, 3/8"
14	8	902011-4	LOCK WASHER, 3/8"
15	4	904005-2	POP RIVET, 3/16" X .565" LG.
16	2	260403	PLUG
17	2	265924-01	LED LIGHT, OVAL, RED

LH RUNNER ASSEMBLY



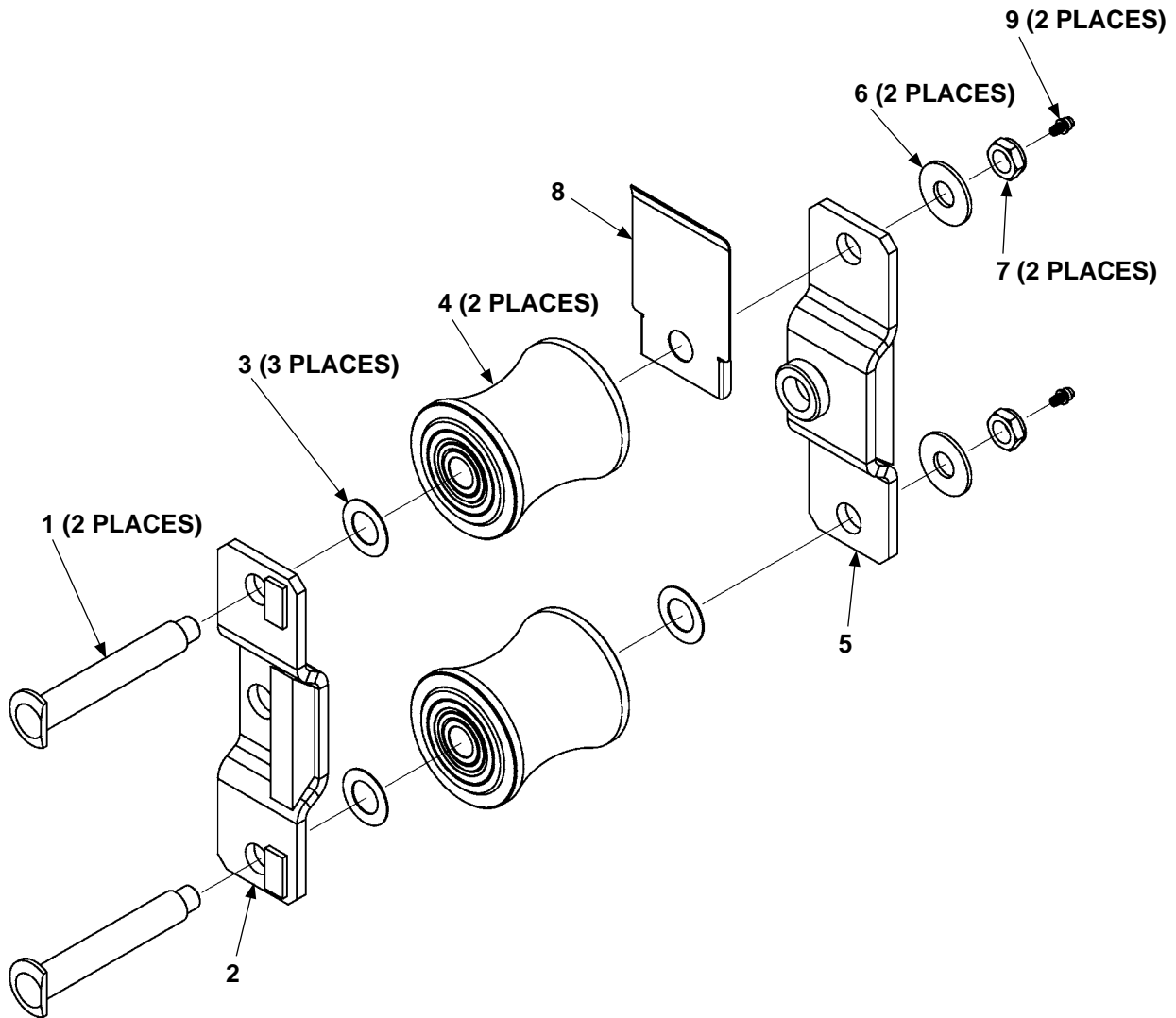
MAXON

11921 Slauson Ave. Santa Fe Springs, CA. 90670 (800) 227-4116 FAX (888) 771-7713

ITEM	QTY.	PART NO.	DESCRIPTION
REF	1	280705-01	LH RUNNER ASSEMBLY
1	2	900014-3	HEX HEAD CAP SCREW, 3/8"-16 X 3/4" LG, GR8
2	6	902011-4	LOCK WASHER, 3/8"
3	1	263221	UPPER PAD SUPPORT ASSEMBLY
4	A/R	263030	SPACER
5	1	280703-01	LH RUNNER
5A	1	253614	CHAIN BRACKET WELDMENT
5B	2	253645	GUSSET, CHAIN BRACKET
6	4	900014-12	HEX HEAD CAP SCREW, 3/8"-16 X 5/8" LG, GR8
7	2	280067	ARM WELDMENT
8	1	900000-10	HEX HEAD BOLT, 1/4"-20 X 2-1/2" LG, GR8
9	1	253615	PIN COLLAR, 1/2"
10	1	901000	NYLON LOCK NUT, 1/4"-20
11	2	901001	NYLON LOCK NUT, 5/16"-18
12	1	225278-02	RUBBER BUMPER
13	2	902013-10	FLAT WASHER, 5/16"
14	2	900001-4	BUTTON HEAD SCREW, 5/16"-18 X 1-1/4" LG.
15	1	263225	LOWER PAD SUPPORT ASSEMBLY
16	1	908011-01	BEARING, SELF LUBE, 2.50" DIA. X 2-1/8" LG.
17	1	253595	BEARING, SELF LUBE, 1-1/4" DIA. X 1" LG.
18	1	253543	PAD
19	8	207644	POP RIVET, 3/16" X 7/16" LG.
20	1	224342	GREASE FITTING 1/4"

NOTE: A/R means As Required.

UPPER TANDEM ASSEMBLY, LH RUNNER



ITEM	QTY.	PART NO.	DESCRIPTION
REF	1	268866-02	UPPER TANDEM ASSEMBLY, LH RUNNER
1	2	268898-01	ROLLER AXLE
2	1	280064	ROLLER BRACKET
3	3	261182	FLAT WASHER, .72" I.D. X 1-1/4" O.D. STAINLESS STEEL
4	2	268899-01	ROLLER
5	1	280063	ROLLER BRACKET
6	2	902014	FLAT WASHER, 5/8" I.D. X 1-3/8" O.D.
7	2	901016-1	LOCK NUT, THIN HEAD, 1/2"-20
8	1	280851-01	ROLLER COVER
9	2	268264-02	GREASE FITTING, DRIVE-IN, 3/16"

MAXON[®]

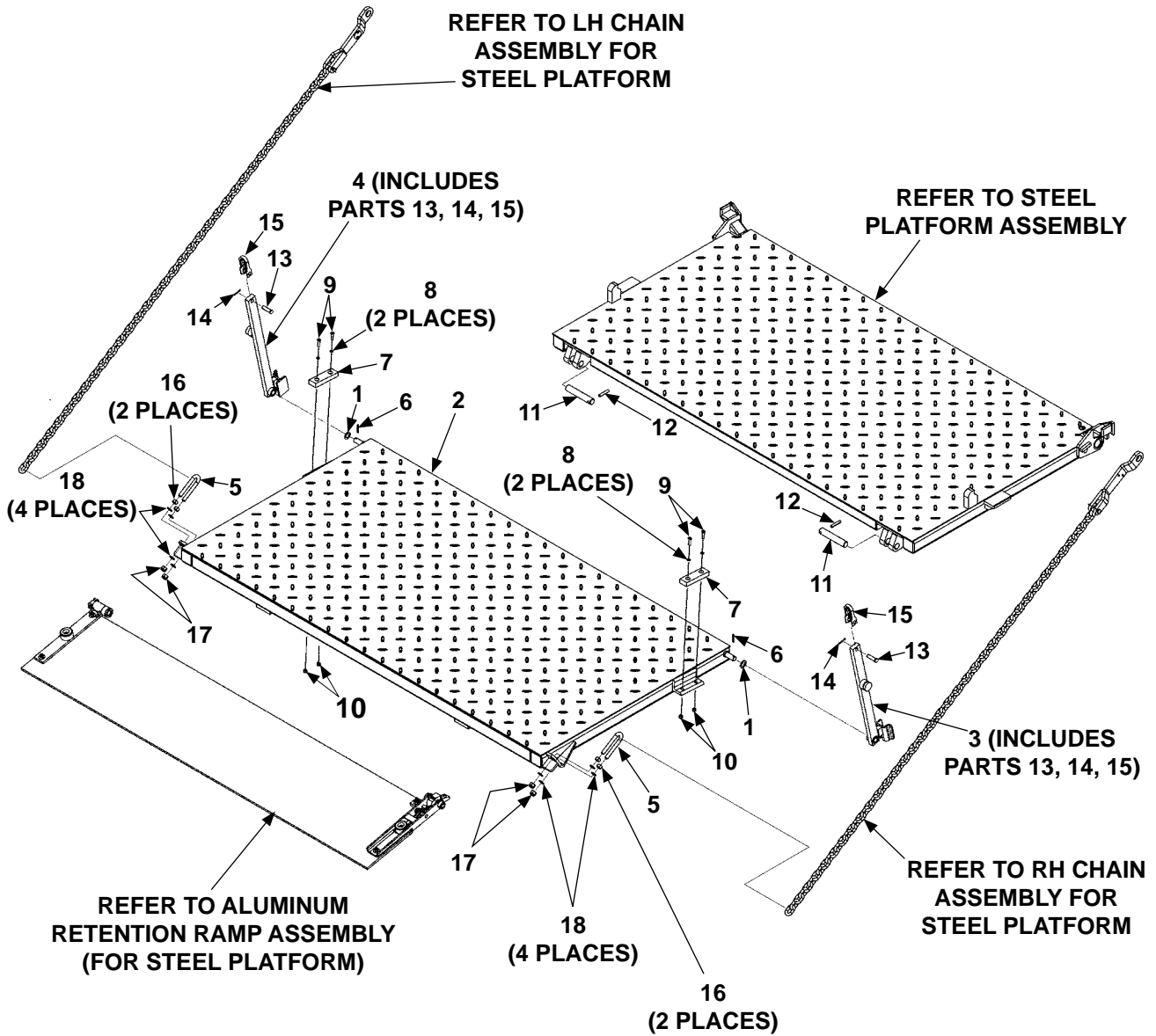
11921 Slauson Ave. Santa Fe Springs, CA. 90670 (800) 227-4116 FAX (888) 771-7713

THIS PAGE INTENTIONALLY LEFT BLANK

PLATFORM, FLIPOVER, AND CHAIN ASSEMBLY - 1 (STEEL)

MAXON[®]

11921 Slauson Ave. Santa Fe Springs, CA. 90670 (800) 227-4116 FAX (888) 771-7713

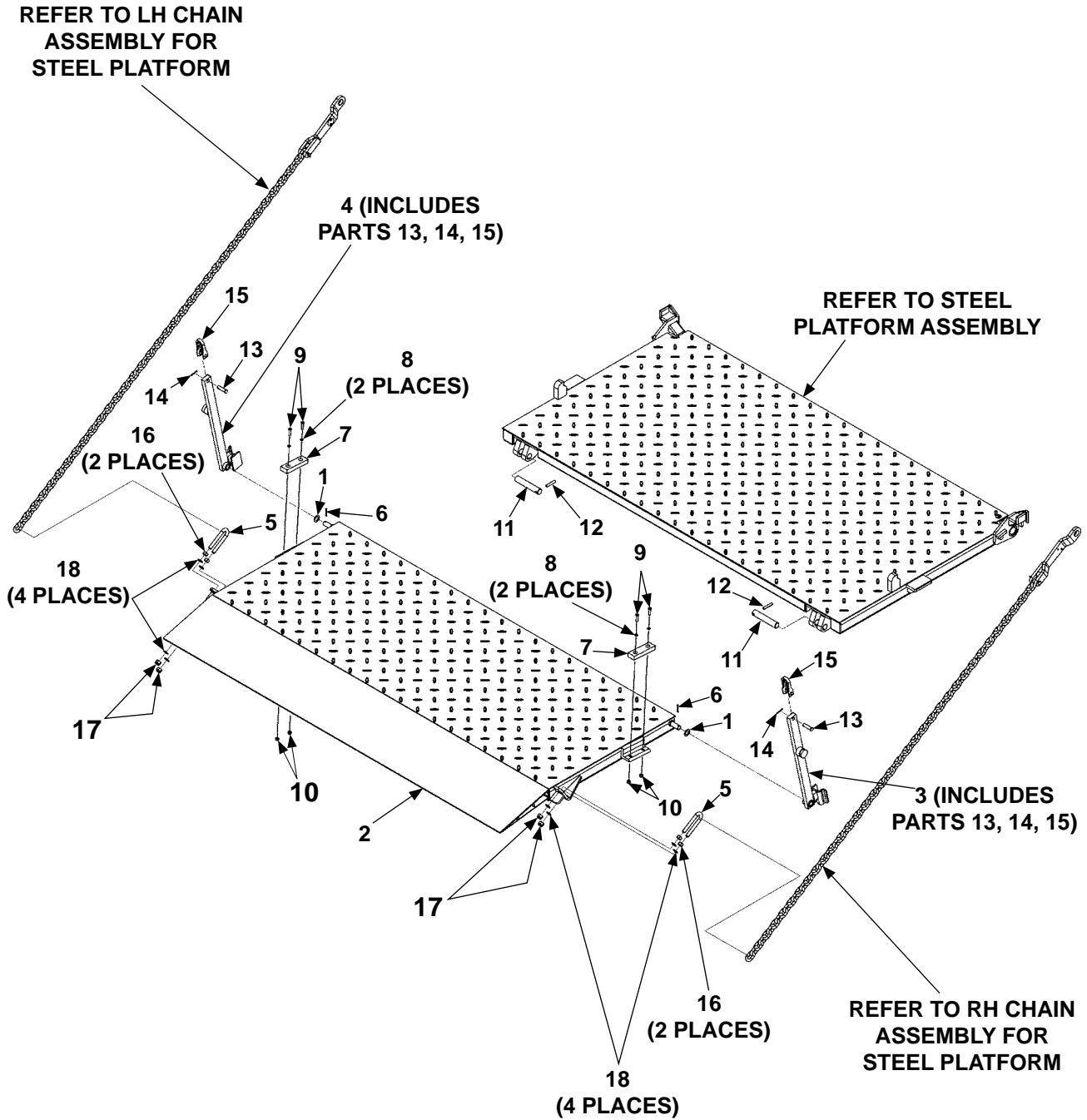


ITEM	QTY.	PART NO.	DESCRIPTION
1	2	261685	FLAT WASHER, 3/4" I.D. STAINLESS STEEL
2	1	282868-03	FLIPOVER, 80"W X 42"D (BMRSD 55-66, 96" WIDE VEHICLE)
		282868-06	FLIPOVER, 86"W X 42"D (BMRSD 55-66, 102" WIDE VEHICLE)
		282868-09	FLIPOVER, 80"W X 42"D (BMRSD 35-44, 96" WIDE VEHICLE)
		282868-12	FLIPOVER, 86"W X 42"D (BMRSD 35-44, 102" WIDE VEHICLE)
3	1	280030-06	OPENER ASSEMBLY RH, 42" + 42" *
		280030-10	OPENER ASSEMBLY RH, 42" + 30" *
4	1	280030-05	OPENER ASSEMBLY LH, 42" + 42" *
		280030-09	OPENER ASSEMBLY LH, 42" + 30" *
5	2	282854-01	U-BOLT
6	2	905015-3	ROLL PIN, 3/16" X 1-1/2" LG.
7	2	225278-02	BUMPER
8	4	902013-10	FLAT WASHER, 5/16"
9	4	900001-4	BUTTON HEAD SCREW, 5/16"-18 X 1-1/4" LG.
10	4	901001	NYLON LOCK NUT, 5/16"-18
11	2	268068-03	PIN, STAINLESS STEEL 5-1/2" LG.
12	2	221416	ROLL PIN, 3/8" X 2" LG.
13	2	905136-01	CLEVIS PIN, 1/2" X 1-7/8" LG, GR8
14	2	030805	COTTER PIN, 1/8" X 1" LG.
15	2	280644-01	ANCHOR SHACKLE
16	4	901011-9	NUT, 1/2"
17	4	901010	NYLON LOCK NUT, 1/2"-13
18	8	902000-14	FLAT WASHER, 1/2"

* PLATFORM + FLIPOVER DEPTH

PLATFORM, FLIPOVER, AND CHAIN ASSEMBLY - 2 (STEEL)

MAXON[®] 11921 Slauson Ave. Santa Fe Springs, CA. 90670 (800) 227-4116 FAX (888) 771-7713



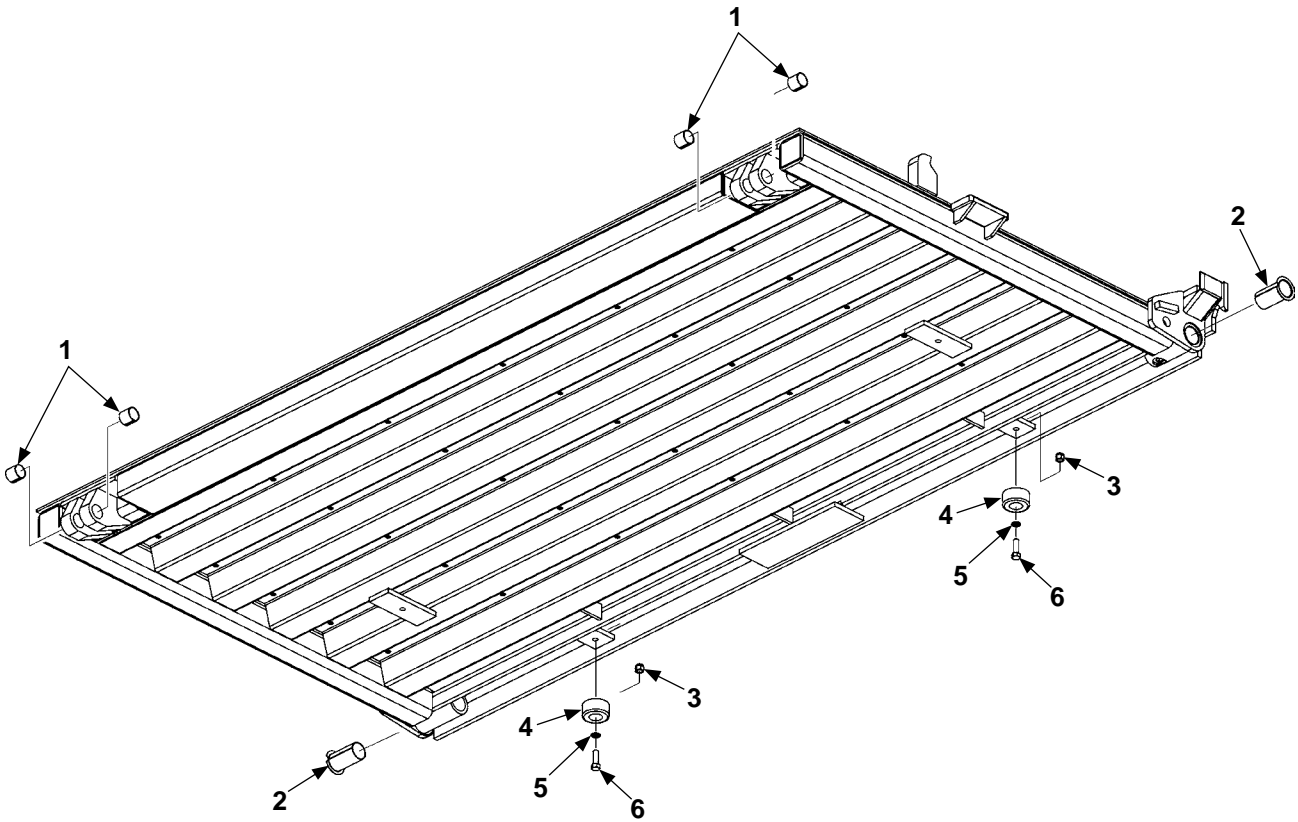
ITEM	QTY.	PART NO.	DESCRIPTION
1	2	261685	FLAT WASHER, 3/4" I.D. STAINLESS STEEL
2	1	282873-607	FLIPOVER, 80"W X 30"D + 12 FIX RAMP (BMRSD 55-66, 96" WIDE VEHICLE)
		282873-617	FLIPOVER, 86"W X 30"D + 12 FIX RAMP (BMRSD 55-66, 102" WIDE VEHICLE)
		282873-407	FLIPOVER, 80"W X 30"D + 12 FIX RAMP (BMRSD 35-44, 96" WIDE VEHICLE)
		282873-417	FLIPOVER, 86"W X 30"D + 12 FIX RAMP (BMRSD 35-44, 102" WIDE VEHICLE)
3	1	280030-06	OPENER ASSEMBLY RH, 42" + 42" *
		280030-10	OPENER ASSEMBLY RH, 42" + 30" *
4	1	280030-05	OPENER ASSEMBLY LH, 42" + 42" *
		280030-09	OPENER ASSEMBLY LH, 42" + 30" *
5	2	282854-01	U-BOLT
6	2	905015-3	ROLL PIN, 3/16" X 1-1/2" LG.
7	2	225278-02	BUMPER
8	4	902013-10	FLAT WASHER, 5/16"
9	4	900001-4	BUTTON HEAD SCREW, 5/16"-18 X 1-1/4" LG.
10	4	901001	NYLON LOCK NUT, 5/16"-18
11	2	268068-03	PIN, STAINLESS STEEL 5-1/2" LG.
12	2	221416	ROLL PIN, 3/8" X 2" LG.
13	2	905136-01	CLEVIS PIN, 1/2" X 1-7/8" LG, GR8
14	2	030805	COTTER PIN, 1/8" X 1" LG.
15	2	280644-01	ANCHOR SHACKLE
16	4	901011-9	NUT, 1/2"
17	4	901010	NYLON LOCK NUT, 1/2"-13
18	8	902000-14	FLAT WASHER, 1/2"

* PLATFORM + FLIPOVER DEPTH

PLATFORM ASSEMBLY (STEEL)

MAXON[®]

11921 Slauson Ave. Santa Fe Springs, CA. 90670 (800) 227-4116 FAX (888) 771-7713

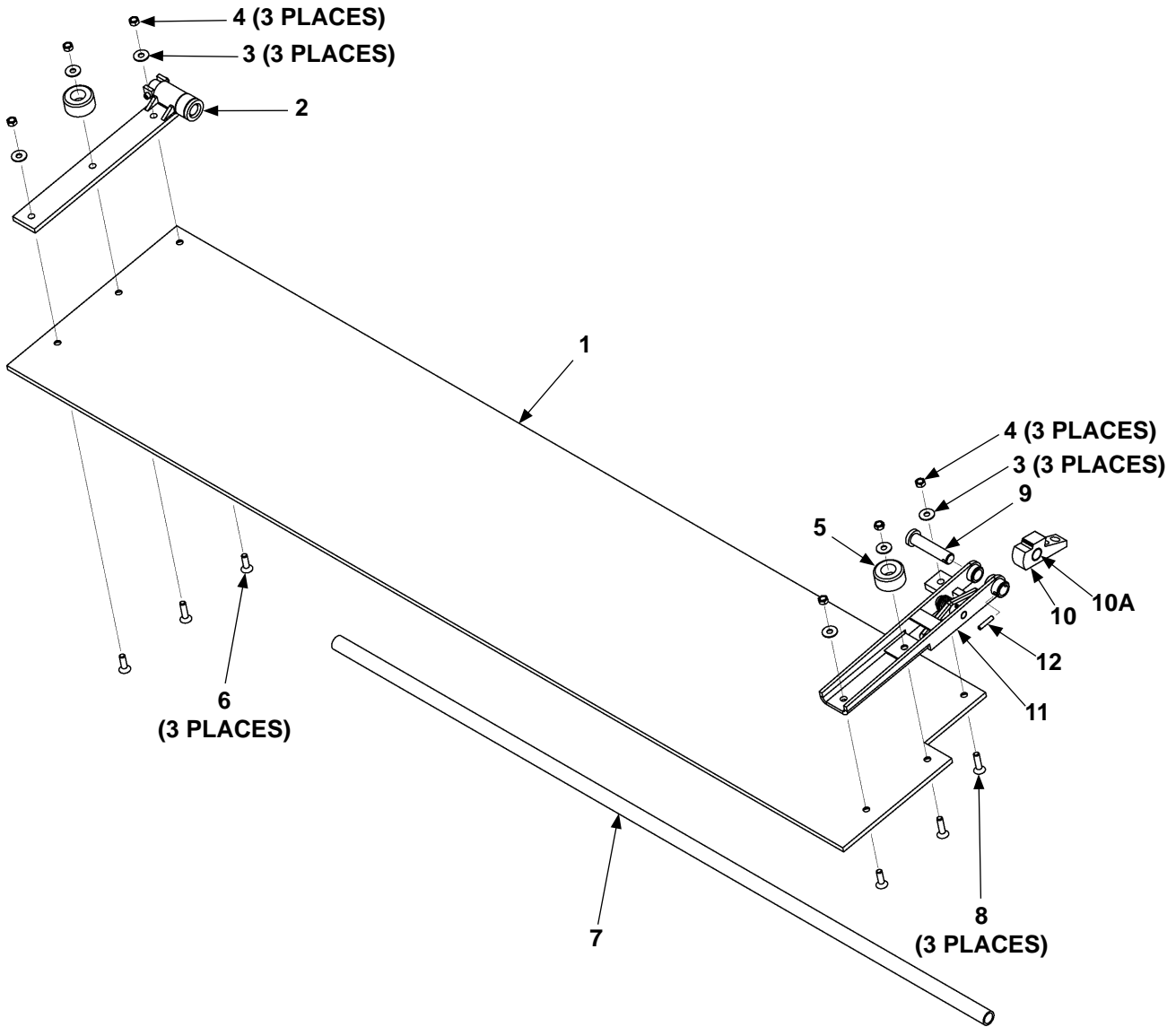


ITEM	QTY.	PART NO.	DESCRIPTION
REF	1	282600-603	PLATFORM, 80"W X 42"D (BMR 55-66, 96" WIDE VEHICLE)
		282600-613	PLATFORM, 86"W X 42"D (BMR 55-66, 102" WIDE VEHICLE)
		282600-403	PLATFORM, 80"W X 42"D (BMR 35-44, 96" WIDE VEHICLE)
		282600-413	PLATFORM, 86"W X 42"D (BMR 35-44, 102" WIDE VEHICLE)
1	4	253657	BEARING, SELF LUBE, 1" DIA. X 1" LG.
2	2	905200	BEARING, SELF LUBE, 2-1/4" DIA. X 2-1/2" LG.
3	2	901002	NYLON LOCK NUT, 3/6"-16
4	2	253516	RUBBER BUMPER
5	2	902000-10	FLAT WASHER, 3/8"
6	2	900014-5	HEX HEAD BOLT, 3/8"-16 X 1-1/4" LG.

MAXON[®] 11921 Slauson Ave. Santa Fe Springs, CA. 90670 (800) 227-4116 FAX (888) 771-7713

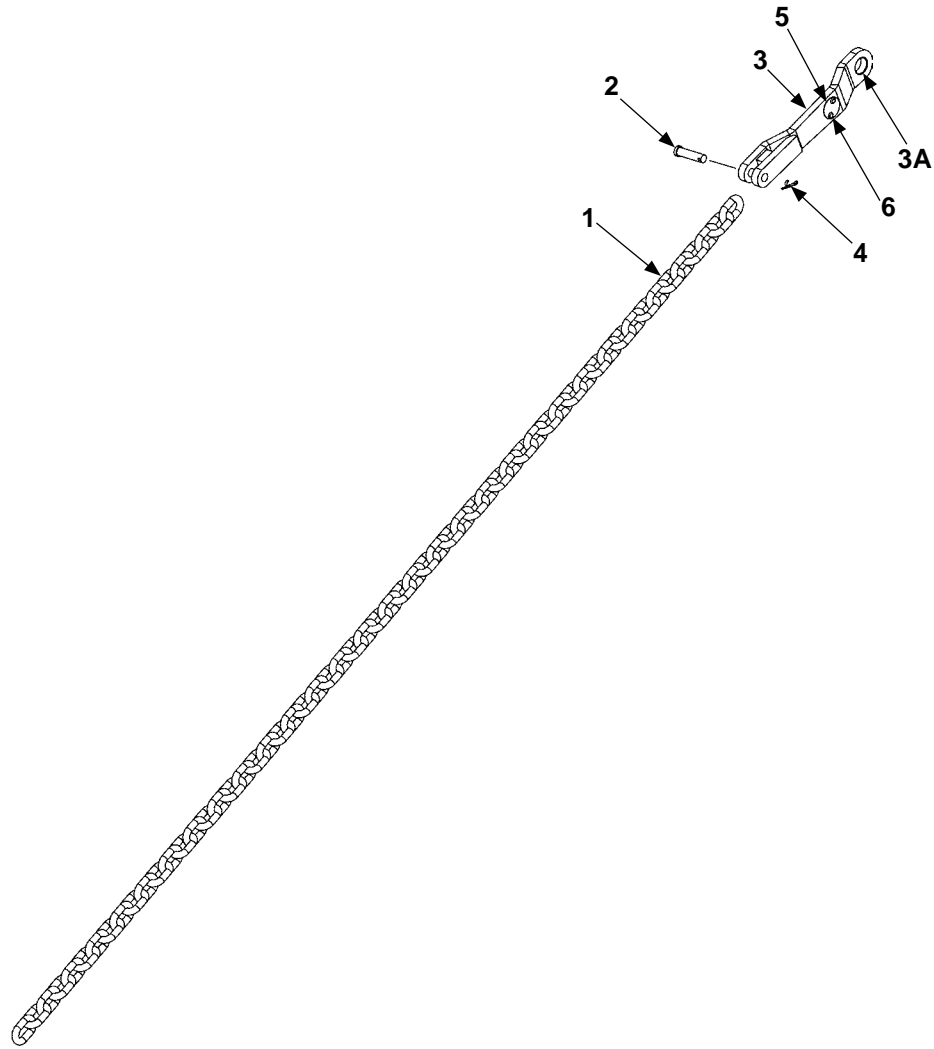
ALUMINUM RETENTION RAMP ASSEMBLY (FOR STEEL PLATFORM)

MAXON® 11921 Slauson Ave. Santa Fe Springs, CA. 90670 (800) 227-4116 FAX (888) 771-7713



ITEM	QTY.	PART NO.	DESCRIPTION
REF	1	264699-02	AL RET. RAMP ASSY, 16" (96" WIDE VEH)
		264699-03	AL RET. RAMP ASSY, 16" (102" WIDE VEH)
1	1	264697-02	ALUMINUM RAMP 16" X 77" LG. (96" WIDE VEH)
		264697-03	ALUMINUM RAMP 16" X 83" LG. (102" WIDE VEH)
2	1	253524	HINGE ASSEMBLY, LH
3	6	902001-2	FLAT WASHER, 3/8"
4	6	030955	NYLON LOCK NUT, 3/8"-16
5	2	253516	RUBBER BUMPER
6	3	900040-5	SCREW, FLAT SOCKET HEAD, 3/8"-16" X 1-1/4" LG.
7	1	225985	PIPE, 3/4" X 60" LG.
8	3	900040-6	SCREW, FLAT SOCKET HEAD, 3/8"-16 X 1-1/2" LG.
9	1	264586	PIN WELDMENT
10	1	264639	LOCKING CAM
10A	1	260917-06	BEARING, SELF LUBE
11	1	264572	HINGE ASSEMBLY, RH
12	1	905033-2	ROLL PIN, 1/4" X 1-1/4" LG.

LH CHAIN ASSEMBLY (FOR STEEL PLATFORM)



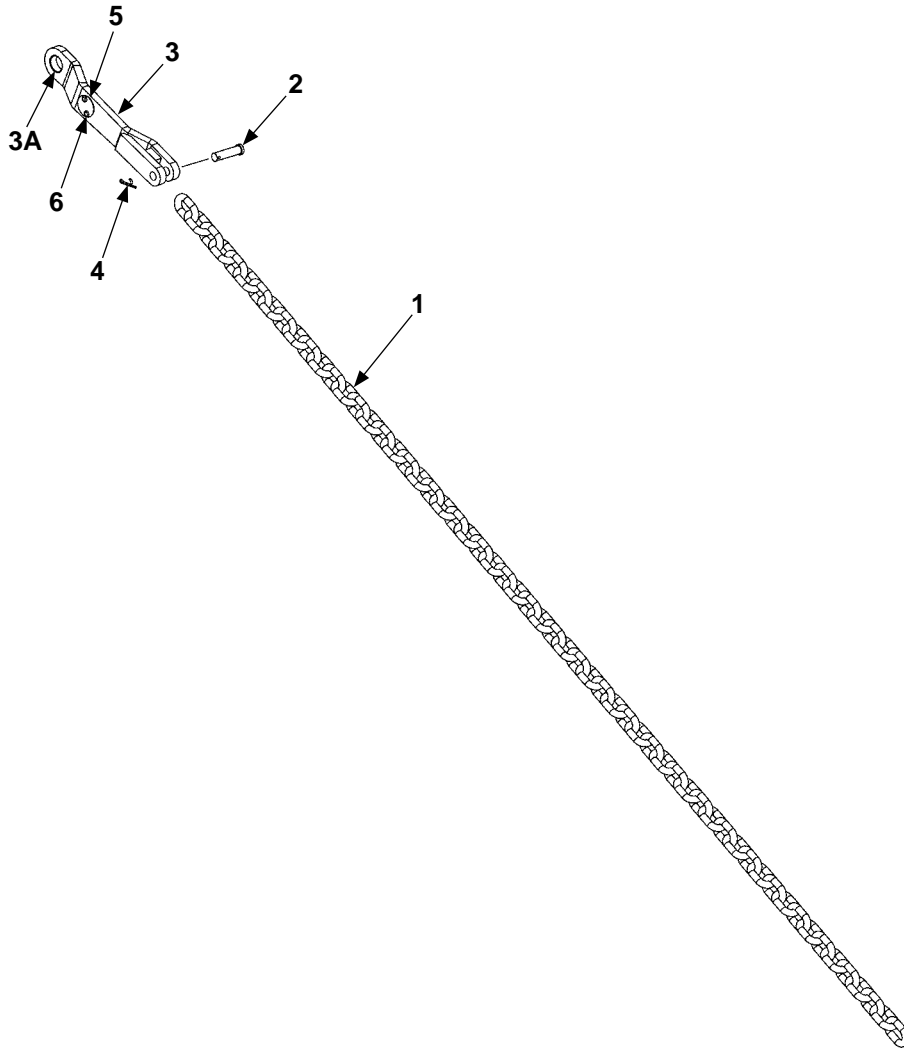
ITEM	QTY.	DESCRIPTION	PART NO.	
			* 42" + 42"	* 42" + 30"
REF	1	CHAIN ASSEMBLY LH	282867-03	282867-01
1	1	CHAIN	282866-02	282866-01
2	1	CLEVIS PIN, 1/2" X 1-7/8" LG.	905136-01	
3	1	TEAR DROP ASSY, LH	280505-01	
3A	1	BEARING, SELF-LUBE	260078	
4	1	COTTER PIN, 1/8" X 1-1/2" LG.	030177	
5	1	KEEP HANDS CLEAR (PLATE) (SEE DECAL SEC)	REF	
6	2	POP RIVET, 3/16" X .40" LG.	REF	

* PLATFORM + FLIPOVER DEPTH

MAXON[®]

11921 Slauson Ave. Santa Fe Springs, CA. 90670 (800) 227-4116 FAX (888) 771-7713

RH CHAIN ASSEMBLY (FOR STEEL PLATFORM)

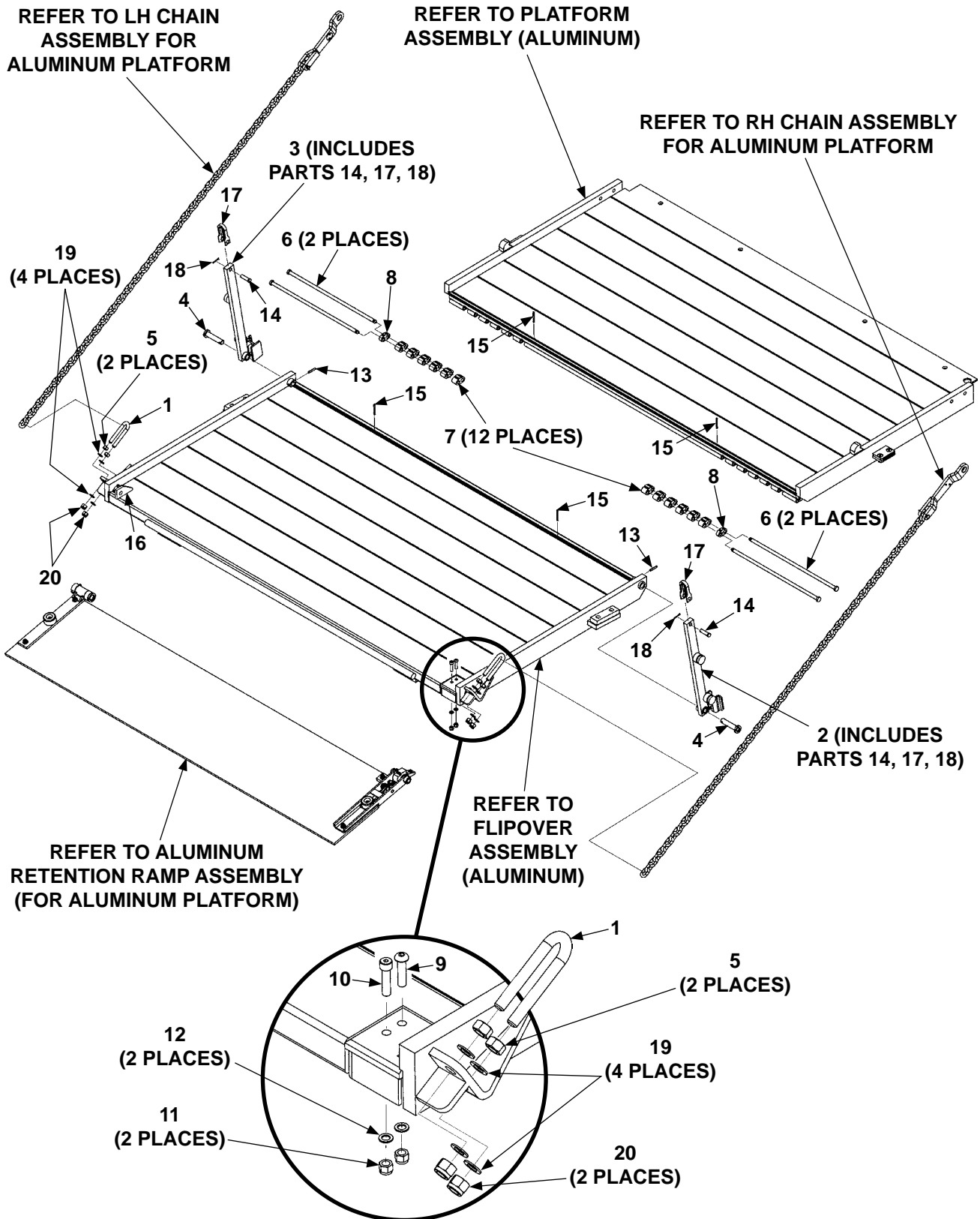


ITEM	QTY.	DESCRIPTION	PART NO.	
			* 42" + 42"	* 42" + 30"
REF	1	CHAIN ASSEMBLY RH	282867-04	282867-02
1	1	CHAIN	282866-02	282866-01
2	1	CLEVIS PIN, 1/2" X 1-7/8" LG.	905136-01	
3	1	TEAR DROP ASSY, RH	280505-02	
3A	1	BEARING, SELF-LUBE	260078	
4	1	COTTER PIN, 1/8" X 1-1/2"	030177	
5	1	KEEP HANDS CLEAR (PLATE) (SEE DECAL SEC)	REF	
6	2	POP RIVET, 3/16" X .40" LG.	REF	

* PLATFORM + FLIPOVER DEPTH

PLATFORM, FLIPOVER, AND CHAIN ASSEMBLY - 1 (ALUMINUM)

MAXON[®] 11921 Slauson Ave. Santa Fe Springs, CA. 90670 (800) 227-4116 FAX (888) 771-7713



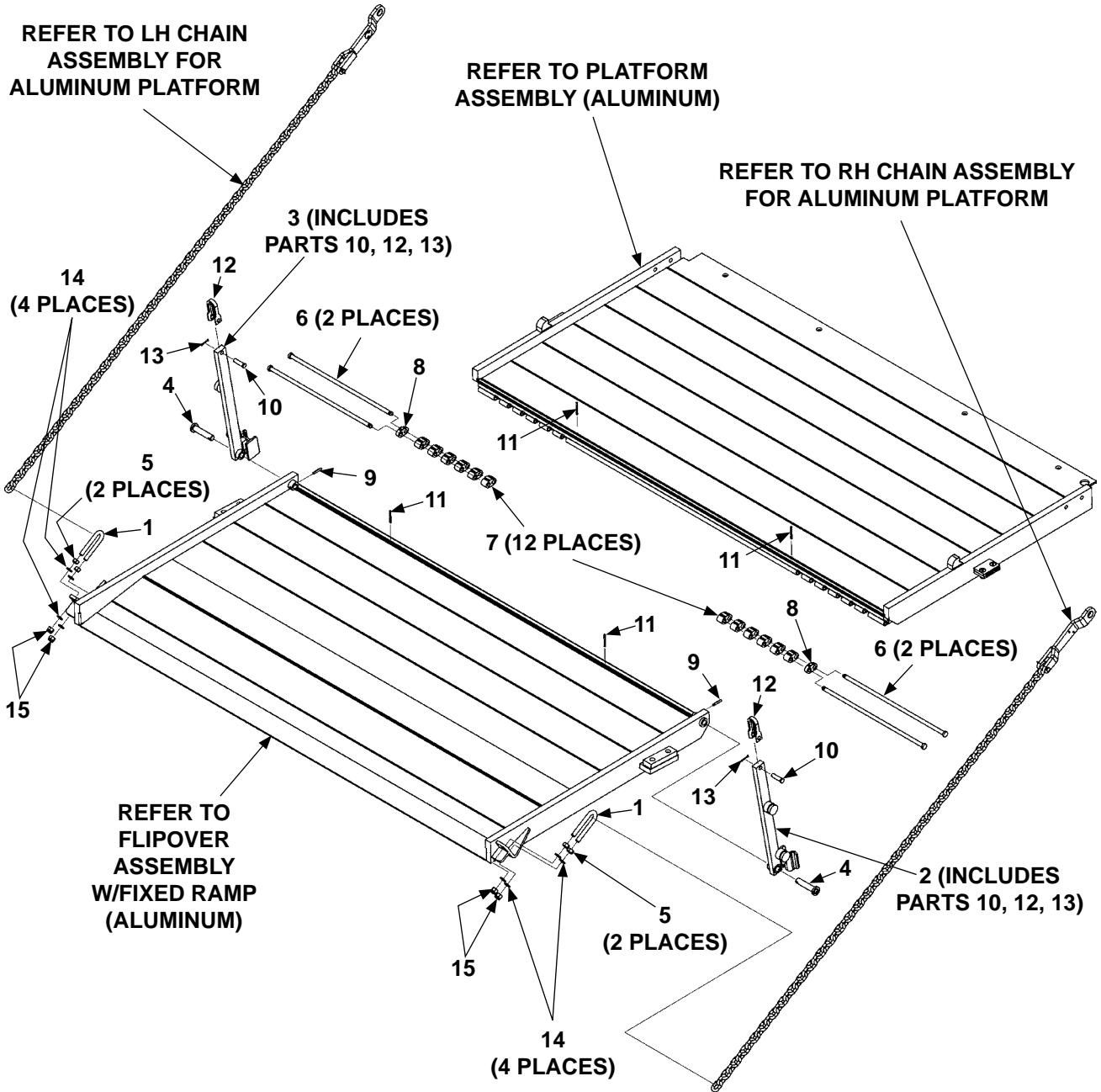
ITEM	QTY.	PART NO.	DESCRIPTION
1	2	282854-01	U-BOLT
2	1	280030-06	OPENER ASSEMBLY RH, 42" + 42" *
3	1	280030-05	OPENER ASSEMBLY LH, 42" + 42" *
4	2	280195	PIN WELDMENT, 3-5/8" LG.
5	4	901011-9	NUT, 1/2"
6	4	282366-01	PIN, HINGE
7	12	311046-10	LINK SPACER, 1" LG.
8	2	311046-11	LINK SPACER, 1/2" LG.
9	1	900064-13	BUTTON HEAD SCREW, 3/8"-16 X 1-1/2" LG, GR8
10	1	900065-06	SOCKET HEAD SCREW, 3/8"-16 X 1-1/2" LG, GR8
11	2	901002	NYLON LOCK NUT, 3/8"-16
12	2	902000-10	FLAT WASHER, 3/8"
13	2	905033-1	ROLL PIN, 1/4" X 1-1/2" LG.
14	2	905136-01	CLEVIS PIN, 1/2" X 1-7/8" LG, GR8
15	4	904719-17	ROLL PIN, 3/16" X 2" LG.
16	1	280877-01	GUSSET
17	2	280644-01	ANCHOR SHACKLE
18	2	030805	COTTER PIN, 1/8" X 1" LG.
19	8	902000-14	FLAT WASHER, 1/2"
20	4	901010	NYLON LOCK NUT, 1/2"-13

* PLATFORM + FLIPOVER DEPTH

PLATFORM, FLIPOVER, AND CHAIN ASSEMBLY - 2 (ALUMINUM)

MAXON[®]

11921 Slauson Ave. Santa Fe Springs, CA. 90670 (800) 227-4116 FAX (888) 771-7713



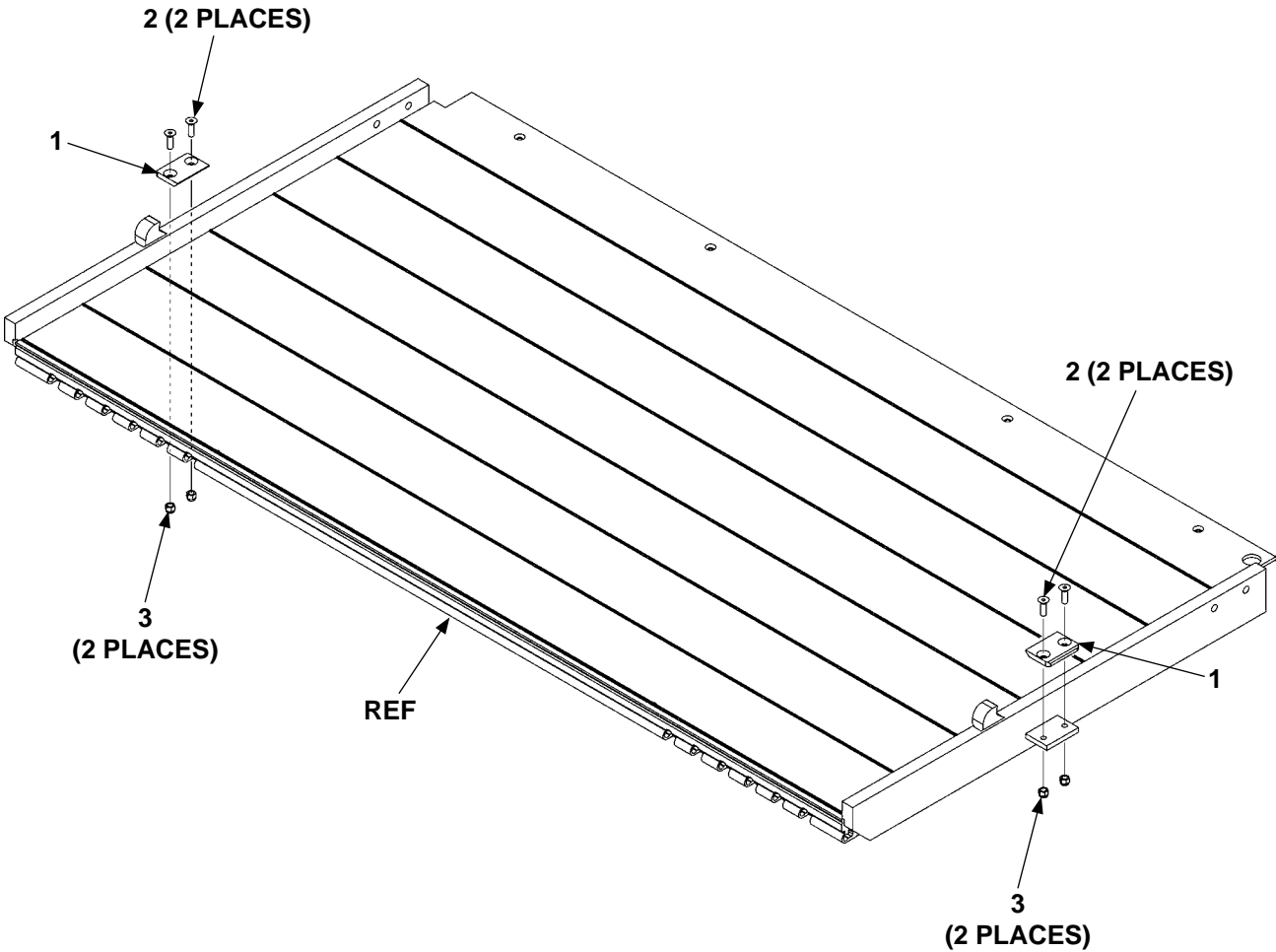
ITEM	QTY.	PART NO.	DESCRIPTION
1	2	282854-01	U-BOLT
2	1	280030-06	OPENER ASSEMBLY RH, 42" + 42" *
3	1	280030-05	OPENER ASSEMBLY LH, 42" + 42" *
4	2	280195	PIN WELDMENT, 3-5/8" LG.
5	4	901011-9	NUT, 1/2"
6	4	282366-01	PIN, HINGE
7	12	311046-10	LINK SPACER, 1" LG.
8	2	311046-11	LINK SPACER, 1/2" LG.
9	2	905033-1	ROLL PIN, 1/4" X 1-1/2" LG.
10	2	905136-01	CLEVIS PIN, 1/2" X 1-7/8" LG, GR8
11	4	904719-17	ROLL PIN, 3/16" X 2" LG.
12	2	280644-01	ANCHOR SHACKLE
13	2	030805	COTTER PIN, 1/8" X 1" LG.
14	8	902000-14	FLAT WASHER, 1/2"
15	4	901010	NYLON LOCK NUT, 1/2"-13

* PLATFORM + FLIPOVER DEPTH

PLATFORM ASSEMBLY (ALUMINUM)

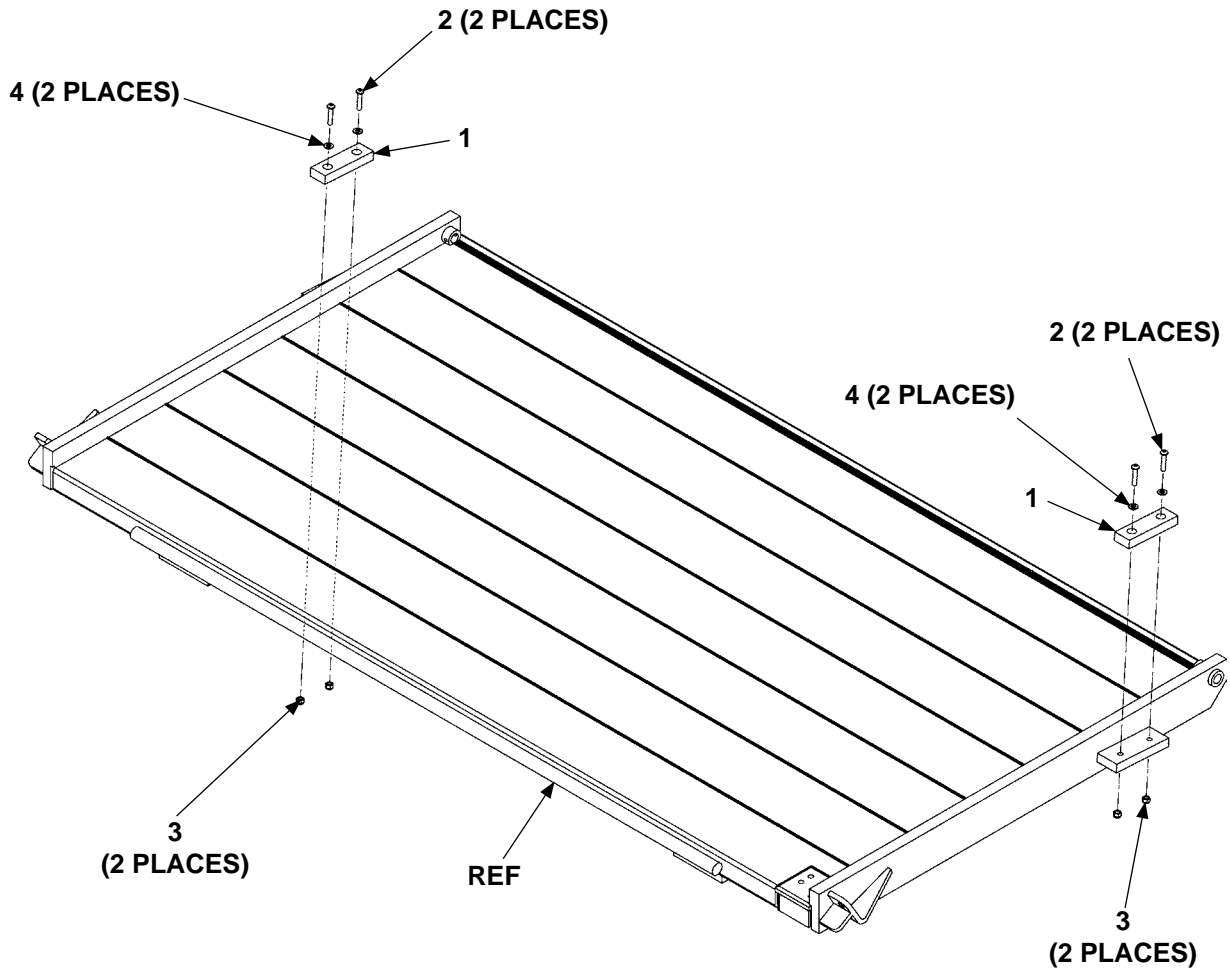
MAXON

11921 Slauson Ave. Santa Fe Springs, CA. 90670 (800) 227-4116 FAX (888) 771-7713



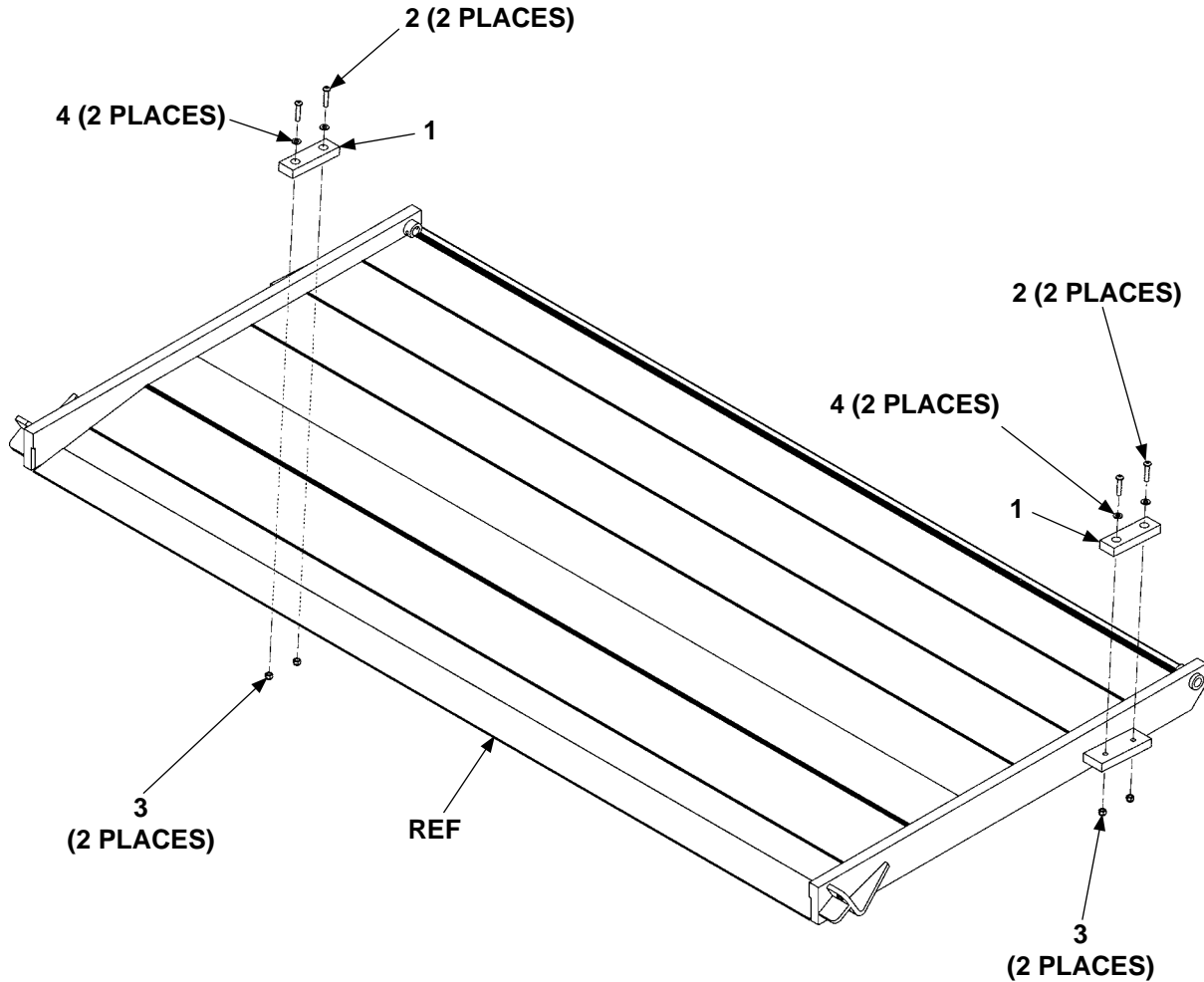
ITEM	QTY.	PART NO.	DESCRIPTION
REF	1	282368-05	PLATFORM, 96" WIDE VEHICLE
		282368-06	PLATFORM, 102" WIDE VEHICLE
1	1	280027	BRACKET
2	4	900040-5	FLAT HEAD SOCKET SCREW, 3/8"-16 X 1-1/4" LG.
3	4	901002	LOCK NUT, 3/8"-16

FLIPOVER ASSEMBLY (ALUMINUM)



ITEM	QTY.	PART NO.	DESCRIPTION
REF	1	282865-05	FLIPOVER, 96" WIDE VEHICLE
		282865-06	FLIPOVER, 102" WIDE VEHICLE
1	2	225278-02	BUMPER
2	4	900001-5	BUTTON SCREW, 5/16"-18 X 1-1/2" LG.
3	4	901001	LOCK NUT, 5/16"-18
4	4	902013-10	FLAT WASHER, 5/16"

FLIPOVER ASSEMBLY W/FIXED RAMP (ALUMINUM)



ITEM	QTY.	PART NO.	DESCRIPTION
REF	1	282870-03	FLIPOVER, 96" WIDE VEHICLE
		282870-04	FLIPOVER, 102" WIDE VEHICLE
1	2	225278-02	BUMPER
2	4	900001-5	BUTTON SCREW, 5/16"-18 X 1-1/2" LG.
3	4	901001	LOCK NUT, 5/16"-18
4	4	902013-10	FLAT WASHER, 5/16"

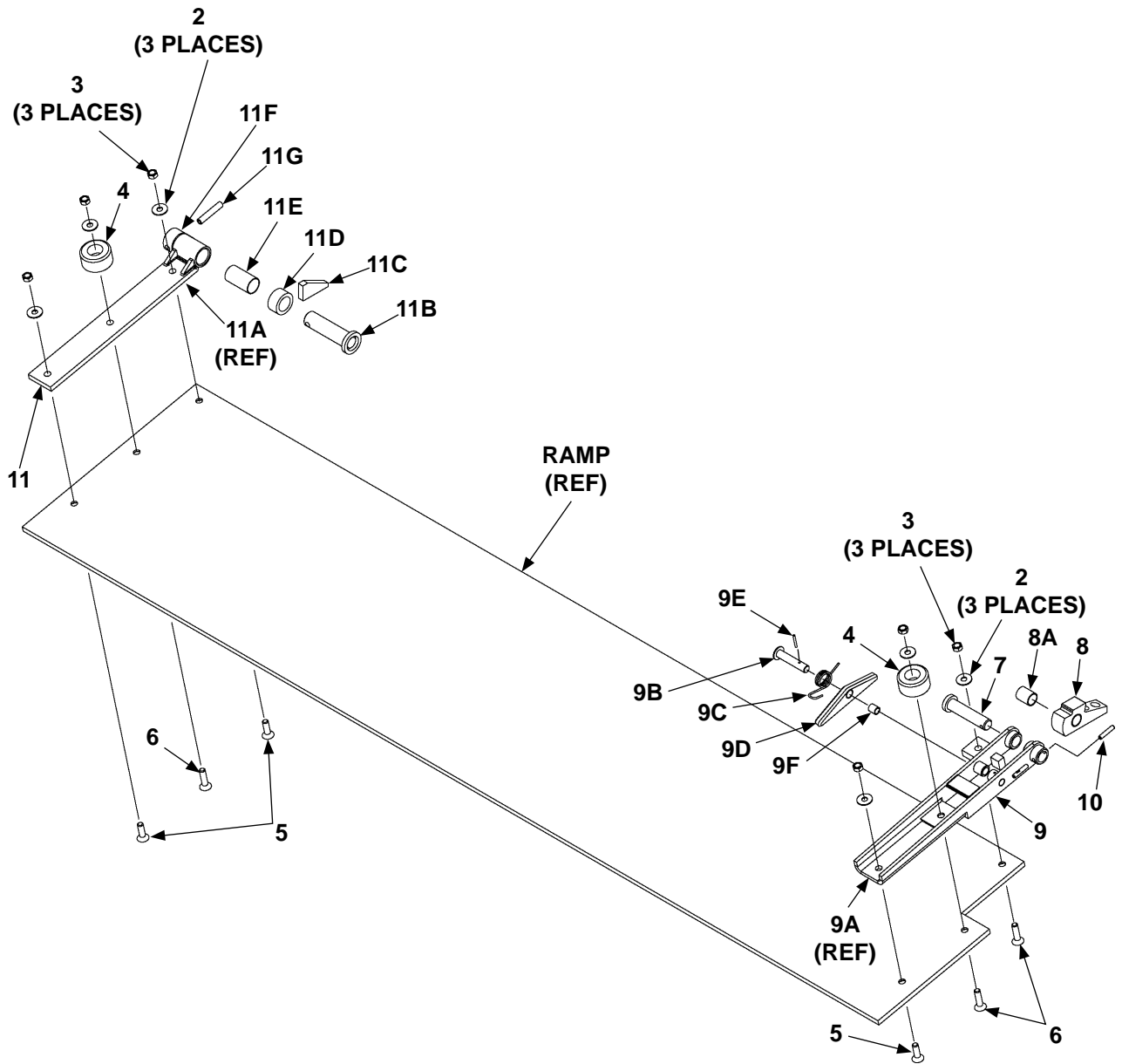
MAXON[®]

11921 Slauson Ave. Santa Fe Springs, CA. 90670 (800) 227-4116 FAX (888) 771-7713

THIS PAGE INTENTIONALLY LEFT BLANK

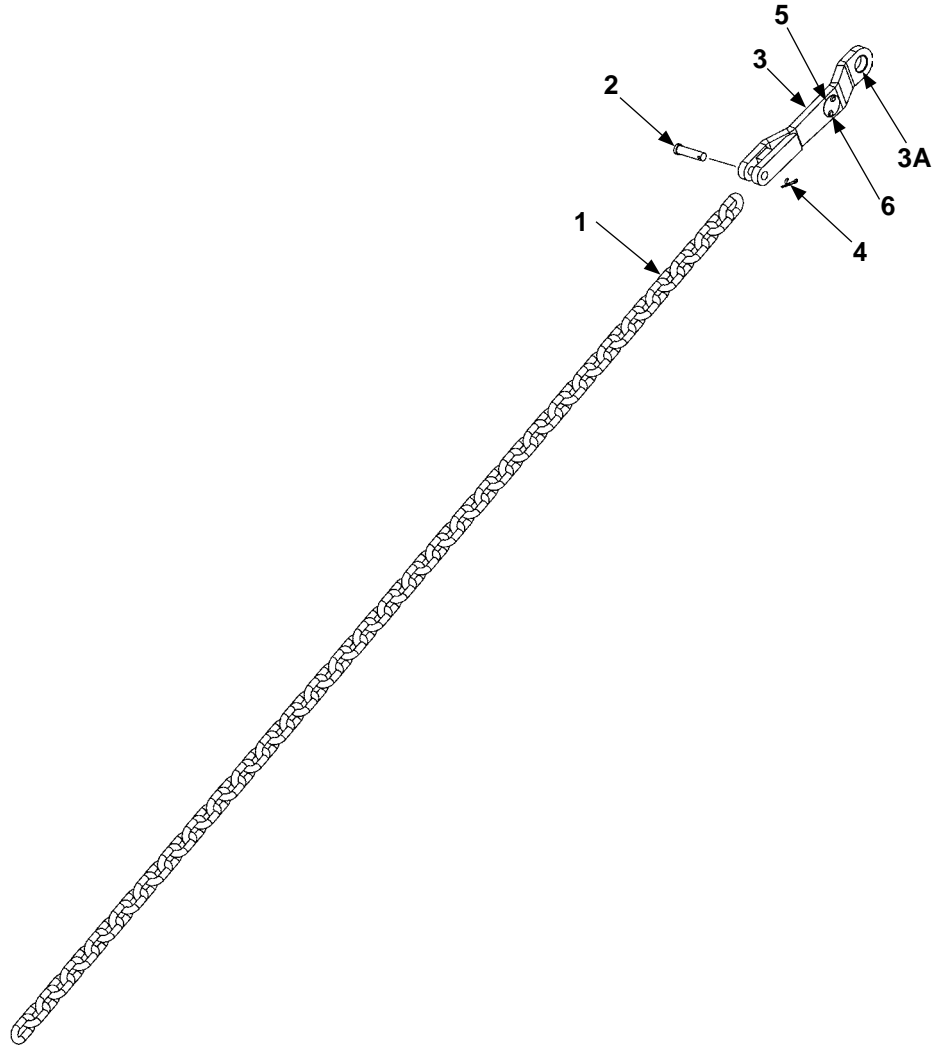
ALUMINUM RETENTION RAMP ASSEMBLY (FOR ALUMINUM PLATFORM)

MAXON® 11921 Slauson Ave. Santa Fe Springs, CA. 90670 (800) 227-4116 FAX (888) 771-7713



ITEM	QTY.	PART NO.	DESCRIPTION
REF	1	264699-06	AL RET. RAMP ASSY, 16" (96" WIDE VEHICLE)
		264699-07	AL RET. RAMP ASSY, 16" (102" WIDE VEHICLE)
2	6	902001-2	LOCK WASHER, 3/8"
3	6	030955	LOCK NUT, 3/8"-16
4	2	253516	RUBBER BUMPER
5	3	900040-5	SOCKET FLAT HD SCREW, 3/8-16 X 1-1/4" LG, GR8
6	3	900040-6	SOCKET FLAT HD SCREW, 3/8-16 X 1-1/2" LG, GR8
7	1	264586	PIN WELDMENT, 3/4" LG.
8	1	264639	LOCKING CAM
8A	1	260917-06	BEARING, SELF LUBE
9	1	264572	HINGE ASSEMBLY, RH
9A	1	REF	HINGE WELDMENT, RH
9B	1	264577	PIN WELDMENT, 1/2" LG.
9C	1	264638	TORSION SPRING, LH
9D	1	264547	LOCKING ARM ASSY
9E	1	030406	ROLL PIN, 1/8" X 1" LG.
9F	1	253542	BEARING, SELF LUBE
10	1	905033-2	ROLL PIN, 1/4" X 1-1/4" LG.
11	1	263463	HINGE ASSEMBLY LH
11A	1	REF	HINGE ARM WELDMENT
11B	1	253528	PIN WELDMENT
11C	1	263467	GUSSET
11D	1	091884-10	ROUND TUBE, ALUMINUM, 3/4" LG.
11E	1	253541	BEARING, SELF LUBE
11F	1	263466	PIN COLLAR
11G	1	221416	ROLL PIN, 3/8" X 2" LG.

LH CHAIN ASSEMBLY (FOR ALUMINUM PLATFORM)

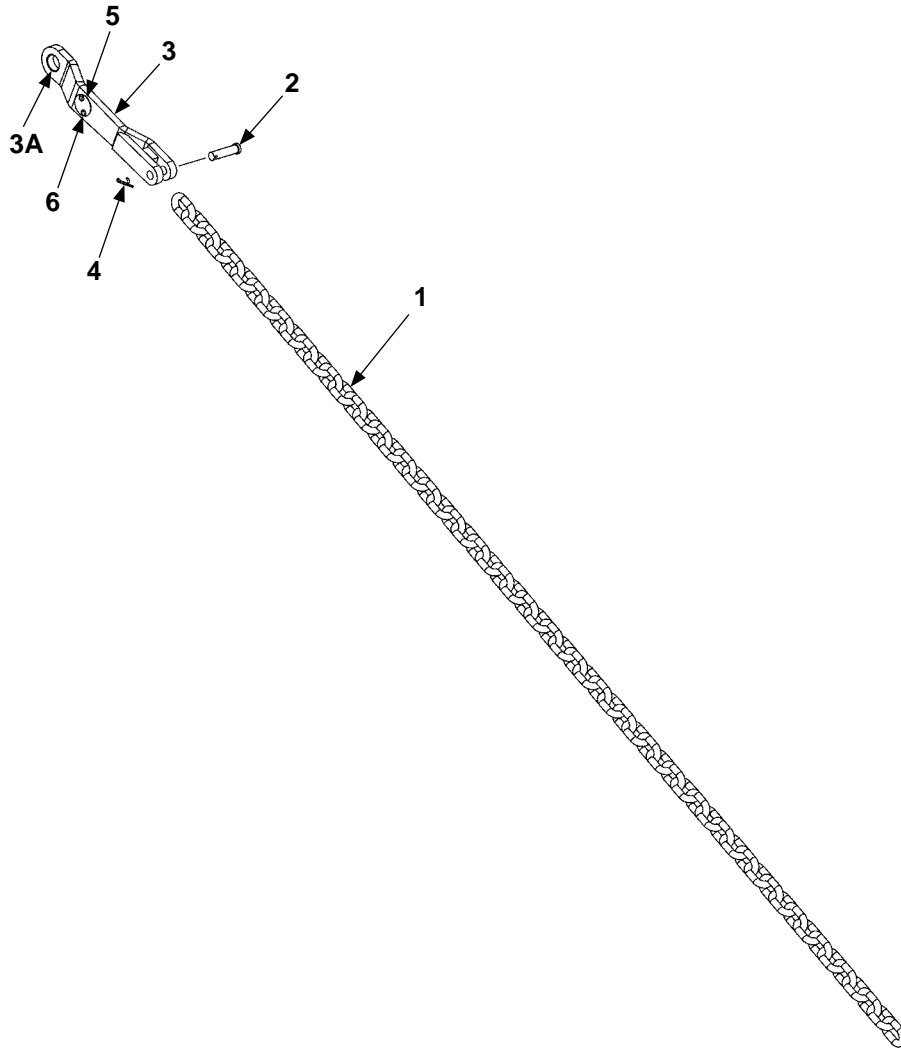


ITEM	QTY.	PART NO.	DESCRIPTION
REF	1	282867-03	CHAIN ASSEMBLY LH
1	1	282866-02	CHAIN
2	1	905136-01	CLEVIS PIN, 1/2" X 1-7/8" LG.
3	1	280505-01	TEAR DROP ASSY, LH
3A	1	260078	BEARING, SELF-LUBE
4	1	030177	COTTER PIN, 1/8" X 1-1/2" LG.
5	1	REF	KEEP HANDS CLEAR (PLATE) (SEE DECAL SEC)
6	2	REF	POP RIVET, 3/16" X 7/16" LG.

MAXON[®]

11921 Slauson Ave. Santa Fe Springs, CA. 90670 (800) 227-4116 FAX (888) 771-7713

RH CHAIN ASSEMBLY (FOR ALUMINUM PLATFORM)



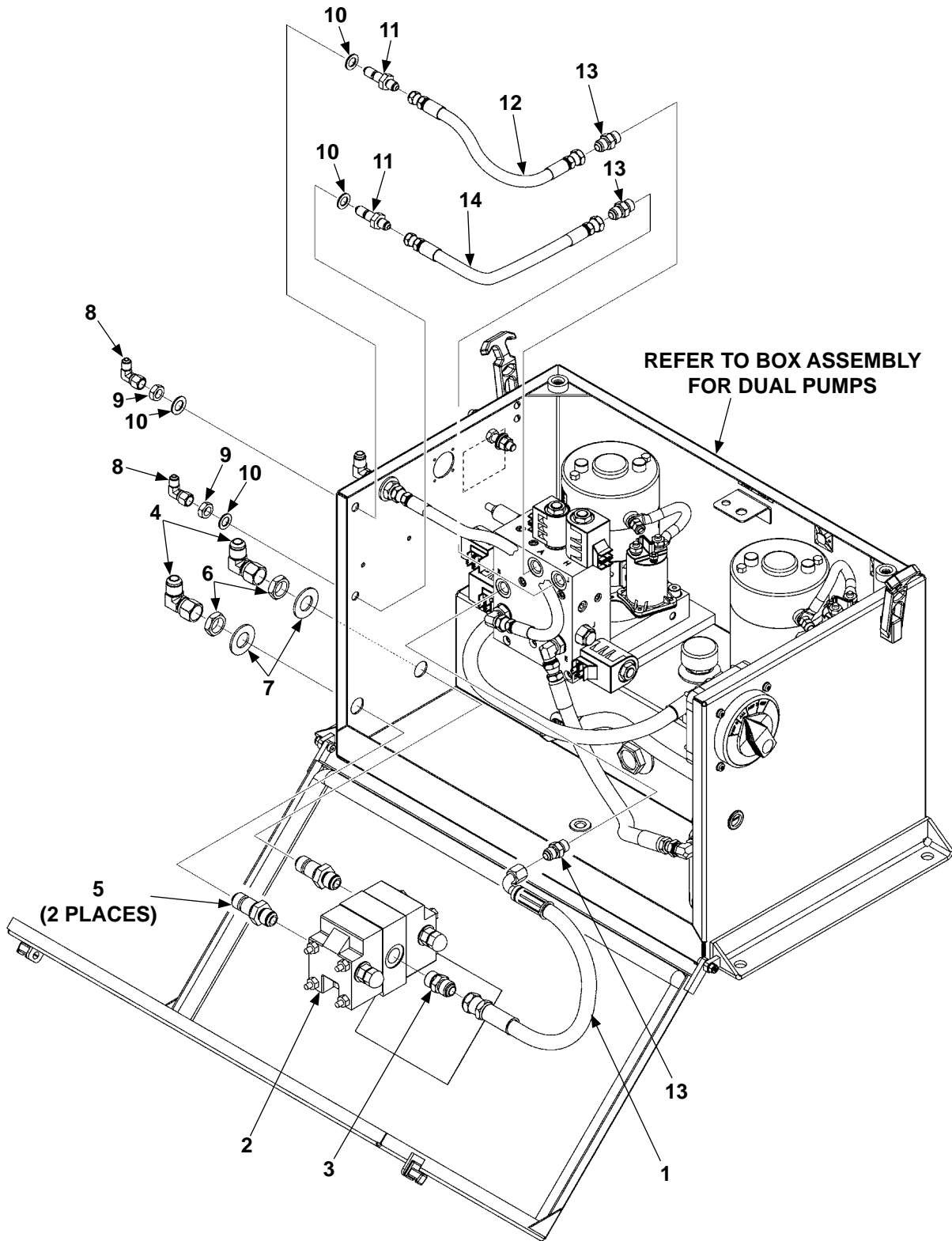
ITEM	QTY.	PART NO.	DESCRIPTION
REF	1	282867-04	CHAIN ASSEMBLY RH
1	1	253606-11	CHAIN
2	1	905136-01	CLEVIS PIN, 1/2" X 1-7/8" LG.
3	1	280505-02	TEAR DROP ASSY, RH
3A	1	260078	BEARING, SELF-LUBE
4	1	030177	COTTER PIN, 1/8" X 1-1/2"
5	1	REF	KEEP HANDS CLEAR (PLATE) (SEE DECAL SEC)
6	2	REF	POP RIVET, 3/16" X 7/16" LG.

MAXON[®] 11921 Slauson Ave. Santa Fe Springs, CA. 90670 (800) 227-4116 FAX (888) 771-7713

HYDRAULIC COMPONENTS SECTION

DUAL PUMP ASSEMBLY

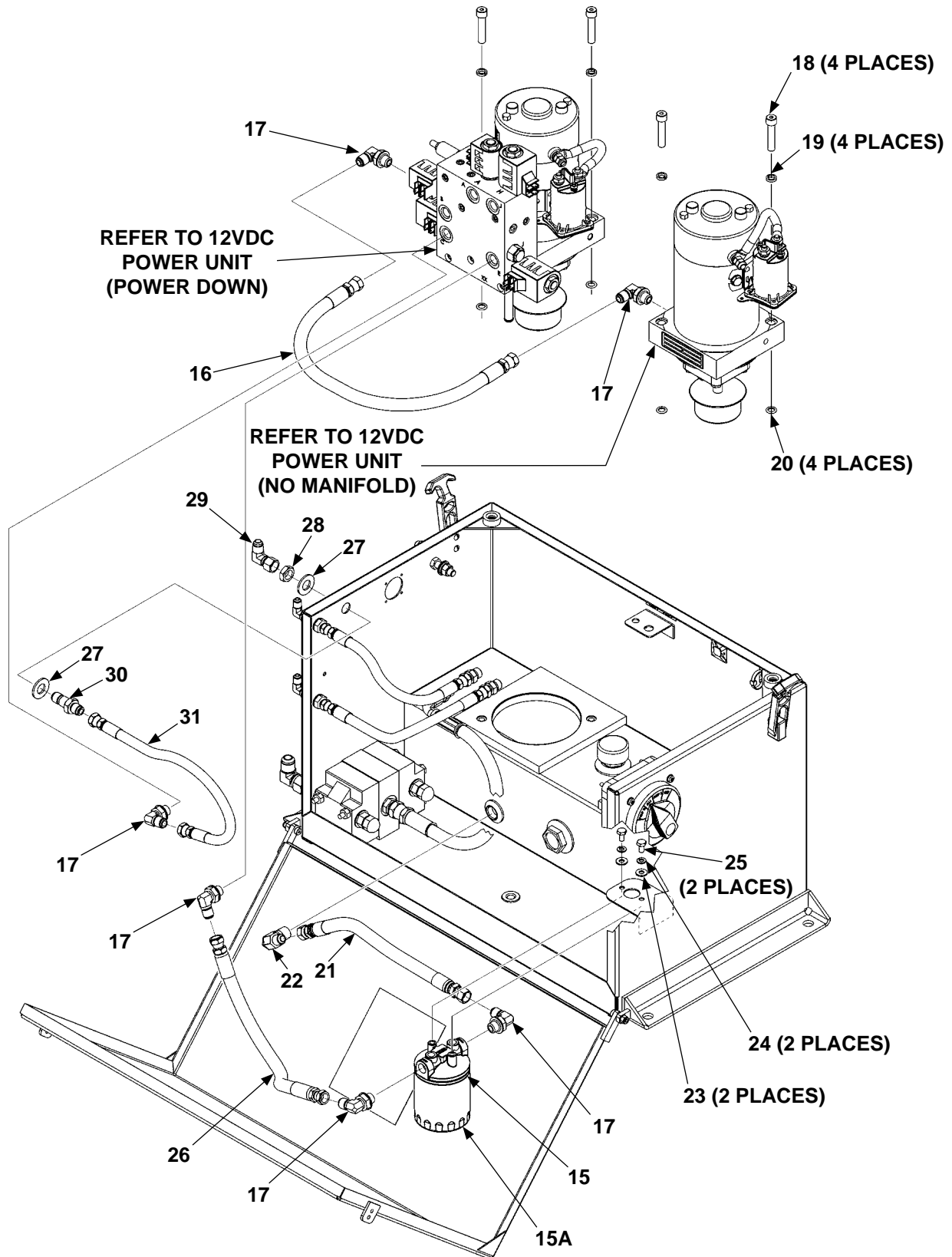
MAXON[®] 11921 Slauson Ave. Santa Fe Springs, CA. 90670 (800) 227-4116 FAX (888) 771-7713



ITEM	QTY.	PART NO.	DESCRIPTION
REF	-	283080-01	DUAL PUMP ASSEMBLY (BMRSD)
1	1	263971	HP HOSE, 3/8" X 17-9/16" LG, JIC#6F-#6F
2	1	253513	FLOW DIVIDER
3	1	253706	STRAIGHT UNION SAE#8 & JIC#8 M-M
4	2	260120	ELBOW, 90°, SAE 37°, JIC#8-M & JIC#8-F
5	2	261461	UNION, BULKHEAD, SAE 37° FLARE TWIN
6	2	261462	NUT, BULKHEAD, SAE 37° FLARE TWIN
7	2	902000-20	FLAT WASHER, 3/4"
8	2	905027	ELBOW, JIC #4 M-F SW
9	2	905085	NUT, BULKHEAD, JIC#4
10	4	902000-12	FLAT WASHER, 7/16" X 1/16" THK.
11	2	905096	STRAIGHT UNION JIC#4
12	1	283094-02	HP HOSE, 1/4" X 11" LG, JIC#6F-#4F
13	3	905153	FITTING, STRAIGHT THD. SAE#6 & JIC #6
14	1	283094-01	HP HOSE, 1/4 X 13", JIC#6F-#4F

MAXON[®] 11921 Slauson Ave. Santa Fe Springs, CA. 90670 (800) 227-4116 FAX (888) 771-7713

DUAL PUMP ASSEMBLY - Continued



MAXON

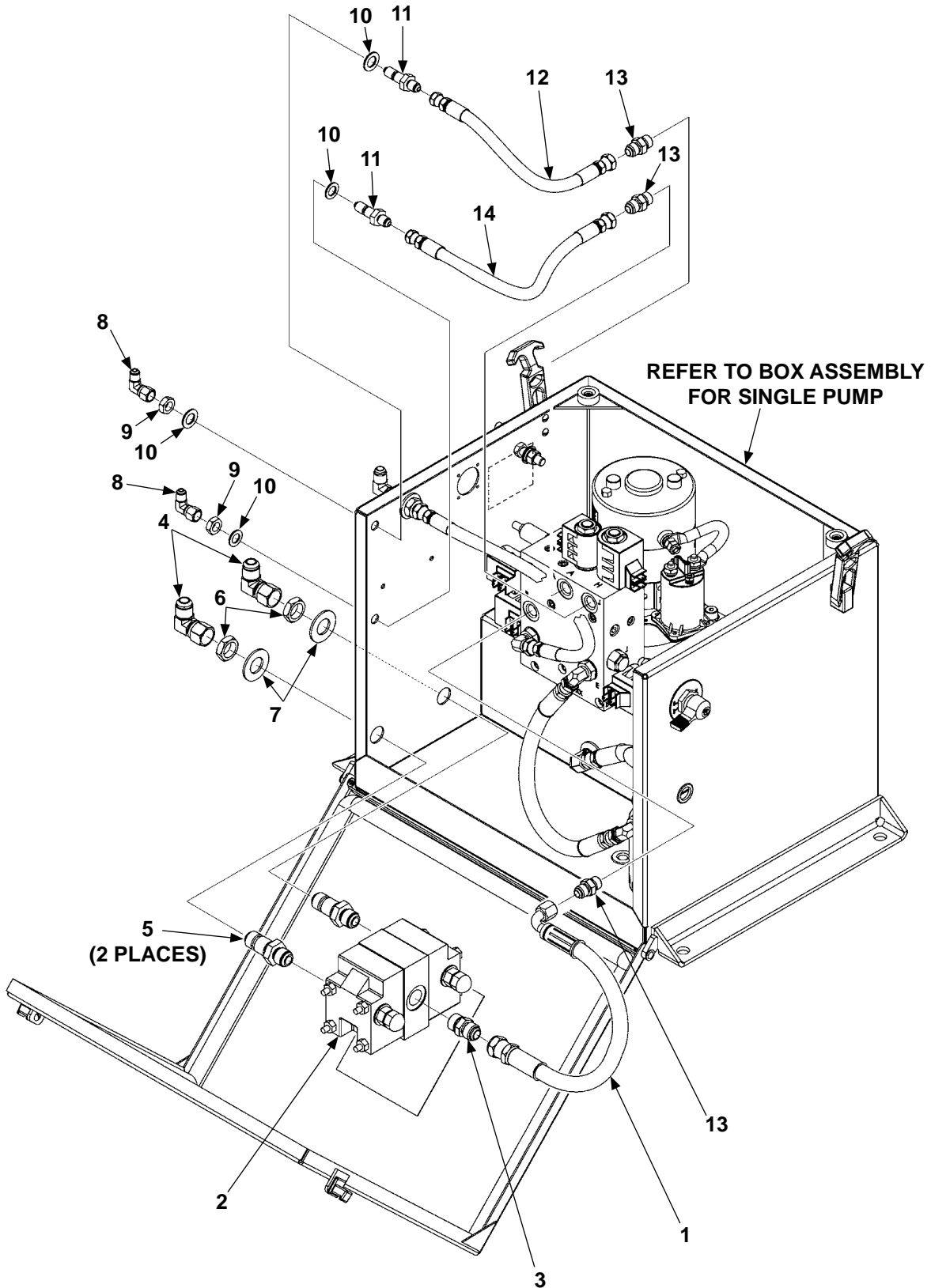
11921 Slauson Ave. Santa Fe Springs, CA. 90670 (800) 227-4116 FAX (888) 771-7713

ITEM	QTY.	PART NO.	DESCRIPTION
15	1	268835-01	SPIN-ON OIL FILTER (HEAD & CARTRIDGE)
15A	1	262412	FILTER (SPIN-ON CARTRIDGE)
16	1	283010-01	HP HOSE, 3/8" X 22" LG, JIC#6 F-F
17	6	905152	ELBOW, 90°, SAE #6 & JIC 37° #6
18	4	263951	CAP SCREW, 3/8"-16 X 1-3/4" LG.
19	4	263952	LOCK WASHER, 3/8"
20	4	908025-01	O-RING
21	1	283099-01	HP HOSE, 3/8" X 15" LG, JIC#6 F-F
22	1	906837-01	ELBOW, 90°, 3/8"-M & JIC-3/8 NPT
23	2	902013-09	FLAT WASHER, 1/4"
24	2	902011-2	LOCK WASHER, 1/4" X 1/16" THK.
25	2	900004-1	CAP SCREW, 1/4"-20 X 1/2" LG, GR8
26	1	268137-02	HP HOSE, 3/8" X 17" LG, JIC#6F-JIC#6F
27	2	902013-14	FLAT WASHER, 9/16"
28	1	905086	NUT, BULKHEAD JIC#6
29	1	905154	ELBOW, 90°, SAE 37°, JIC #6 M-F
30	1	905100	STRAIGHT UNION JIC#6
31	1	263967	HP HOSE, 3/8" X 16-1/8" LG, JIC#6 F-F

SINGLE PUMP ASSEMBLY

MAXON[®]

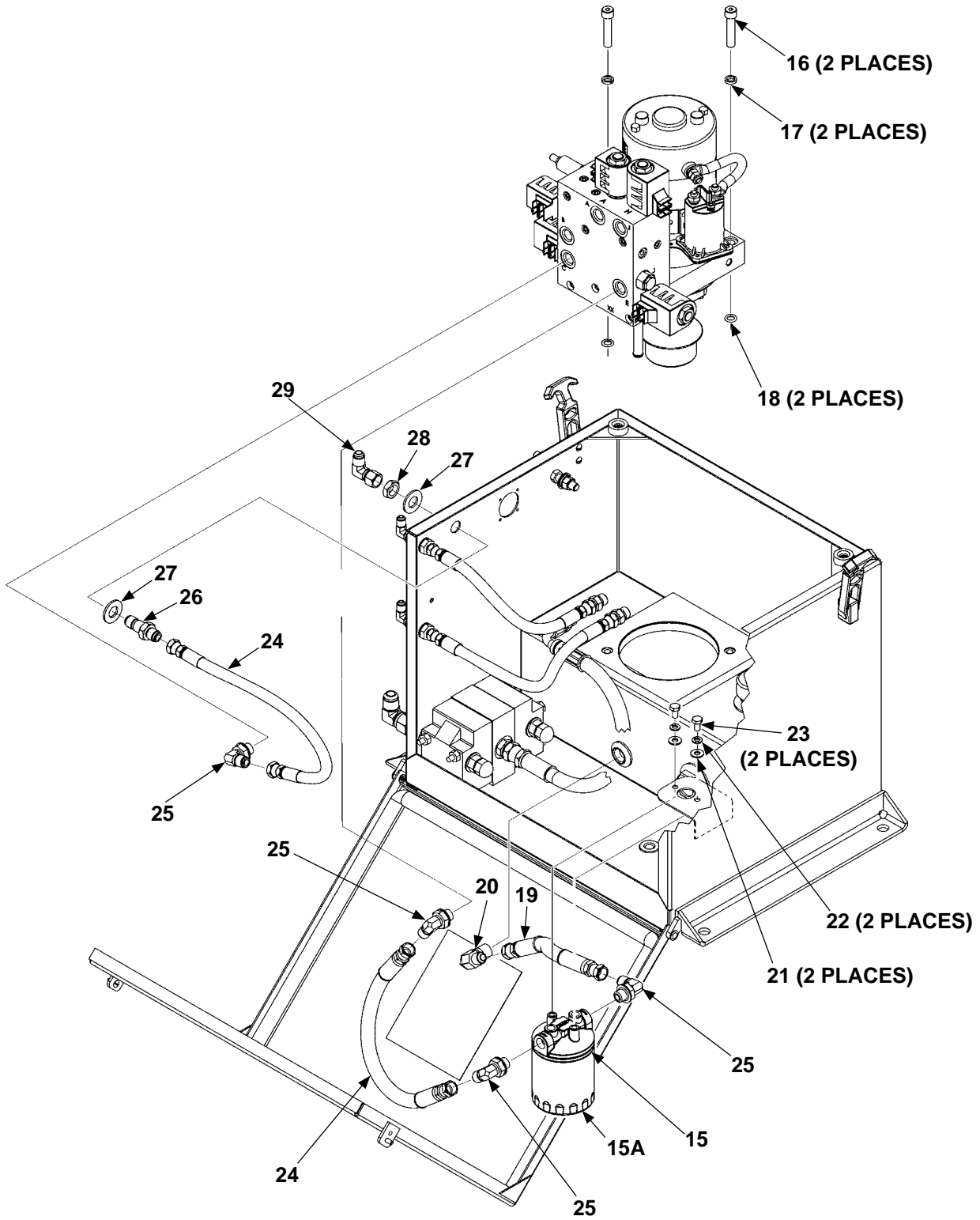
11921 Slauson Ave. Santa Fe Springs, CA. 90670 (800) 227-4116 FAX (888) 771-7713



ITEM	QTY.	PART NO.	DESCRIPTION
REF	-	283310-01	SINGLE PUMP ASSEMBLY (BMRSD)
1	1	263971	HP HOSE, 3/8" X 17-9/16" LG, JIC#6F-F
2	1	253513	FLOW DIVIDER
3	1	253706	STRAIGHT UNION SAE#8 & JIC#8 M-M
4	2	260120	ELBOW, 90°, JIC#8-M & JIC#8-F
5	2	261461	UNION, BULKHEAD, SAE 37° FLARE
6	2	261462	NUT, BULKHEAD, SAE 37° FLARE
7	2	902000-20	FLAT WASHER, 3/4"
8	2	905027	ELBOW, JIC #4 M-F SW
9	2	905085	NUT, BULKHEAD, JIC#4
10	4	902000-14	FLAT WASHER, 1/2" X 5/8" THK.
11	2	905096	STRAIGHT UNION JIC#4
12	1	283094-03	HP HOSE, 1/4" X 12" LG, JIC#6F-#4F
13	3	905153	FITTING, STRAIGHT THD. SAE#6 & JIC #6
14	1	283094-04	HP HOSE, 1/4" X 14" LG, JIC#6F-#4F

MAXON[®] 11921 Slauson Ave. Santa Fe Springs, CA. 90670 (800) 227-4116 FAX (888) 771-7713

SINGLE PUMP ASSEMBLY - Continued



MAXON

11921 Slauson Ave. Santa Fe Springs, CA. 90670 (800) 227-4116 FAX (888) 771-7713

ITEM	QTY.	PART NO.	DESCRIPTION
15	1	268835-01	SPIN-ON OIL FILTER (HEAD & CARTRIDGE)
15A	1	262412	FILTER (SPIN-ON CARTRIDGE)
16	2	263951	CAP SCREW, 3/8"-16 X 1-3/4" LG.
17	2	263952	LOCK WASHER, 3/8"
18	2	908025-01	O-RING
19	1	283099-02	HP HOSE, 3/8" X 9-3/4" LG, JIC#6 F-F
20	1	906837-01	ELBOW, 90°, 3/8"-M & JIC-3/8 NPT
21	2	902013-09	FLAT WASHER, 1/4"
22	2	902011-2	LOCK WASHER, 1/4" X 1/16" THK.
23	2	900004-1	CAP SCREW, 1/4"-20 X 1/2" LG, GR8
24	2	263967	HP HOSE, 16 1/2" LG, JIC#6F-#6F
25	4	905152	ELBOW, 90°, SAE #6 X JIC 37° #6
26	1	905100	STRAIGHT UNION JIC#6
27	2	902010	FLAT WASHER, 19/32"
28	1	905086	NUT, BULKHEAD JIC#6
29	1	905154	ELBOW, 90°, SAE 37°, JIC #6 M-F

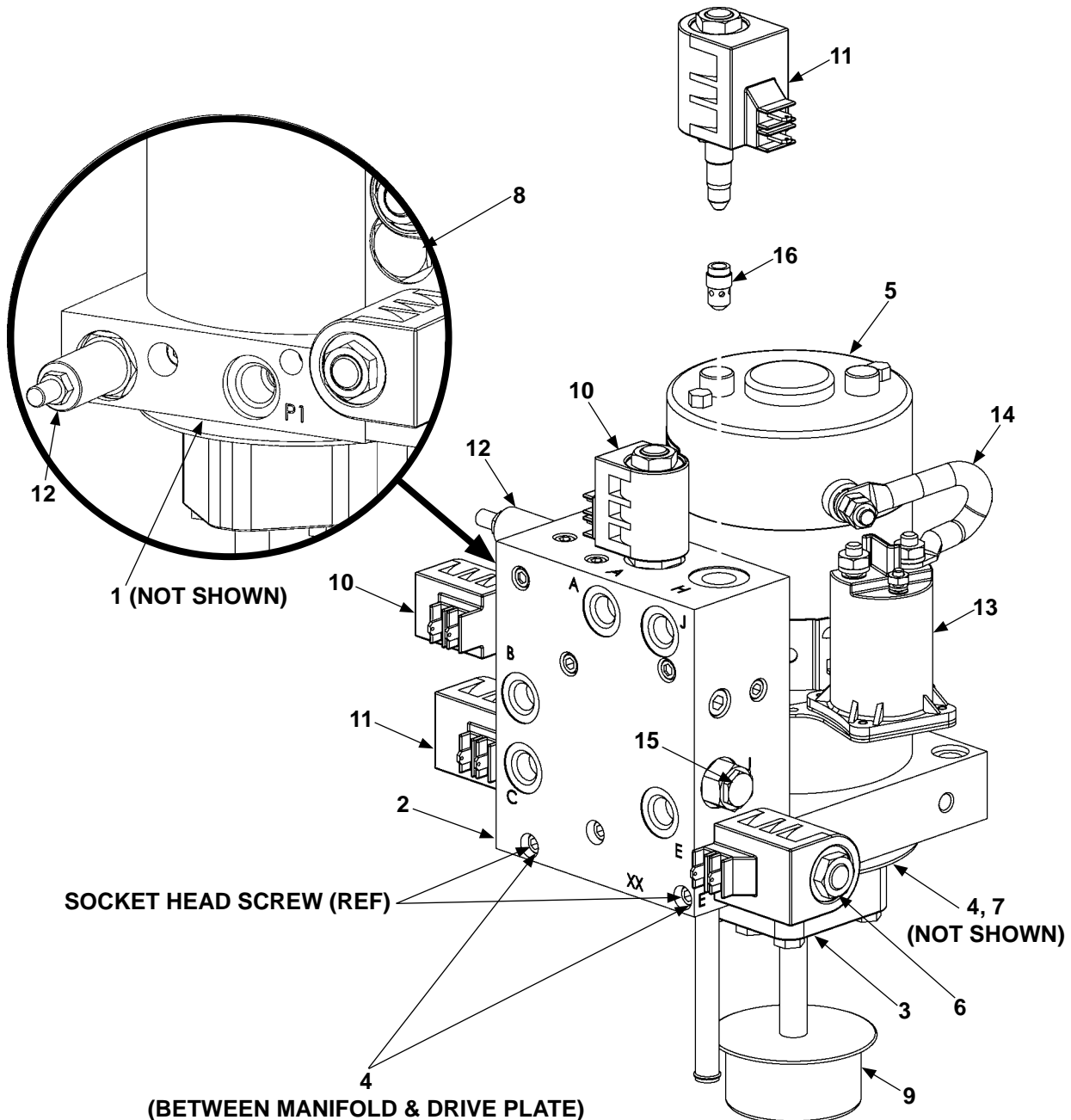
12 VDC POWER UNIT

CAUTION

To prevent damage to metal case starter solenoid, hold bottom terminal nut securely when loosening and tightening top terminal nut. Do not over-tighten the terminal nuts. For the 5/16" load terminals, torque nuts 35-40 lbs.-in. Torque the nuts on #10-32 control terminals 15-20 lbs.-in.

CAUTION

To prevent damage when installing 2-way valves, torque valve cartridge nut to 30 lbs.-in. max.



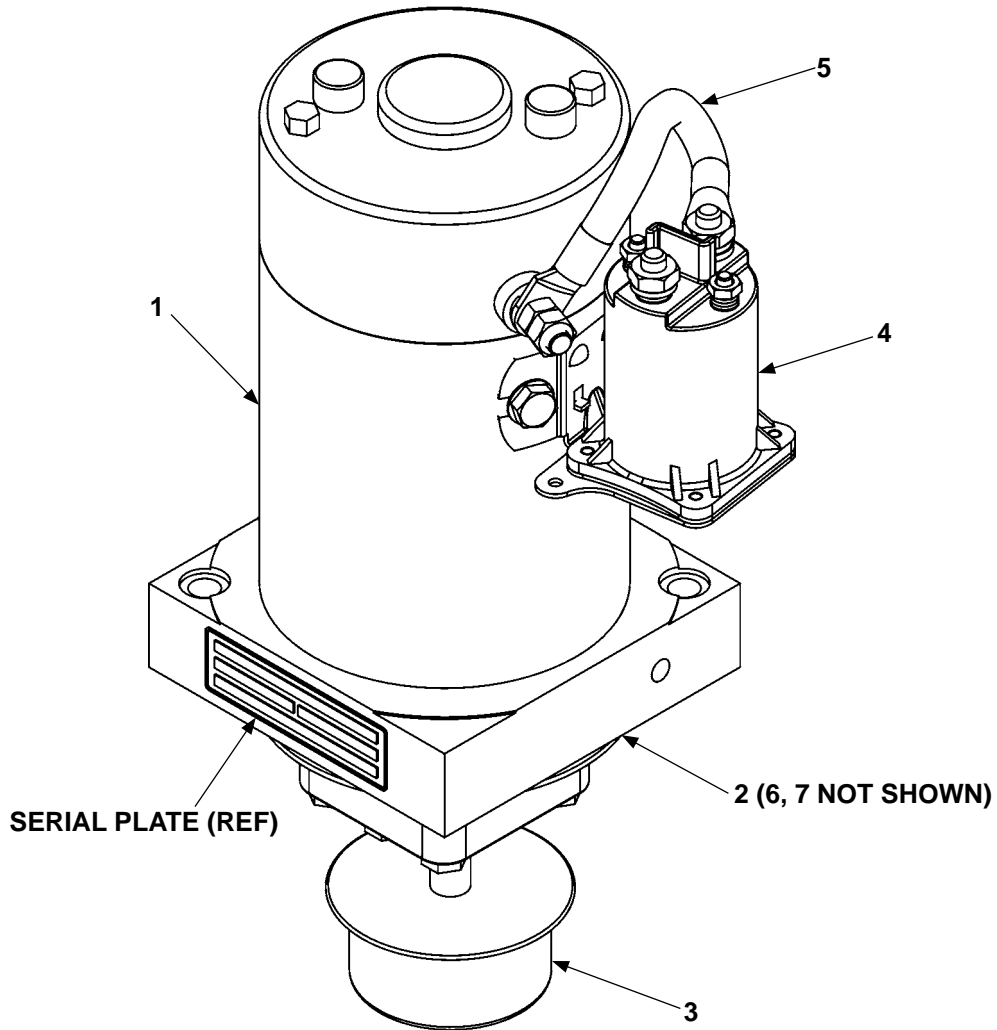
MAXON®

11921 Slauson Ave. Santa Fe Springs, CA. 90670 (800) 227-4116 FAX (888) 771-7713

ITEM	QTY.	PART NO.	DESCRIPTION
REF	1	283081-01	12 VDC POWER UNIT
1	1	260261	OIL SEAL, PUMP (NOT SHOWN)
2	1	283084-01	MANIFOLD ASSEMBLY
3	1	283101-01	PUMP ASSEMBLY (MODEL 204)
4	1	251884	O-RING, RESERVOIR (NOT SHOWN)
5	1	268337-01	MOTOR, 12 VDC, H.D.
6	1	290019	VALVE, 2 POS-3 WAY, WITH COIL
7	1	290020	O-RING (NOT SHOWN)
8	1	290033	CHECK VALVE
9	1	283102-01	FILTER, PUMP INLET
10	2	290043	VALVE CARTRIDGE, 2 WAY
11	2	290046	VALVE CARTRIDGE, 4 WAY
12	2	905195	RELIEF VALVE (RAISE & UNFOLD/FOLD, 2400 PSI)
13	1	268030-01	STARTER SOLENOID SWITCH, 12VDC 200 AMP
14	1	280404	CABLE
15	1	906738-01	RELIEF VALVE (LOWERING, 400 PSI)
16	1	283083-01	FLOW CONTROL VALVE, 1 GPM

MAXON[®] 11921 Slauson Ave. Santa Fe Springs, CA. 90670 (800) 227-4116 FAX (888) 771-7713

12VDC POWER UNIT (PUMP 2, NO MANIFOLD)



ITEM	QTY.	PART NO.	DESCRIPTION
REF	1	283100-01	12 VDC POWER UNIT (NO MANIFOLD)
1	1	268337-01	MOTOR, 12 VDC HD
2	1	283101-01	PUMP ASSEMBLY, 204
3	1	283102-01	FILTER, PUMP INLET
4	1	268030-01	SWITCH, SOLENOID ASSY
5	1	280404	CABLE ASSY
6	1	260261	OIL SEAL (SHAFT SEAL, NOT SHOWN)
7	1	290020	O-RING (NOT SHOWN)

MAXON[®]

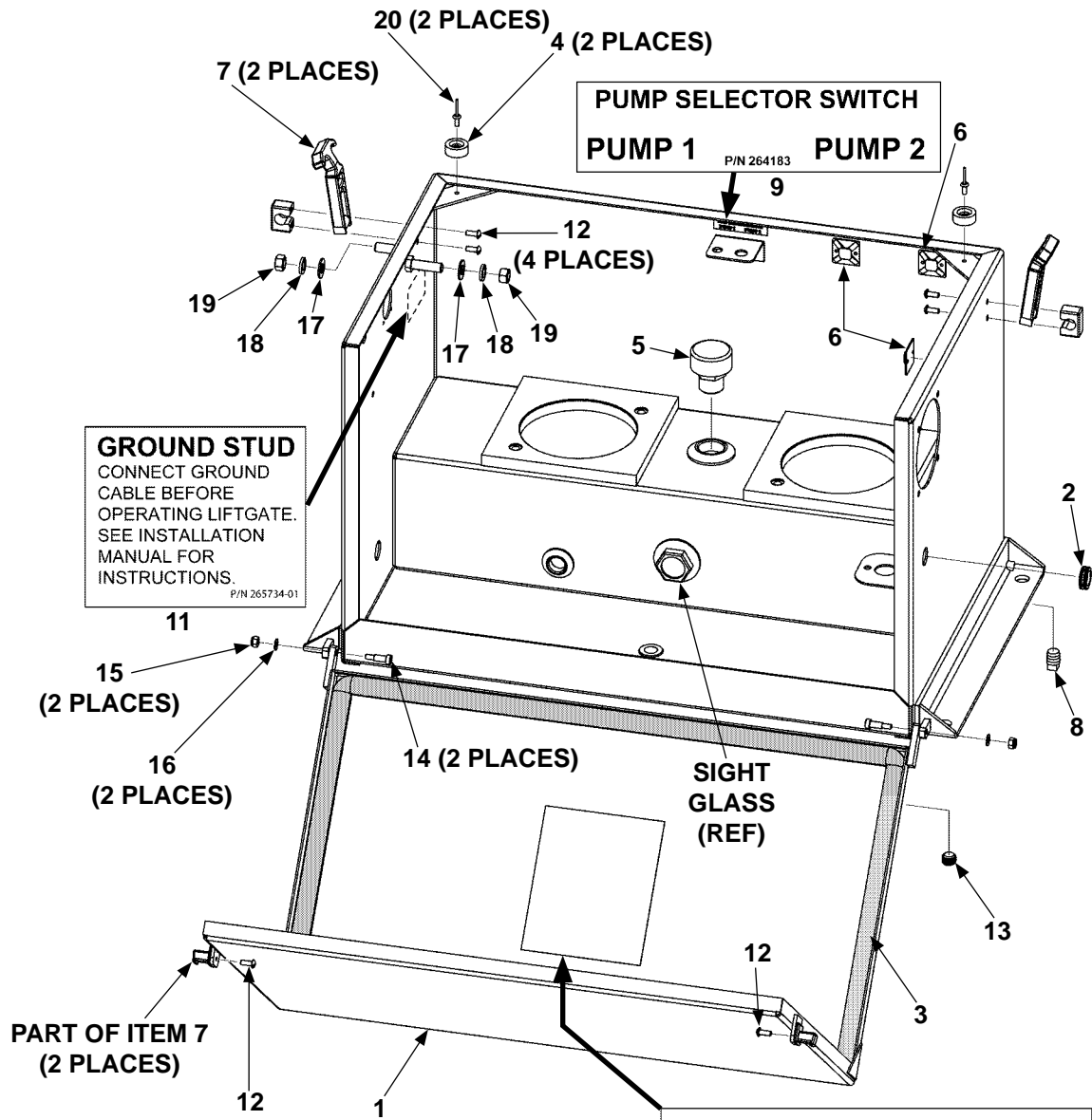
11921 Slauson Ave. Santa Fe Springs, CA. 90670 (800) 227-4116 FAX (888) 771-7713

THIS PAGE INTENTIONALLY LEFT BLANK

BOX ASSEMBLY FOR DUAL PUMPS

MAXON

11921 Slauson Ave. Santa Fe Springs, CA. 90670 (800) 227-4116 FAX (888) 771-7713



GROUND STUD
 CONNECT GROUND
 CABLE BEFORE
 OPERATING LIFTGATE.
 SEE INSTALLATION
 MANUAL FOR
 INSTRUCTIONS.
 P/N 265734-01

PUMP SELECTOR SWITCH
 PUMP 1 PUMP 2
 P/N 264183

CHECKING FLUID LEVEL

1. Check oil level with platform up and stowed.
2. Open pump box cover to view sight glass. If fluid is below center of sight glass, add correct grade of hydraulic fluid to bring level to center of sight glass.

SIGHT GLASS

PUMP BOX

HYDRAULIC FLUID GRADES

 +120°F +50°F Use ISO-32
 +70°F & Below Use ISO-15 or MIL-H-5606

P/N 265330-04

10

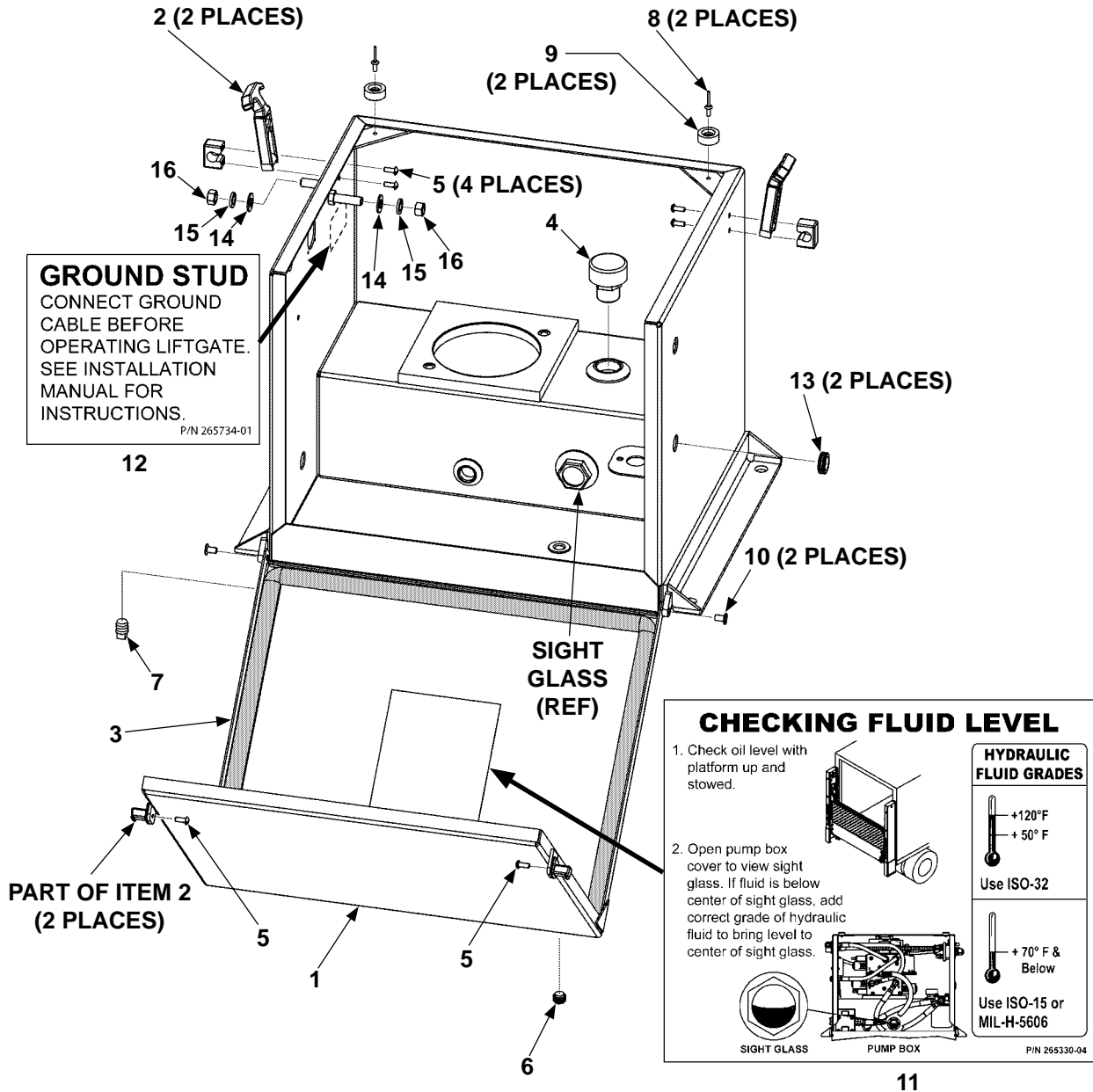
ITEM	QTY.	PART NO.	DESCRIPTION
REF	1	283085-01	BOX ASSEMBLY, DUAL PUMP (BMRSD)
1	1	268205-01	COVER WELDMENT
2	2	261416	GROMMET, 3/4"
3	1	261544-05	RUBBER SEAL, 106" LG.
4	2	262940	BUMPER, 15/16" X 3/16" X 3/8"
5	1	263369	FILLER
6	3	263527	CABLE TIE MOUNTING BASE
7	2	263791	LATCH
8	1	264271	PLUG, 1/4" (MAGNETIZED)
9	1	264183	DECAL, PUMP SELECTOR SWITCH
10	1	265330-04	DECAL, HYDRAULIC FLUID LEVEL (BMR)
11	1	265734-01	DECAL, GROUND STUD
12	6	030029	BOLT, #10-24 X 1/2" LG.
13	1	030937	HEX PLUG, 1/4"
14	2	900060-3	SHOULDER SCREW, 1/4" X 1/2" LG.
15	2	901003	NYLON NUT, #10-24
16	2	902000-5	FLAT WASHER, #10 X 1/32" THK.
17	2	902013-11	FLAT WASHER, 3/8"
18	2	902011-4	LOCK WASHER, 3/8" X 3/32" THK.
19	2	901011-5	HEX HEAD NUT, 3/8"-16
20	2	904004-3	BLIND RIVET, 3/16" X 9/16"

MAXON[®] 11921 Slauson Ave. Santa Fe Springs, CA. 90670 (800) 227-4116 FAX (888) 771-7713

BOX ASSEMBLY FOR SINGLE PUMP

MAXON

11921 Slauson Ave. Santa Fe Springs, CA. 90670 (800) 227-4116 FAX (888) 771-7713

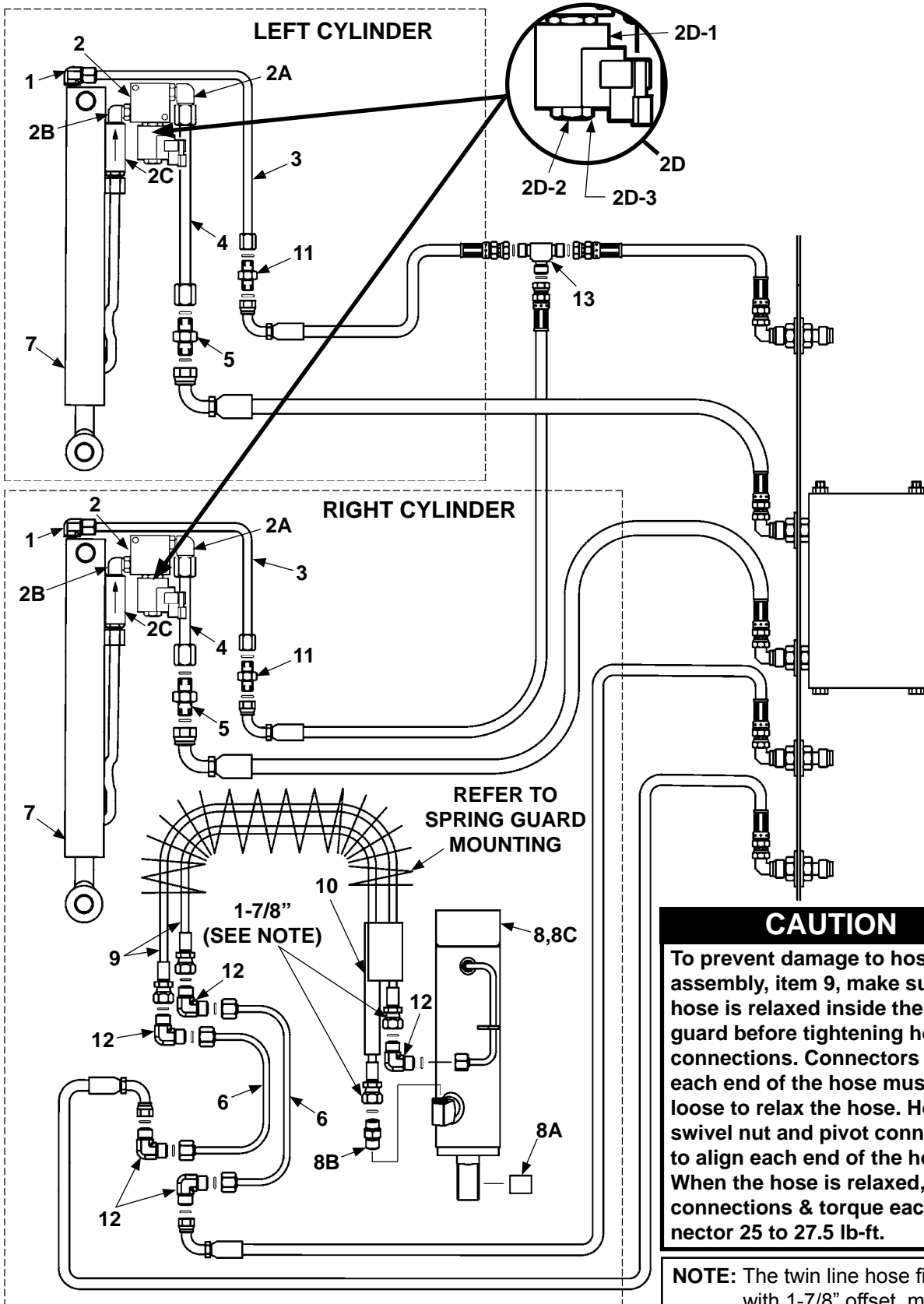


ITEM	QTY.	PART NO.	DESCRIPTION
REF	1	283065-01	BOX ASSEMBLY, SINGLE PUMP (BMRSD)
1	1	268205-01	COVER WELDMENT
2	2	263791	LATCH
3	1	261544-05	RUBBER SEAL, 100" LG.
4	1	263369	FILLER
5	6	030029	BOLT, #10-24 X 1/2" LG.
6	1	030937	HEX PLUG, 1/4"
7	1	264271	PLUG, 1/4" (MAGNETIZED)
8	2	904004-3	BLIND RIVET, 3/16" X 9/16"
9	2	262940	BUMPER, 15/16" X 3/16" X 3/8"
10	2	905213	SEMI-TUBULAR RIVET
11	1	265330-04	DECAL, HYDRAULIC FLUID LEVEL (BMR)
12	1	265734-01	DECAL, GROUND STUD
13	2	261416	GROMMET, 3/4"
14	2	902013-11	FLAT WASHER, 3/8"
15	2	902011-4	LOCK WASHER, 3/8" X 3/32" THK.
16	2	901011-5	HEX HEAD NUT, 3/8"-16

HYDRAULIC COMPONENTS

MAXON

11921 Slauson Ave. Santa Fe Springs, CA. 90670 (800) 227-4116 FAX (888) 771-7713



CAUTION

To prevent damage to hose assembly, item 9, make sure hose is relaxed inside the spring guard before tightening hose connections. Connectors on each end of the hose must be loose to relax the hose. Hold swivel nut and pivot connector to align each end of the hose. When the hose is relaxed, make connections & torque each connector 25 to 27.5 lb-ft.

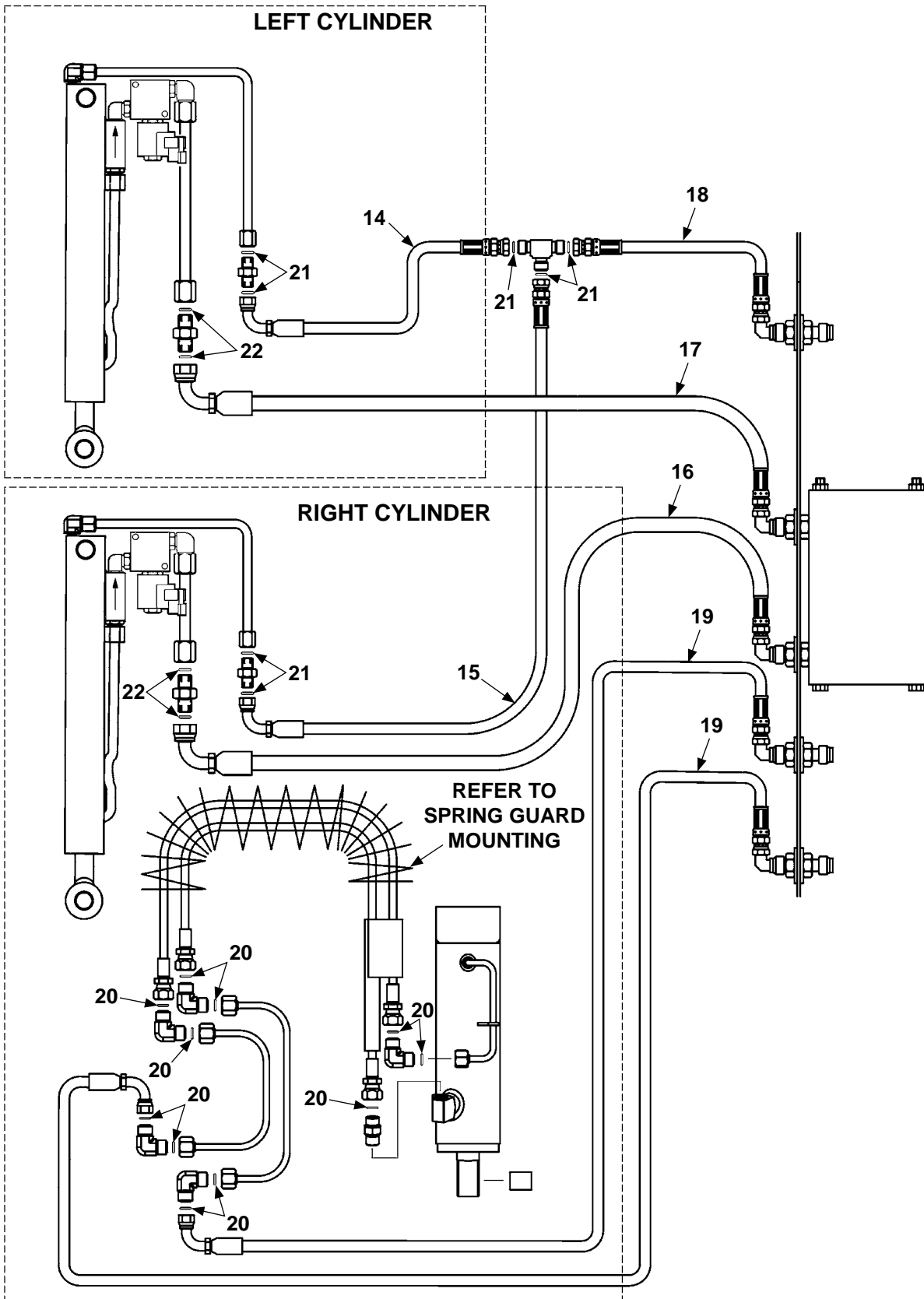
NOTE: The twin line hose fittings, with 1-7/8" offset, must be connected to cylinder.

ITEM	QTY.	PART NO.	DESCRIPTION
1	2	905157	ELBOW, 3/8" X 1/4" M-M
2	2	REF	HYDRAULIC LOCK VALVE
2A	2	905158	ELBOW STRAIGHT, FACE SEAL #8, O-RING, #6 M-M
2B	2	260164	ELBOW 90°, O-RING, #6 M-M 1/4" NPTF
2C	2	269132-01	VALVE ASSY, PRESSURE COMPENSATED, 3GPM
2D	2	282999-01	HYDRAULIC LOCK VALVE ASSY
2D-1	1	906841-01	COIL, 12 VDC
2D-2	1	906840-01	VALVE CARTRIDGE (2W2P)
2D-3	1	906840-02	NUT, CARTRIDGE VALVE
3	2	280629-01	FACE SEAL TUBE ASSEMBLY, RETURN LINE
4	2	280628-01	FACE SEAL TUBE ASSEMBLY, LIFT LINE
5	2	905161	UNION, #8 M-M
6	2	268008-01	TUBE ASSEMBLY
7	2	280663-01	CYLINDER, 1-3/4" BORE X 53-1/8" STROKE (BMRSD-33/-44)
		280663-02	CYLINDER, 2" BORE X 53-1/8" STROKE (BMRSD-55/-66)
8	1	268125-01	CYLINDER ASSY, 2-1/2" BORE, 5-3/4" STROKE
8A	1	253657	BEARING, SELF LUBE DIA. 1" I.D. X 1" LG.
8B	1	905179	CONNECTOR, FACE SEAL #4, O-RING, #6 M-M
8C	1	290060	SEAL KIT (CYLINDER)
9	1	268126-01	HOSE, TWIN LINE, OPENING & CLOSING
10	1	268128-01	RUBBER SPACER
11	2	905175	UNION, FACE SEAL, #6 M-M
12	5	906792-01	UNION, ELBOW, FACE SEAL #4M-#4M 90 DEG
13	1	905150	TEE, UNION 3/8" FACE SEAL MALE, 6-JLO

HYDRAULIC COMPONENTS - Continued

MAXON

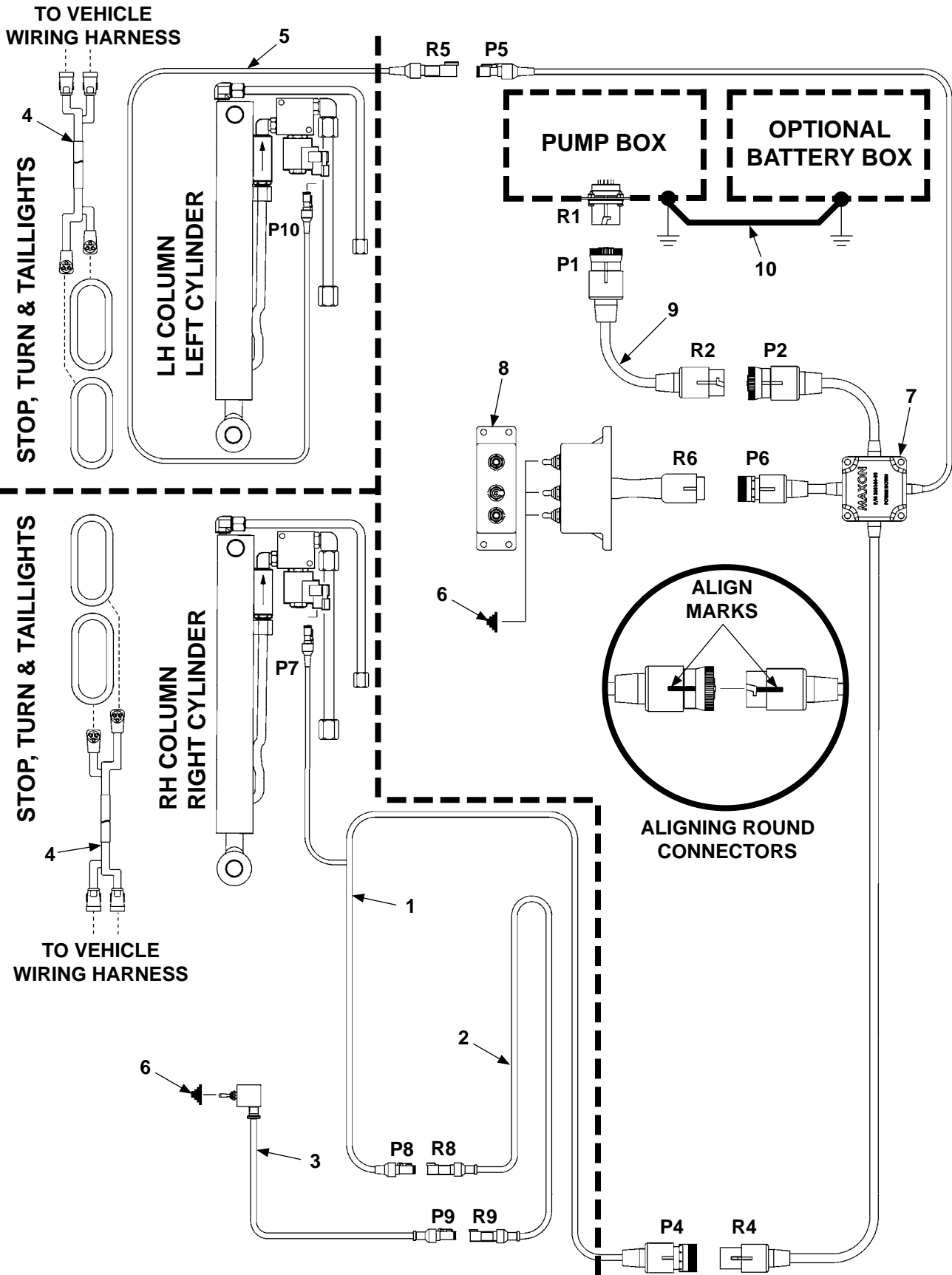
11921 Slauson Ave. Santa Fe Springs, CA. 90670 (800) 227-4116 FAX (888) 771-7713



ITEM	QTY.	PART NO.	DESCRIPTION
14	1	264294-02	HP HOSE 1/4", 100" LG.
15	1	264294-03	HP HOSE 1/4", 24" LG.
16	1	280223-01	HP HOSE 3/8", 64" LG.
		280223-03	HP HOSE 3/8", 196" LG.
		280223-05	HP HOSE 3/8", 316" LG.
17	1	280223-02	HP HOSE 3/8", 142" LG.
		280223-04	HP HOSE 3/8", 274" LG.
		280223-06	HP HOSE 3/8", 394" LG.
18	1	280229-01	HP HOSE 1/4", 34" LG.
		280229-02	HP HOSE 1/4", 166" LG.
		280229-03	HP HOSE 1/4", 286" LG.
19	2	280232-01	HP HOSE 1/4", 56" LG.
		280232-02	HP HOSE 1/4", 188" LG.
		280232-03	HP HOSE 1/4", 308" LG.
20	11	906712-01	O-RING, #4 (1/4" FACE SEAL TUBE-END)
21	7	906712-02	O-RING, #6 (3/8" FACE SEAL TUBE-END)
22	4	906712-03	O-RING, #8 (1/2" FACE SEAL TUBE-END)

ELECTRICAL COMPONENTS SECTION

ELECTRICAL COMPONENTS



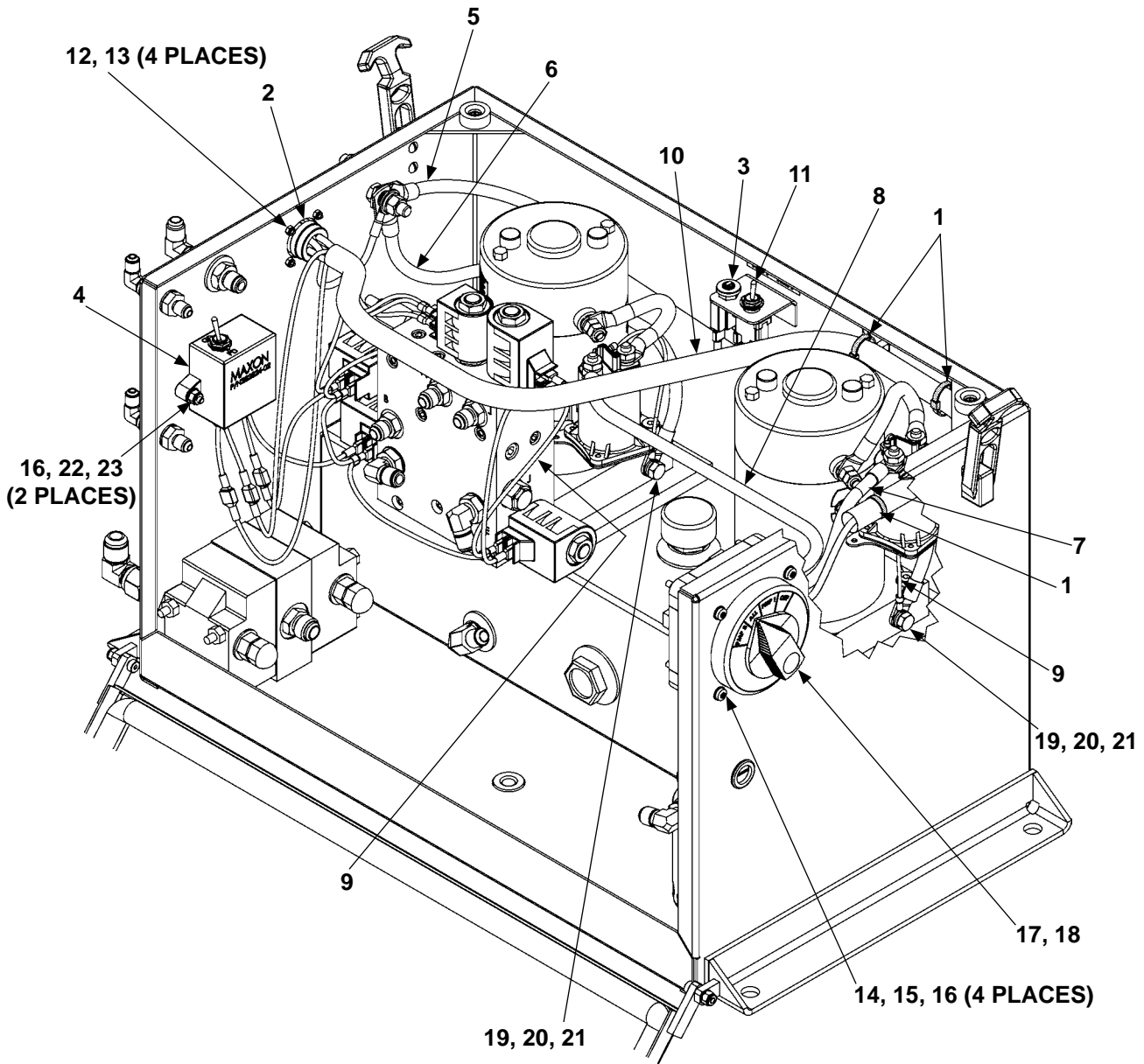
MAXON

11921 Slauson Ave. Santa Fe Springs, CA. 90670 (800) 227-4116 FAX (888) 771-7713

NOTE: MAXON recommends using dielectric grease on all electrical connections.

ITEM	QTY.	PART NO.	DESCRIPTION
1	1	268140-01	HARNESS, MOLDED
2	1	268141-01	CABLE FLEXIBLE, MOLDED
3	1	268142-01	SWITCH & CABLE, MOLDED
4	2	280625-01	HARNESS ASSEMBLY, STOP/TAIL LIGHTS
5	1	268146-01	CABLE, MOLDED, 90" LG.
6	4	905206	SWITCH SEAL BOOT, HALF-TOGGLE
7	1	268144-01	HARNESS INTCON, POWER DOWN, MOLDED
8	1	268145-01	CONTROL BOX, POWER DOWN, POWER OPEN
9	1	268143-02	CABLE EXTENSION, MOLDED, 63" LG.
		268143-03	CABLE EXTENSION, MOLDED, 147" LG.
		268143-04	CABLE EXTENSION, MOLDED, 267" LG.
10	1	268226-06	CABLE, 2 GA, 74" LG. (ELECTRICAL GROUND)

ELECTRICAL COMPONENTS - DUAL PUMP BOX



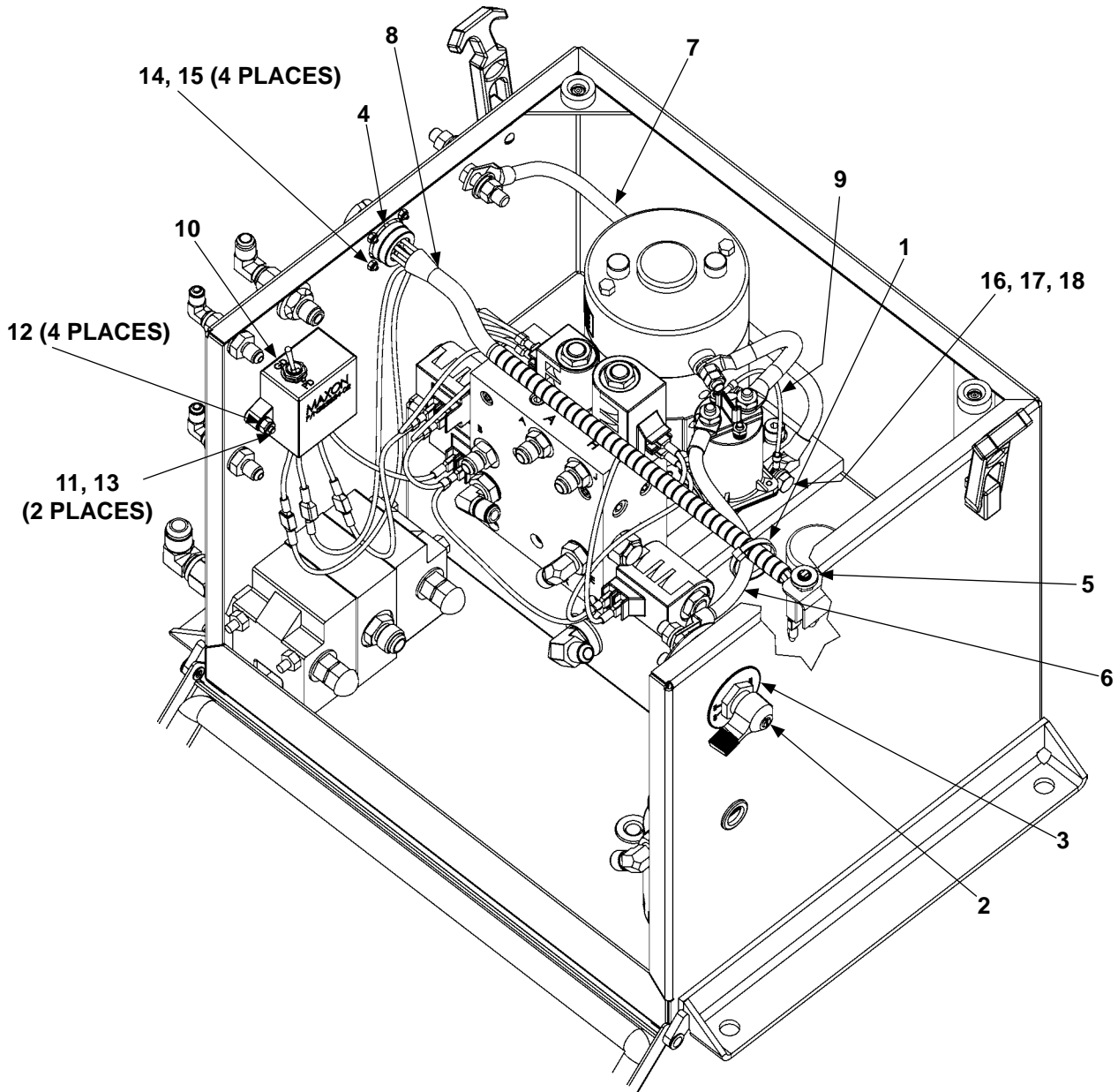
NOTE: MAXON recommends using dielectric grease on all electrical connections.

MAXON®

11921 Slauson Ave. Santa Fe Springs, CA. 90670 (800) 227-4116 FAX (888) 771-7713

ITEM	QTY.	PART NO.	DESCRIPTION
REF	1	283080-01	DUAL PUMP ASSEMBLY (BMRSD)
1	3	205780	TIE, PLASTIC 7" LG.
2	1	263802-02	GASKET, CONNECTOR (6 PIN)
3	1	264179	CIRCUIT BREAKER, 10 AMP
4	1	282824-02	SWITCH ASSEMBLY (POWER DOWN ON DEMAND)
5	1	268226-02	CABLE ASSY, 2GA, 28" LG.
6	1	268226-04	CABLE ASSY, 2GA, 14" LG.
7	1	268226-08	CABLE ASSY, 2GA, 9" LG.
8	1	268226-07	CABLE ASSY, 2GA, 18" LG.
9	2	268342-01	WIRE ASSY, 16GA, 7" LG.
10	1	283082-01	HARNESS, DUAL PUMP (BMRSD)
11	1	906577-01	TOGGLE SWITCH (PUMP SELECTOR)
12	4	900709-08	PAN HEAD SCREW, #4-40 X 1/2" LG.
13	4	901007	LOCK NUT, NYLON, #4-40, GR8
14	4	900753-15	PAN HEAD SCREW, 10"-24 X 2 1/4" LG.
15	8	903444-01	FLAT WASHER, #10 (STAINLESS STEEL)
16	6	901003	NYLON NUT, #10-24
17	1	906590-01	SWITCH, MASTER DISCONNECT
18	1	906591-01	O-RING
19	2	900009-1	CAP SCREW, 5/16"-18 X 5/8" LG, GR8
20	2	902000-8	FLAT WASHER, 5/16" X 1/16" THK.
21	2	902011-3	LOCK WASHER, 5/16" X 5/64" THK, GR8
22	2	902013-07	FLAT WASHER, #10
23	2	900753-09	PAN HEAD SCREW, #10-24 X 1" LG.

ELECTRICAL COMPONENTS - SINGLE PUMP BOX

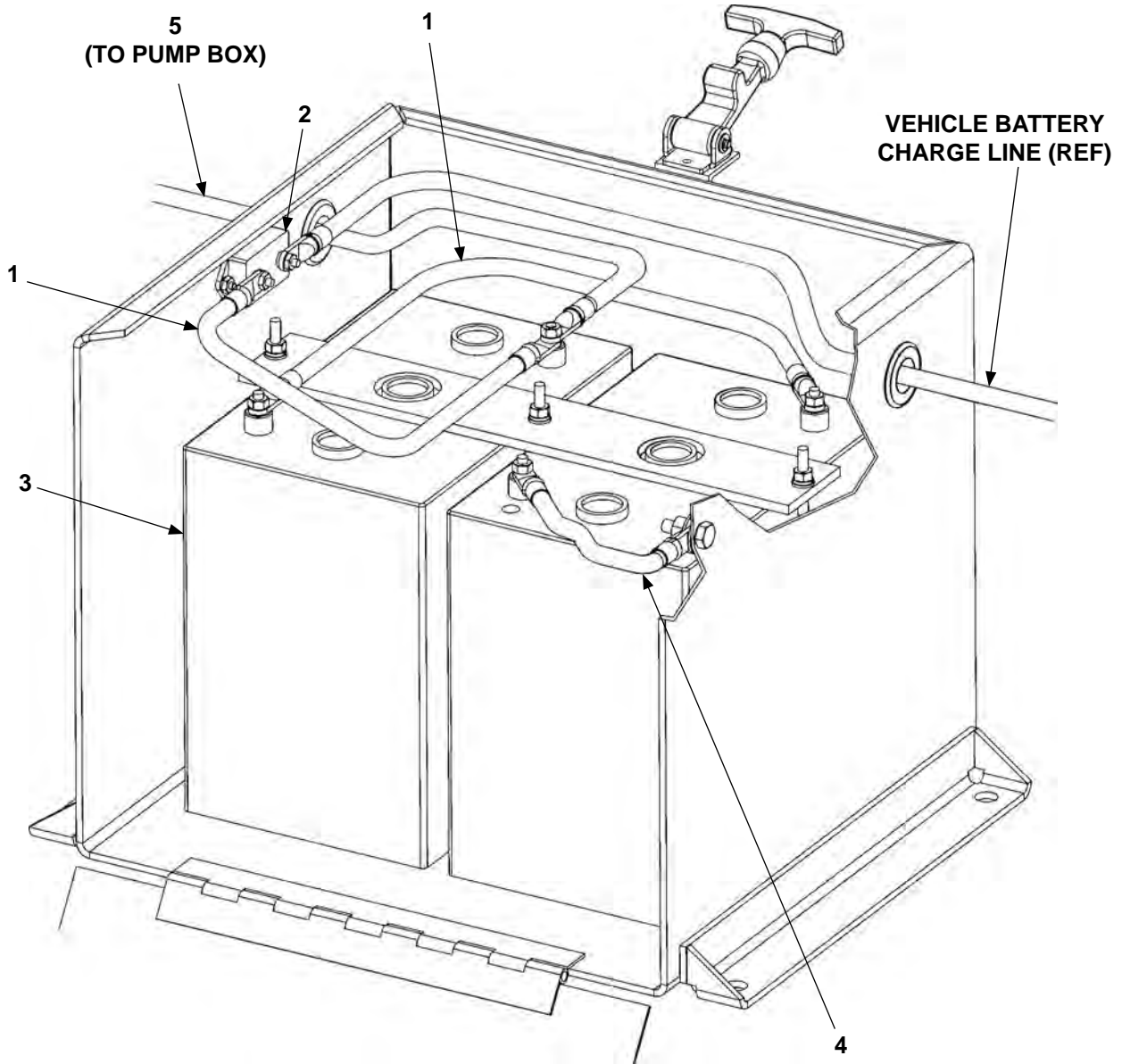


NOTE: MAXON recommends using dielectric grease on all electrical connections.

MAXON[®] 11921 Slauson Ave. Santa Fe Springs, CA. 90670 (800) 227-4116 FAX (888) 771-7713

ITEM	QTY.	PART NO.	DESCRIPTION
REF	1	283310-01	SINGLE PUMP ASSEMBLY (BMRSD)
1	1	205780	TIE, PLASTIC 7" LG.
2	1	228754	MASTER SWITCH, O-RING SEALED SHAFT
3	1	228755	PLATE, SWITCH FACE
4	1	283802-02	GASKET, CONNECTOR (6 PIN)
5	1	264179	CIRCUIT BREAKER, 10 AMP
6	1	268226-01	CABLE ASSEMBLY, 2 GA, 10" LG.
7	1	268226-04	CABLE ASSEMBLY, 2 GA, 14" LG.
8	1	283311-01	HARNESS, SINGLE PUMP (BMRSD)
9	1	283342-01	WIRE ASSY, 16 GA, 7" LG.
10	1	282824-02	SWITCH ASSEMBLY (POWER DOWN ON DEMAND)
11	2	900753-09	PAN HEAD SCREW, #10-24 X 1" LG.
12	4	903444-01	FLAT WASHER, #10 (STAINLESS STEEL)
13	2	901003	NYLON NUT, #10-24
14	4	900709-08	PAN HEAD SCREW, #4-40 X 1/2" LG.
15	4	901007	LOCK NUT, NYLON, #4-40, GR8
16	1	900009-1	CAP SCREW, 5/16"-18 X 5/8" LG, GR8
17	1	902011-3	LOCK WASHER, 5/16" X 5/64" THK, GR8
18	1	902000-8	FLAT WASHER, 5/16" X 1/16" THK.

ELECTRICAL COMPONENTS - BATTERY BOX



NOTE: MAXON recommends using dielectric grease on all electrical connections.

ITEM	QTY.	PART NO.	DESCRIPTION
1	2	251871-05	CABLE ASSEMBLY
2	1	221736	CIRCUIT BREAKER 150 AMP
3	2	250934	BATTERY, 6V HEAVY DUTY
4	1	251871-14	CABLE ASSEMBLY
5	1	251871-11	CABLE ASSEMBLY

MAXON[®]

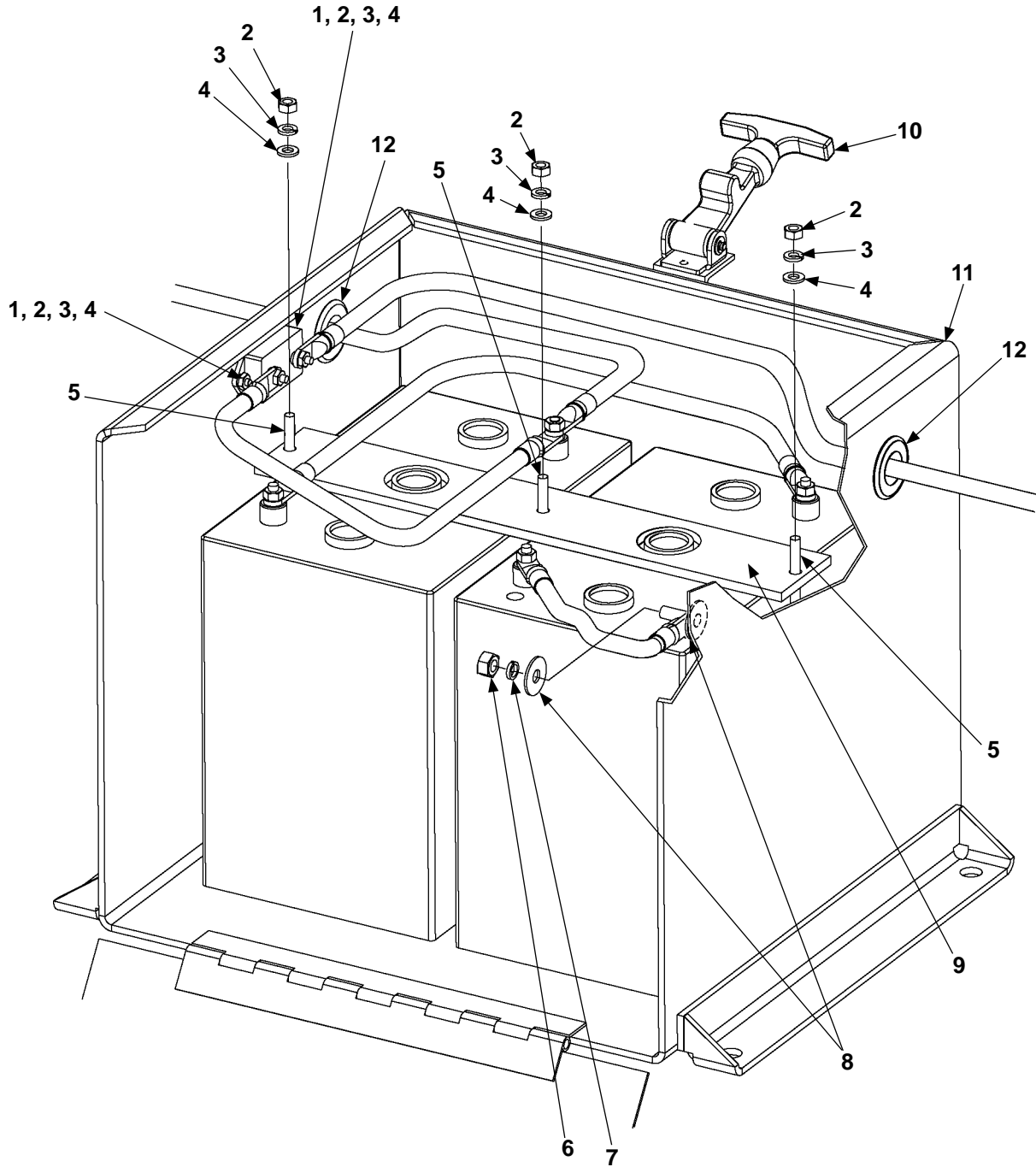
11921 Slauson Ave. Santa Fe Springs, CA. 90670 (800) 227-4116 FAX (888) 771-7713

THIS PAGE INTENTIONALLY LEFT BLANK

BATTERY BOX

MAXON

11921 Slauson Ave. Santa Fe Springs, CA. 90670 (800) 227-4116 FAX (888) 771-7713



ITEM	QTY.	PART NO.	DESCRIPTION
1	2	900002-4	PAN HEAD SCREW, 1/4"-20 X 1"
2	5	901011-1	HEX NUT, 1/4"-20
3	5	902011-2	LOCK WASHER, 1/4"
4	7	902000-1	FLAT WASHER, 1/4"
5	3	227722	ROD, L-SHAPE BATTERY HOLD DOWN
6	1	901005	HEX NUT, 5/16"-18", GR8
7	1	902011-3	LOCK WASHER, 5/16", GR8
8	2	902000-7	FLAT WASHER, 5/16", GR8
9	1	250479	BRACKET (BATTERY HOLD DOWN)
10	1	215139	CATCH & FASTENER
11	1	264022-200	DUAL BATTERY BOX
12	2	251097	GROMMET, RUBBER 7/8 X 1-5/8

MAXON[®] 11921 Slauson Ave. Santa Fe Springs, CA. 90670 (800) 227-4116 FAX (888) 771-7713

