

# ALUMINUM COMPONENT KITS FOR **YANMAR** POWERED GENERATOR SETS

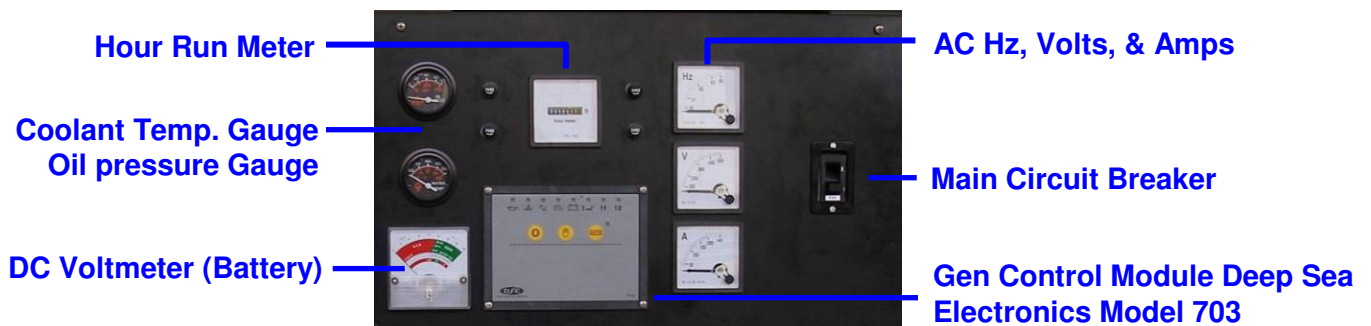


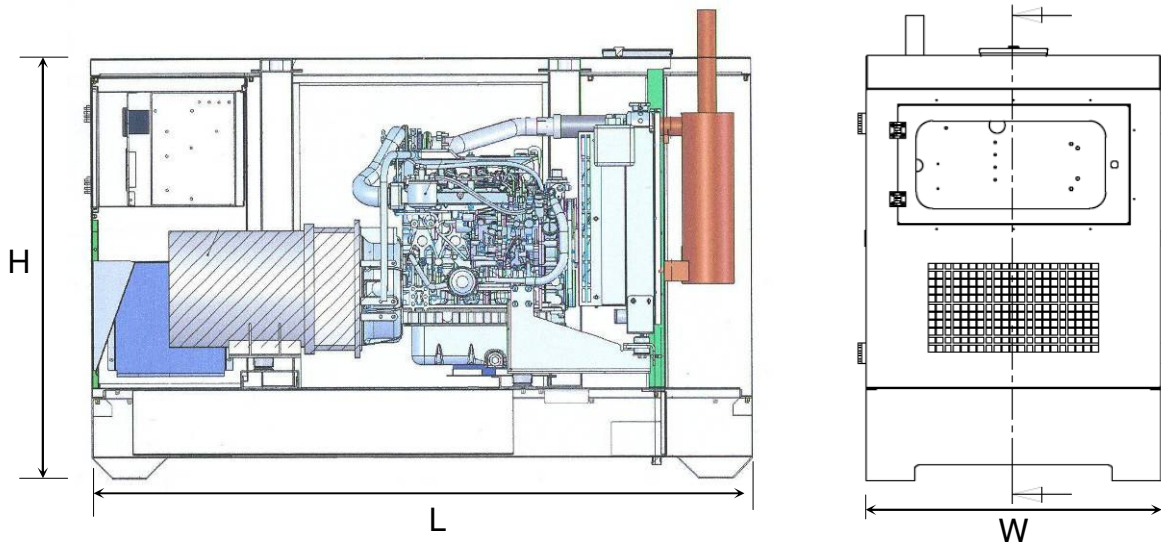
- Heavy-duty water-cooled **YANMAR** engine series TNV
  - Designed for Tier III engines (Tier II compatible)
- 12-lead continuous duty **COLISEUM** generator
  - Oversized able to operate single or three phase at full power
  - Insulation class H, vacuum impregnated and tropicalized
- Aluminum enclosure, sound attenuated and weather-proof housing
- Lockable doors and control panel window
- Lockable door on top of enclosure for filling radiator fluid
- Four lifting eyes for lifting complete gen set
- Rugged steel welded base and fuel tank for 24-hrs operation

---

## Control Panel

(Optional Voltage Selector Switch)





POWER	ACGS14Y	ACGS18Y	ACGS22Y	ACGS37Y	ACGS44Y
1 $\phi$ Continuous Duty	12.6 kW	17 kW	21 kW	32 kW	40 kW
1 $\phi$ Standby Duty	13.8 kW	18.5 kW	23.5 kW	36.5 kW	45 kW
1 $\phi$ Power Factor	1	1	1	1	1
3 $\phi$ Continuous Duty	12.6 kW	17 kW	21 kW	32 kW	40 kW
3 $\phi$ Standby Duty	13.8 kW	18.5 kW	23.5 kW	36.5 kW	45 kW
3 $\phi$ Power Factor	0.8	0.8	0.8	0.8	0.8
GENERATOR HEAD					
Model	GB20	GB25	GB30	GB50	GB60
kW 3 phase Rating	20 kW	25 kW	30 kW	50 kW	60 kW
Number of Stator Leads	12	12	12	12	12
Frequency	60 Hz	60 Hz	60 Hz	60 Hz	60 Hz
Running Speed ( RPM )	1800	1800	1800	1800	1800
Temperature Rise	105°C	105°C	105°C	105°C	105°C
Ambient Temperature	40°C	40°C	40°C	40°C	40°C
Insulation Class	H 180°C	H 180°C	H 180°C	H 180°C	H 180°C
ENGINE					
Model	3TNV88-BGGE	4TNV88-BGGE	4TNV84T-BGGE	4TNV98-ZGGE	4TNV98T-ZGGE
Power Rating ISO 3046(ICN)	14.7 kW	19.6 kW	24.2 kW	36.4 kW	45.6 kW
PRP Prime Power	1800 RPM	1800 RPM	1800 RPM	1800 RPM	1800 RPM
Power Rating ISO 3046(IFN)	16.2 kW	21.6 kW	26.8 kW	40.8 kW	50.6 kW
LTP Limited Time Power	1800 RPM	1800 RPM	1800 RPM	1800 RPM	1800 RPM
Number of Cylinders	3	4	4	4	4
Bore / Stroke ( mm )	88 / 90	88 / 90	84 / 90	98 / 110	98 / 110
Displacement ( cc )	1642	2189	1995	3319	3319
Fuel Consumption per Hour, 100 %	1.0 gal ( 3.75 l )	1.33 gal ( 4.96 l )	1.53 gal ( 6.12 l )	2.30 gal ( 8.71 l )	2.50 gal ( 9.47 l )
Fuel Tank Capacity, Double-Walled	30 gal ( 114 l )	39.5 gal ( 150 l )	39.5 gal ( 150 l )	61 gal ( 231 l )	61 gal ( 231 l )
Starting System, Electrical	1.2 kW 12 V	1.4 kW 12 V	1.4 kW 12 V	2.3 kW 12 V	2.3 kW 12 V
EPA Approved	YES	YES	YES	YES	YES
ENCLOSURE					
Enclosure Protection	NEMA 3R	NEMA 3R	NEMA 3R	NEMA 3R	NEMA 3R
Enclosure (top) Material	Aluminum	Aluminum	Aluminum	Aluminum	Aluminum
Soundproofing dB at 1 m	$\leq 80$ dB	$\leq 80$ dB	$\leq 80$ dB	$\leq 80$ dB	$\leq 80$ dB
L x W x H (inches)	68 x 31.5 x 48.5	76.7 x 35.4 x 48.5	76.7 x 35.4 x 48.5	84.6 x 35.4 x 48.5	84.6 x 35.4 x 48.5
L x W x H (mm)	1750 x 800 x 1232	1950 x 900 x 1232	1950 x 900 x 1232	2150 x 900 x 1232	2150 x 900 x 1232

**FOR ADDITIONAL INFORMATION CONTACT YOUR LOCAL AUTHORIZED YANMAR DISTRIBUTOR OF ACGS SERIES GENERATOR SETS**