

# 99kW<sub>e</sub>

## MG45A99



### FEATURES AND OPTIONS

#### **Proven Reliable Generator End**

Marathon Series with PMG and DVR

#### **John Deere Basic Control Panel**

Complete engine systems monitoring including oil pressure, coolant temperature, engine hours, and engine diagnostics. Includes start/stop.

#### **Optional Control Panel**

Complete engine systems monitoring including oil pressure, coolant temperature, engine hours, and engine diagnostics. Optional panel includes monitoring for AC Volts, Amperes, and Hertz. Includes three external shutdown inputs plus remote start contacts.

#### **Fuel System**

HPCR

#### **Front PTO Capability**

Up to 664 ft lbs continuous output at rated RPM, Not to exceed engine rated HP less generator load.

#### **Auxiliary Drive Options**

Offset, 'A'/'B' Pads for keel cooled engine

#### **Engine/Generator Mounting**

- Vibration isolated
- Fully welded steel skid

#### **Corrosion Resistant Engine Components**

Provides engine protection from the effects of seawater

#### **Fresh Water Cooled Engine Options**

- High-capacity heat exchanger
- Keel cooled for reliable operation in adverse conditions

#### **Emissions/Certification**

- US EPA Marine Tier III Commercial Compliant
- EPA EIAPP documentation available
- ABS certification pending

### GENERAL DATA

#### **Engine – 4045AFM85**

Number of Cylinders.....	4
Displacement – cu. in (L).....	275 (4.5)
Bore X Stroke – in. (mm).....	107x127(4.21x5.00)
Compression Ratio.....	16.7:1
Aspiration...Turbocharged, air to coolant aftercooled	

#### **Generator, 3 Phase 120/208-277/480**

Temperature Rise.....	80 C
Drip Proof.....	Yes
PMG.....	Standard
Digital Voltage Regulator.....	Standard

#### **Package**

Weight.....	2,480 lbs (KC)
Length w PMG – in(mm).....	72.31 (1836.67)
Width – in (mm).....	34.01 (863.85)
Height – in (mm).....	42.15 (1076.60)



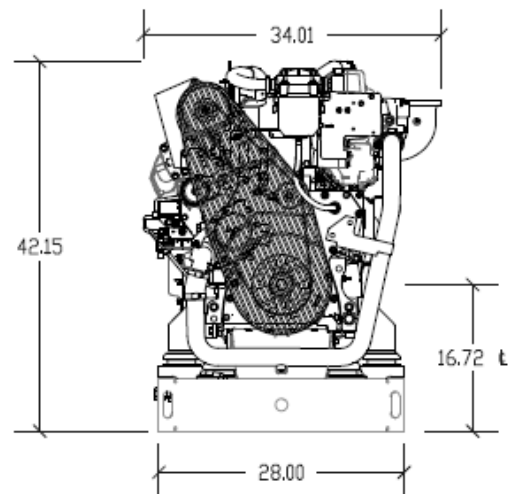
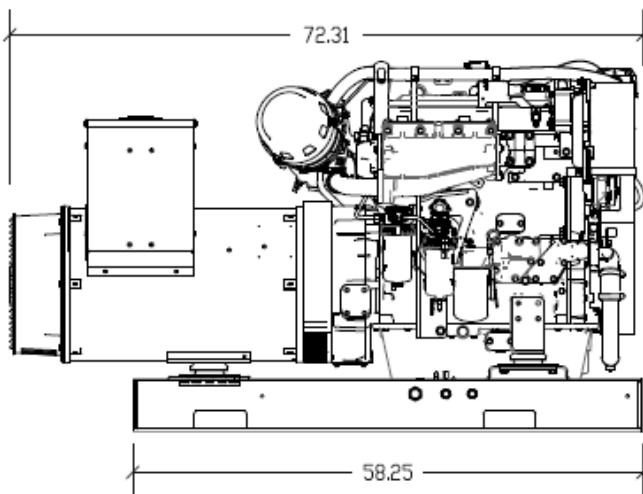
# JOHN DEERE

# Marine Gensets

## Generator Engine Performance Data

Engine Power	Crank Power		Crank Torque		Fuel Consumption		BSFC
	kW	HP	Nm	lb-ft	L/hr	gal/hr	
<b>25%</b>	27.5	36.9	145.9	107.6	9.1	2.4	280.7
<b>50%</b>	55.0	73.8	291.8	215.2	16.1	4.3	248.8
<b>75%</b>	82.5	110.6	437.7	322.8	22.4	5.9	231.1
<b>100%</b>	110.0	147.5	583.6	430.4	28.9	7.6	223.3
<b>110%</b>	121.0	162.3	642.0	473.5	31.6	8.3	221.8

## Dimensions



Data based on keel cooled engine  
Specifications and design subject to change without notice



# JOHN DEERE