

**Detects  
and Rejects  
Defects®**



**AutoMate®**  
TECHNOLOGIES LLC



# **BOTTLING INSPECTION CENTER**

(For Non Contact / Non Destructive Testing)

## **2 Models For All of Your Online Inspection Needs**



**Model  
AM-DA**



**Model  
AM-QC**



**MADE IN**  
  
**THE USA**

**"Your Partner in Productivity  
and Automation®" .... Since 1980**

**Auto-Mate Technologies, LLC**  
34 Hinda Blvd.  
Riverhead, NY 11901-3125 USA  
P: 631-727-8886  
F: 631-369-3903  
[www.AutoMateTech.com](http://www.AutoMateTech.com)

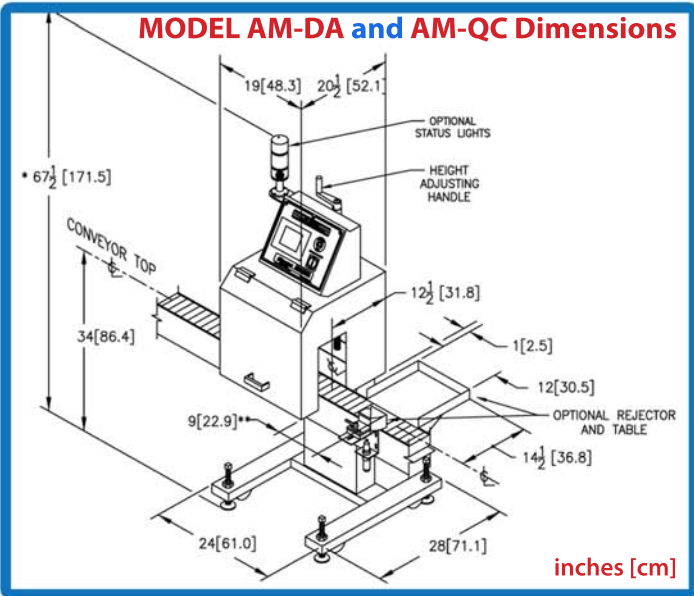
# AM-DA & AM-QC SPECIFICATIONS

## Check For:

- Missing Caps
- Crooked/Loose Caps
- Crooked/Incorrect Labels\*
- Missing Labels
- Missing Induction Foil Seals
- Missing Neck Bands
- Color Correctness
- Date-Lot Presence\*
- Cotton Placement
- Conveyor Speed Monitoring\*
- Cap Torque Verification\*
- Fallen Bottle Detector
- Stalled Bottle Detection
- Low Air Pressure Verification
- Gross Fill Level Verification
- Conveyor Backup Detection with Alarm
- Bar Code Verification\*

## Features:

- Small footprint fits existing lines easily
- Heavy duty one piece frame to fit over your existing conveyor or ours
- Proprietary "Modular" sensor systems with patented tool-less clamps to easily add features as your production requires
- Outputs and controls for reject system and reject verification
- Stack lights, alarms and on-screen event data to maximize production
- Ideal for vials to gallon bottles, tubes, boxes, etc.
- Bottle Separators for special applications
- Custom inspection modules to suit your exact needs
- Camera Inspection/Verification
- USB and/or Ethernet Connections\*
- Interlocking Safety Guarding
- Quick Tool-less Changeovers
- Non-Contact / Non Destructive Testing
- Portable Frame with Locking Casters
- 50-120 Recipe Capability
- Consecutive Fault Indicator
- Multi-Level Password Protected
- Rate Meter/Bottle Counter/FaultCounter
- Reject System with Reject Verification and Full Tray Alert
- Color Touch Screen with Easy Setup Operations
- Both models are ideal for the quality control minded packager



ASK US ABOUT OUR **LABEL-VANTAGE®** LABELERS AND OUR **SMART SEAL®** WATERLESS CAP SEALERS®

\*Available on the AM-QC Only



COPYRIGHT 2012-2013  
 AUTO-MATE TECHNOLOGIES, LLC  
 US AND FOREIGN PATENTS,  
 OTHERS PENDING

