

Economical, Easy-to-use, Patented Clutch Design For Consistent Torque

Easy-Kap®

HAND-HELD CAPPER

WITH CAP-ABILITY®

STANDARD FEATURES:

- Up to 40+ cappings per minute
- Comes complete with balanced mounting suspension system to minimize operator fatigue
- Tightening torques up to 40 Lb.- in.
- Chuck sizes available to handle a wide range of cap sizes and types
- The only unit available with the exclusive Kaps-All® patented adjustable Dial-A-Torque™ clutch system
- Ideal for both in-case capping and on-line capping
- In stock for fast delivery



MODEL P-700



The Proven Standard @ . . . Since 1941.

KAPS-ALL
PACKAGING SYSTEMS, INC.

KAPS-ALL CAPPER®

FILLS-ALL®

FEED SYSTEMS®

ORIENTAINER®

200 Mill Road, Riverhead, NY 11901-3125 USA
TEL (631) 727-0300 • FAX (631) 369-5939

www.kapsall.com

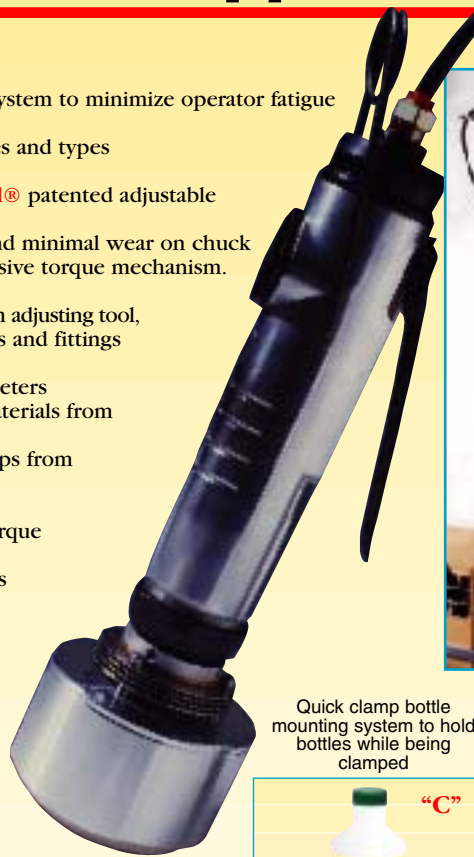
Easy-Kap® Hand-Held Capper

ADDITIONAL FEATURES:

- Up to 40+ cappings per minute
- Comes complete with balanced mounting suspension system to minimize operator fatigue
- Tightening torques up to 40 Lb.-in. (4.6 N-m)
- Chuck sizes available to handle a wide range of cap sizes and types
- Full 2 year guarantee on power drive unit and clutch
- The only unit on the market with the exclusive, **Kaps-All®** patented adjustable "Dial-A-Torque"™ clutch system
- Unlike other units on the market, a consistent torque and minimal wear on chuck inserts can be expected with the fully adjustable, exclusive torque mechanism.
- Ideal for both in-case capping and on-line capping
- Units come complete with balancer, chuck, clutch, clutch adjusting tool, cap driver insert, filter-regulator, lubricator and all tubings and fittings needed for immediate operation
- Chuck and chuck insert can handle a range of cap diameters
- Capable of tightening both screw and lug caps of all materials from 15mm diameter and up to 83mm diameter
- Model **P-700-R** can be used as a de-capper to remove caps from containers and also as capper to tighten caps
- Requires minimal floor or bench space
- The need to rely on air flow and pressure for desired torque is eliminated
- Both Model **P-700** and **P-700-R** are suitable for hazardous location environments
- Push to start lever and automatic torque stop feature simplifies operator use
- In stock and available for fast delivery

OPTIONAL EQUIPMENT:

- Vertical support system for balancer and cap driver to secure directly to table or conveyor (See photo "A")
- Table mounted, lever-actuated capper stand (see photo "B")
- Torque reading tool to accurately determine and adjust torque settings on adjustable "Dial-A-Torque"™ clutch systems
- Anti-torque arm eliminates operator fatigue and increases safety for long term use on pole support system "A"
- Quick clamp bottle mounting system to hold small bottles while being clamped "C"



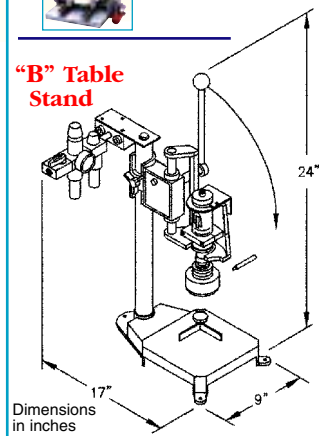
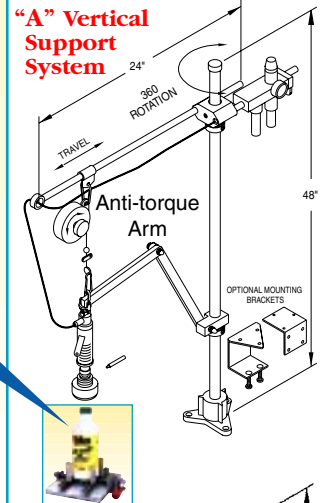
Model P-700R with reversible drive



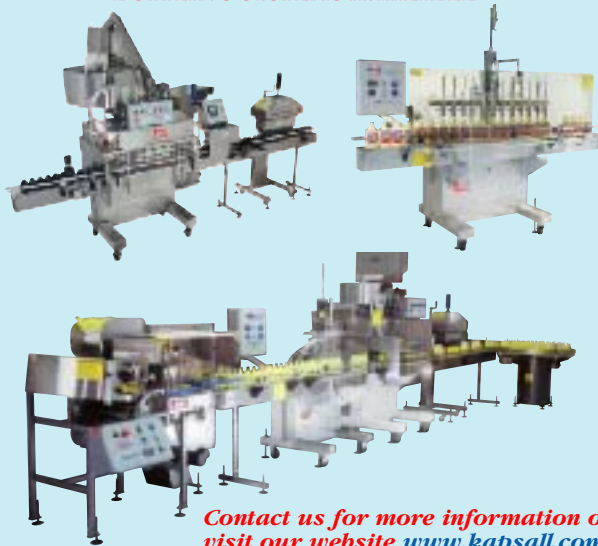
Quick clamp bottle mounting system to hold bottles while being clamped



DIMENSIONS:



COMPLETE PACKAGING AND BOTTLING SYSTEMS AVAILABLE



Contact us for more information or visit our website www.kapsall.com



Table mounted, lever-actuated capper stand

The Proven Standard®... Since 1941.

KAPS-ALL
PACKAGING SYSTEMS, INC.
KAPS-ALL CAPPER® FILLS-ALL®
FEED SYSTEMS® ORIENTAINER®

www.kapsall.com

Note: Due to Kaps-All Packaging Systems, Inc. commitment to maintain leadership in the filling and bottling industry, dimensions and specifications are subject to change without notice.



KAPS-ALL PACKAGING SYSTEMS, INC.
200 Mill Road, Riverhead, NY 11901-3125 USA
Tel (631) 727-0300 • Fax (631) 369-5939



- **KAPS-ALL®** Bottle Cappers and Cap Tighteners
- **FILLS-ALL®** Rotary and Straight Line Automatic and Semi-Automatic Liquid Fillers
- Bulk Loaders • **FEED SYSTEMS®** Rotary and Escalator Parts Feeders • **ORIENTAINER®** Bottle Orienters and Unscramblers
- Accumulators • **CLEAN-N-VAC®** Bottle Cleaners • **CONVEYS-ALL®** Conveyor Systems • Ball Placers • Bottle Carriers
- Heat Induction **WATERLESS CAP SEALER®** • Inspection Systems • **EASY KAP®** Hand Cappers • Desiccant Inserters
- Electronic Torque Metering and Monitoring • Custom Packaging Machinery •