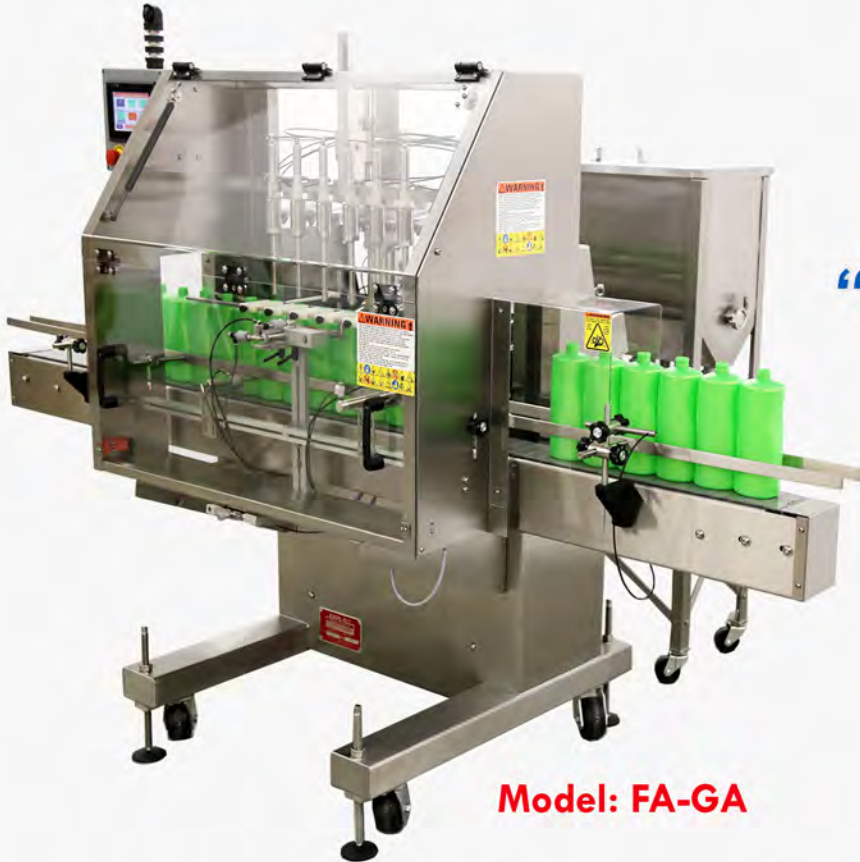


FILLS-ALL[®] AUTOMATIC & SEMI-AUTOMATIC METERING PUMP FILLERS

Fill Water-like to Viscous Products ... Vials to Gallons



Model: FA-GA

**Two Models To Best
“Full-Fill Your Needs”[®]**



Model: FA-GB

- **Volumetric Filling With High Accuracy and Dripless Precision**
- **Ideal for Pharmaceuticals, Foods, Industrial Chemicals, Bio-tech, Cosmetics, Health-Care, etc.**
- **Rugged Compact Stainless Steel Construction**
- **Fast Easy Tool-Less Setup and Cleaning**
- **Available with Interchangeable Metering pump Sizes to Best Suit Your Products**
- **2 Year Guarantee - The Longest in The Industry**

**The Proven Standard[®]
...Since 1941**

**KAPS-ALL
PACKAGING SYSTEMS^{INC.}**
KAPS-ALL CAPPER[®] FILLS-ALL[®]
FEED SYSTEMS[®] ORIENTAINER[®]

200 Mill Rd., Riverhead, NY 11901 USA Phone: 631-727-0300 Fax: 631-369-5939 www.KapsAll.com

METERING PUMP FILLER MODEL: FA-GA (AUTOMATIC)

**Volumetrically
Fill Water-like to
Viscous Products and
Vials to Gallons on
One Machine!**

Advanced color touch screen controls for ease of operation: Recipes, Multi-Level Password Protection, Accurate High Speed Fill Dispensing, Quick Changeovers, etc.

All Washdown Controls for Easy Cleaning

Advanced Controls Upgradeable from Two - Twelve Nozzles

8' 6" long Stainless Steel Conveyor With Patented Automatic Bottle Gating System

Sanitary Product Ferrules For Ease of Pump Setup and Cleaning

S.S. Positive Closed tip Nozzles and Check Valve Nozzles from 1/8" to 1" diameter for a Precise Drip-Free Fill Every Time Without the Need for Drip Pans

S.S. Patented Adjustable Conveyor Rail Mounts for Easy Adjustment

Stainless Steel Portable Frame on Swivel Casters with Floor Pads And Adjustable S.S. Leveling Screws

Compact Design. (Dimensions on Page 4)

Metering Pumps Available for Ambient and Hot Fills as Needed

Easy to Add More Metering Pumps and Additional Nozzles

LED Indicator Stack Light

Fully adjustable Diving Nozzles

Enclosed SS/Lexan Safety Guarding with Interlocks

Conveyor Safety Sensor for Backed-up Bottles

S.S. Standard 8.5 foot Conveyor (Other lengths Available for Your Exact Needs)

Bottle Neck Centering for Positive Nozzle Entry

Model: FA-GA

Touchscreen Allows Numerous Features:

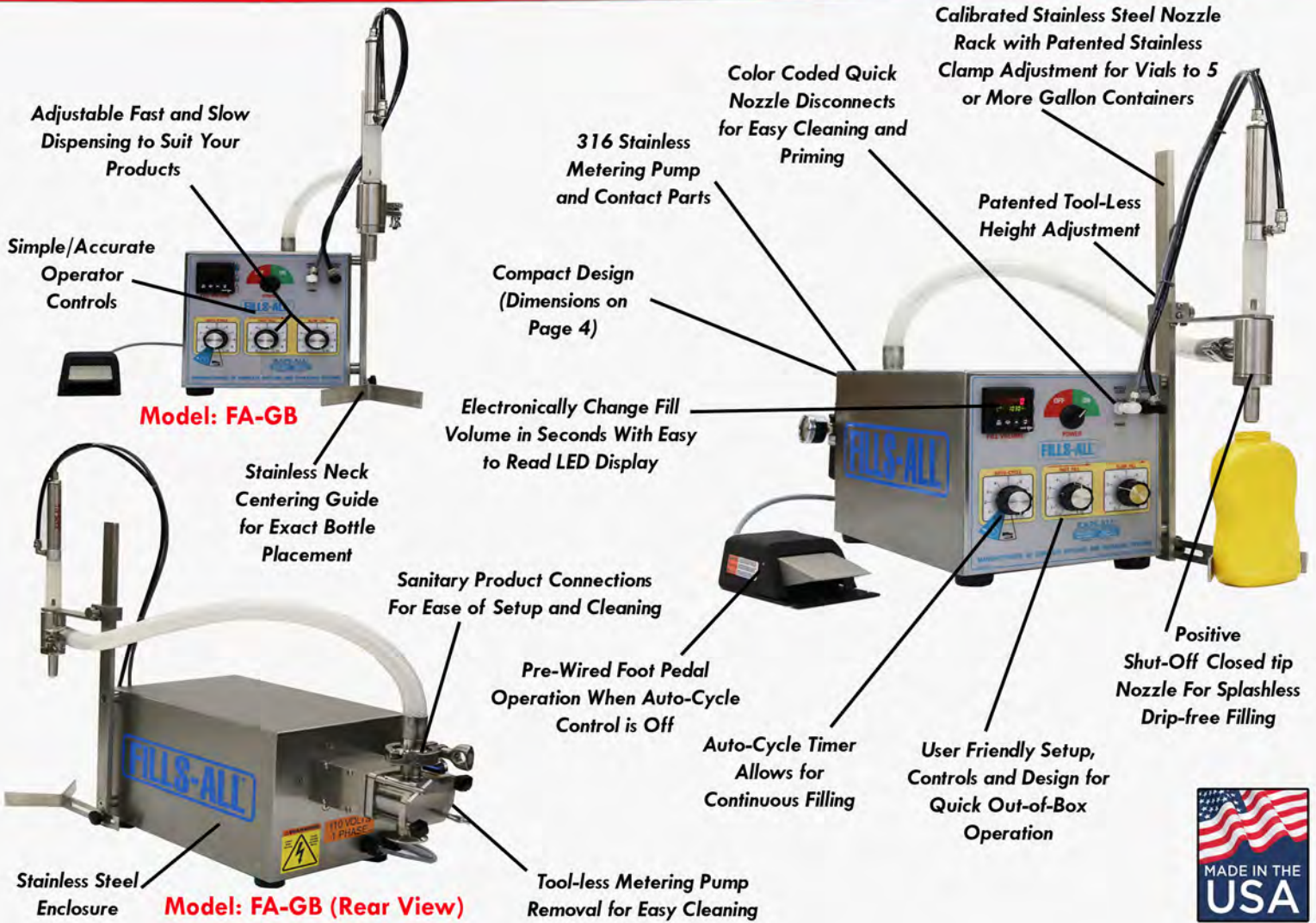
1. Intermittent/Continuous Conveyor Operation
2. Automatic Maintenance Reminder
3. Fast/Slow Speed Adjustment
4. Recipes for over 100 SKUs
5. Multi-Level Passwords
6. I/O Status Display
7. Bottle Counters
8. Diving Nozzle selector
9. Cleaning/Priming Controls
10. Individual Fill Pump Settings
11. Conveyor Speed Settings
12. On Screen Photoeye setup ... and more



Sample of Typical Screens on Model FA-GA:

| | | | |
|--|--|---|--|
| E-STOP 99999 (BOTTLE COUNTER) 70 (START FILLING) 70 (STOP FILLING) 70 (CONVEYOR OFF) | | PUMP 1 SETTINGS FAST SPEED (0-100%): 75 FAST SPEED (PULSES): 2000 SLOW SPEED (0-100%): 25 SLOW SPEED (PULSES): 3000 TOTAL FILL (PULSES): 5000 | |
| OUTPUTS PAGE 1 OF 2 0/ TEACH PE 1 1/ TEACH PE 2 2/ IN GATE STOP 3/ EXIT GATE STOP 4/ NOZZLE RACK 5/ DISCHARGE 6/ NECK CLAMP DRIP PAN 7/ RAPID RISE 8/ RED LAMP 9/ YELLOW LAMP | | FILL PUMP SUMMARY #1 ENABLED #2 ENABLED #3 ENABLED #4 ENABLED #5 ENABLED #6 ENABLED #7 ENABLED #8 ENABLED #9 ENABLED | |
| CLEAN PUMP SPEED: 75 SET TIME: 2 MINUTES TIME REMAINING: 2:00 | | PHOTOEYE SETUP SENSE: FULL, EMPTY, RAIL JAM TEACH: FULL, EMPTY, RAIL JAM | |

METERING PUMP FILLER MODEL: FA-GB (SEMI-AUTOMATIC)



Adjustable Fast and Slow Dispensing to Suit Your Products

Simple/Accurate Operator Controls

Model: FA-GB

Stainless Neck Centering Guide for Exact Bottle Placement

Sanitary Product Connections For Ease of Setup and Cleaning

Stainless Steel Enclosure

Model: FA-GB (Rear View)

Electronically Change Fill Volume in Seconds With Easy to Read LED Display

Pre-Wired Foot Pedal Operation When Auto-Cycle Control is Off

Tool-less Metering Pump Removal for Easy Cleaning

316 Stainless Metering Pump and Contact Parts

Compact Design (Dimensions on Page 4)

Color Coded Quick Nozzle Disconnects for Easy Cleaning and Priming

Auto-Cycle Timer Allows for Continuous Filling

Calibrated Stainless Steel Nozzle Rack with Patented Stainless Clamp Adjustment for Vials to 5 or More Gallon Containers

Patented Tool-Less Height Adjustment

Positive Shut-Off Closed tip Nozzle For Splashless Drip-free Filling

User Friendly Setup, Controls and Design for Quick Out-of-Box Operation



Let Fills-All® "Full-Fill Your Needs"® With Many Models Available:
Piston - Fill-to-Level - Timed Gravity - Rotary and Straight Line - Automatic and Semi-Auto Models



Model: FA-R Rotary Filler

Model: FA-G Gravity Filler



KAPS-ALL PACKAGING SYSTEMS INC.

| | |
|------------------|--------------|
| KAPS-ALL CAPPER® | FILLS-ALL® |
| FEED SYSTEMS® | ORIENTAINER® |

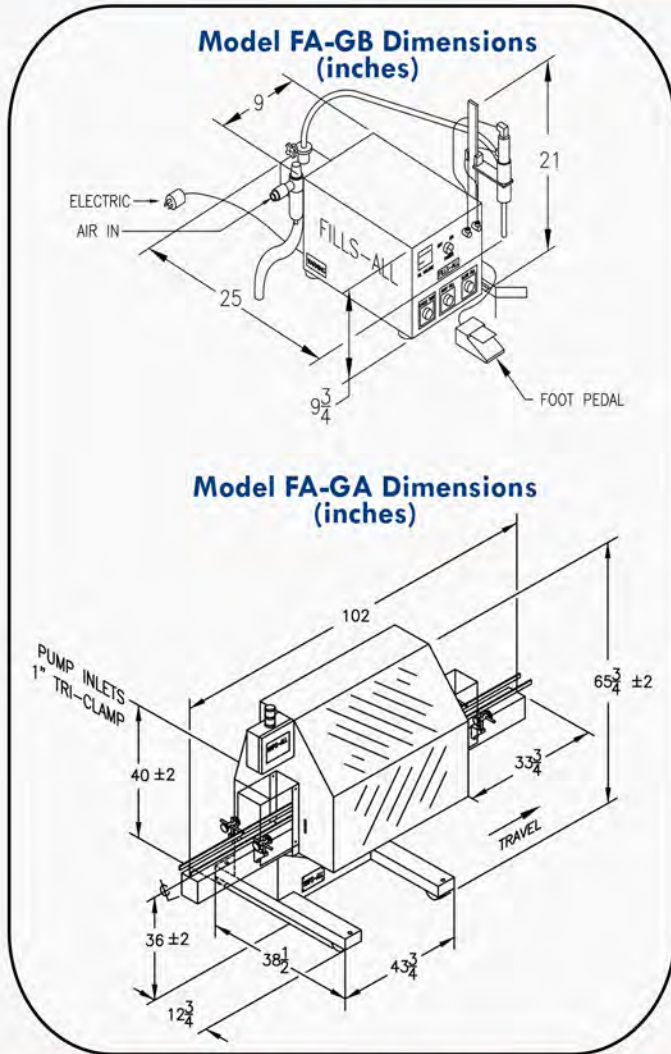


Model: VOL-A Piston Filler

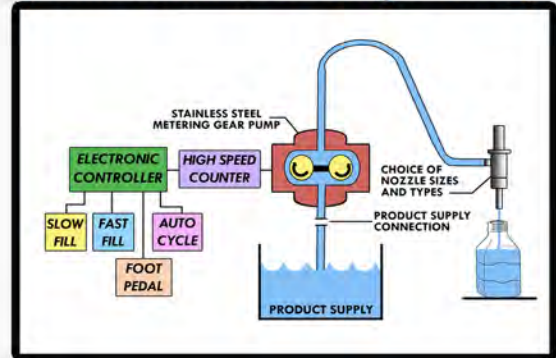


Model: VOL-32 Piston Filler

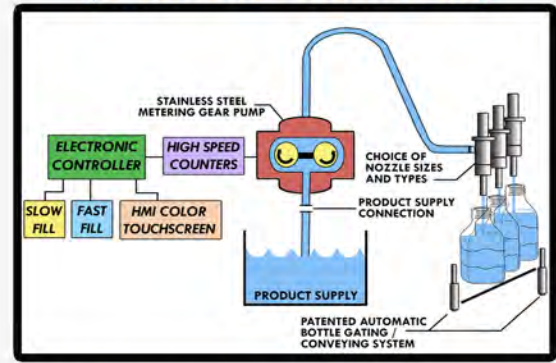
Model FA-GB and FA-GA SPECIFICATIONS:



Product Flow Model FA-GB (semi-automatic - Single Head)



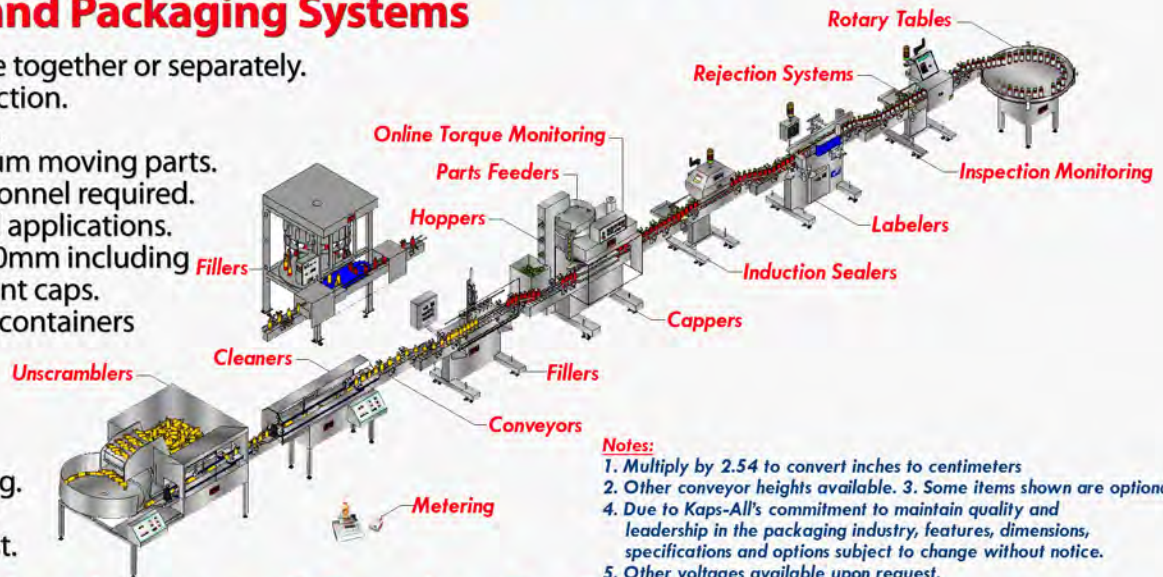
Product Flow Model FA-GA (automatic - Multi Head)



STANDARD ELECTRICAL AND PNEUMATIC REQUIREMENTS:
 FA-GB: 110-125V AC, 1 Phase, 50/60Hz, 3.5A
 FA-GA: 208-240V AC, 1 Phase, 50/60Hz, 12-13A (6 nozzles)
 FA-GB : If pneumatic Nozzle Used, <1 SCFM at 40 PSI
 FA-GA : ~1-2 SCFM at 40 PSI

Complete Bottling and Packaging Systems

- Modular machines can operate together or separately.
- Rugged stainless steel construction.
- Modular design -- expandable.
- Patented designs have minimum moving parts.
- Easy to setup -- No skilled personnel required.
- Various models available for all applications.
- Handles caps from 8mm to 120mm including pilfer evident and child resistant caps.
- Handles plastic, glass or metal containers from vials to gallons.
- Handles all shapes, heights and diameter containers.
- Turnkey systems from unscrambling, to accumulating.
- 2 year guarantee - the longest in the industry, at no extra cost.



- Notes:**
1. Multiply by 2.54 to convert inches to centimeters
 2. Other conveyor heights available.
 3. Some items shown are optional.
 4. Due to Kaps-All's commitment to maintain quality and leadership in the packaging industry, features, dimensions, specifications and options subject to change without notice.
 5. Other voltages available upon request.

Developers and Manufacturers of Complete Bottling and Packaging Systems

KAPS-ALL® Bottle Cappers and Tighteners ■ FILLS-ALL® Automatic and Semi-Automatic Liquid Fillers ■ FEED SYSTEMS® Rotary Parts Feeders
 ■ CLEAN-N-VAC® Bottle Cleaners ■ LABEL-VANTAGE® Labelers ■ ORIENTAINER® Bottle Orienters and Unscramblers ■ CONVEYS-ALL®
 Conveying Systems ■ EASY-KAP® Hand Cappers - Ball Placers ■ Bulk Loaders ■ Accumulators ■ Bottle Carriers ■ SMART-SEAL® Cap Sealers
 ■ Electronic Torque metering and Monitoring ■ Detect and Reject Defects® Inspection Systems ■ Custom Packaging Machinery

-4- © Copyright 2014 Kaps-All Packaging Systems All Rights Reserved. - US and Foreign Patents, others pending. - Bulletin #1014

CALL US TODAY AT 631-727-0300 - VISIT OUR WEBSITE AT WWW.KAPSALL.COM