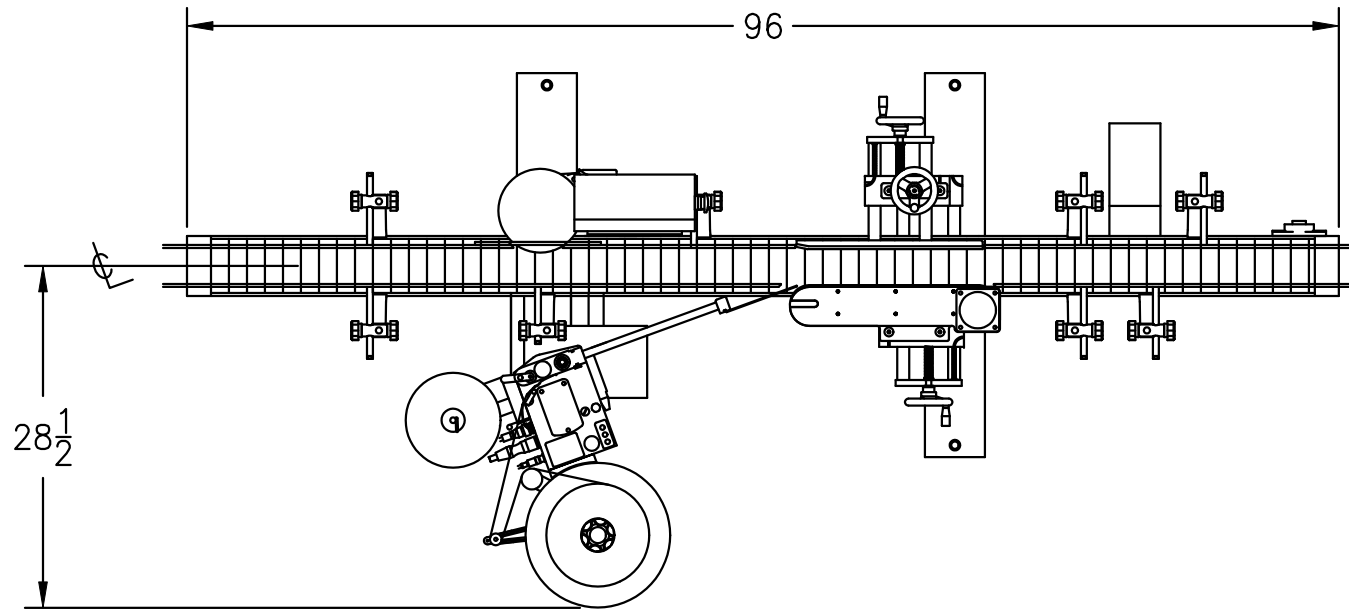


This document is the property of Auto-Mate Technologies, LLC and contains proprietary and confidential information which must not be duplicated, used or disclosed other than as expressly authorized by Auto-Mate Technologies, LLC

107-028

SHEET 1 OF 1



UNLESS NOTED OTHERWISE, ALL DIMENSIONS ARE IN INCHES

TOLERANCES (EXCEPT AS NOTED)	REVISIONS			AUTO-MATE TECHNOLOGIES, LLC RIVERHEAD, N.Y. AUTOMATE LABELER MODELS LW-40 AND LC-40		
	NO.	DATE	BY			
DECIMAL ±	1			DRAWN BY PC	SCALE 1/16"=1"	SHEET 1 OF 1
FRACTIONAL ±	2					
ANGULAR ±	3			0.0625 P	SIZE	REV.
	4			DATE 10/23/2008	A	0
	5					DRAWING NO. 107-028