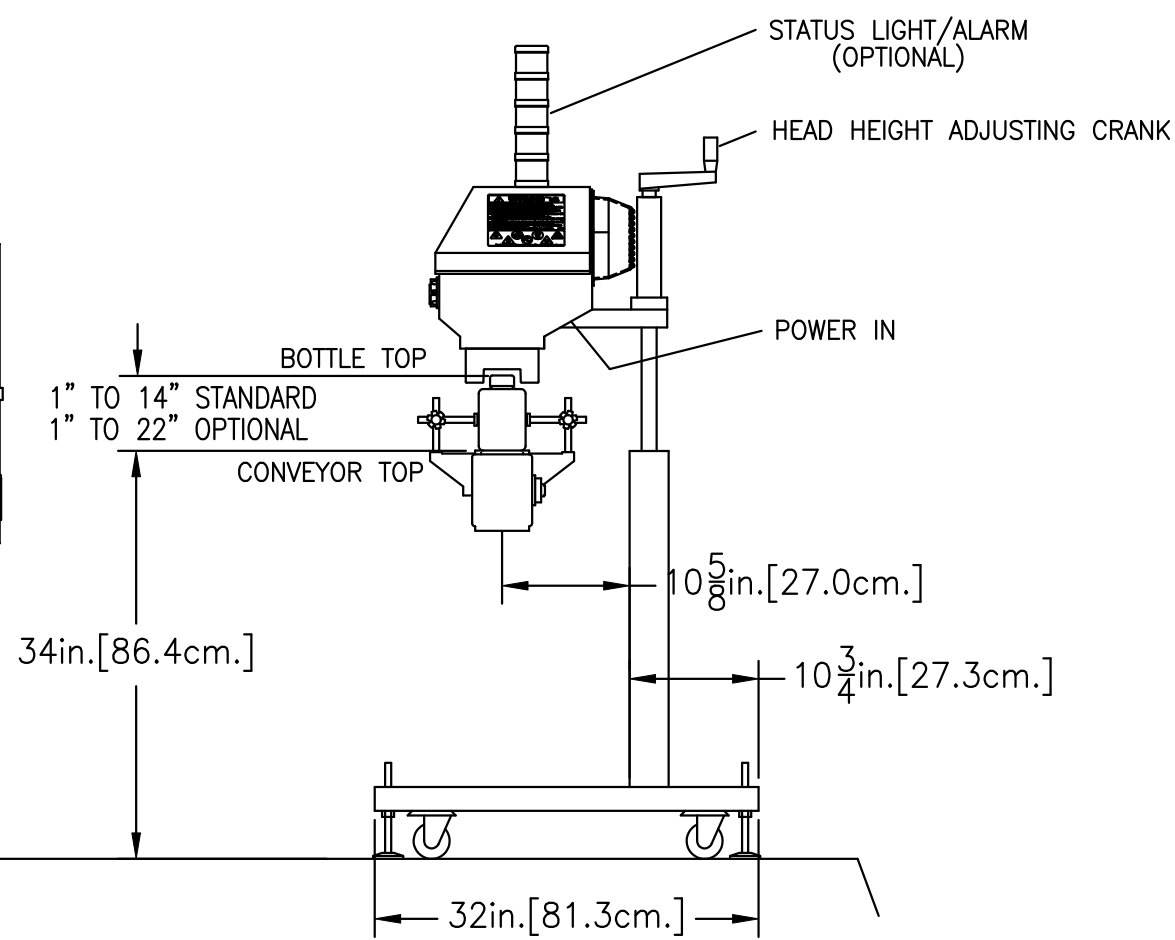


FRONT VIEW



RIGHT SIDE VIEW

* THIS DIMENSION BASED ON A 6 IN. [15.2 CM.] TALL CONTAINER ON A 34 IN. [86.4 CM.] HIGH CONVEYOR.
 OPTIONAL STATUS LIGHT/ALARM WILL INCREASE THE OVERALL HEIGHT.



INDICATES LOCATION OF WARNING STICKERS (3 PLACES)

REVISIONS			AUTO-MATE TECHNOLOGIES, LLC RIVERHEAD, N.Y.				
NO.	DATE	BY	HEAT INDUCTION UNIT AM-500				
1							
2							
3			DRAWN BY	PC	SCALE	1/16"=1"	SHEET 1 OF 1
4			0.0625	P	SIZE	REV.	DRAWING NO.
5			DATE	10/12/2005	B	0	107-019